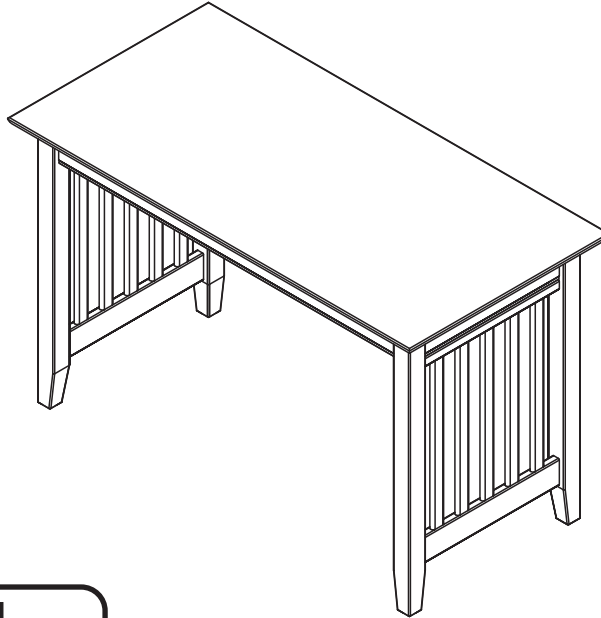


ASSEMBLY INSTRUCTIONS

Before assembling your Work table, please read through these instructions carefully. Familiarize yourself with the different parts.

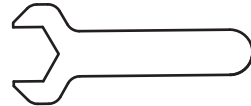
ATTENTION! If you receive a damaged or defective item, please contact afifurnishings at customerservice@afifurnishings.com 1-800-955-3726



| CODE | ITEM |
|--------|---------|
| DK-MSN | H-7919X |

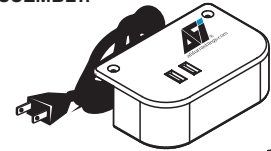
NOTE: WE INCLUDE SPARE HARDWARE IN CASE DAMAGE OCCURS DURING ASSEMBLY.

A Flat washer - 8 pcs
Spare - 2 pcs



C Hexagon wrench - 1 pc

E Wood Screw - 4 pcs
Spare - 1 pc



F Surface Mount Charger - 1 Set
Screw 1/2"-2 pcs
Spare-1 pc

B Hexagon nut - 8 pcs
Spare - 2 pcs



D Wooden Dowel - 4 pcs
Spare - 1 pc



PARTS LIST

01 TOP PANEL

1 PC

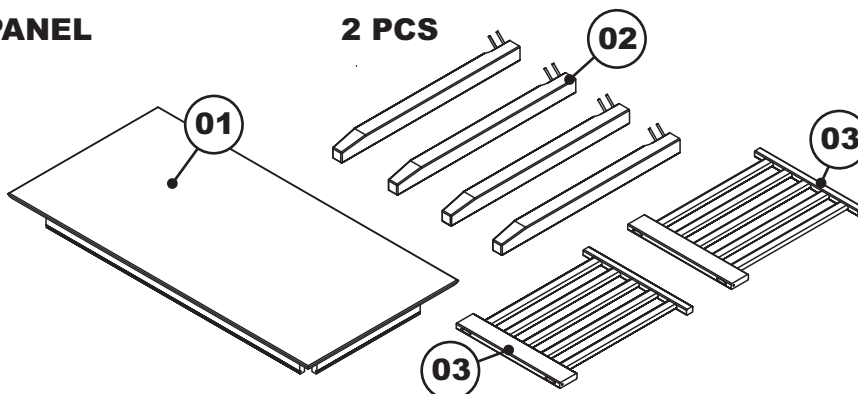
02 LEG

4 PCS

03 SIDE PANEL

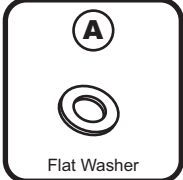
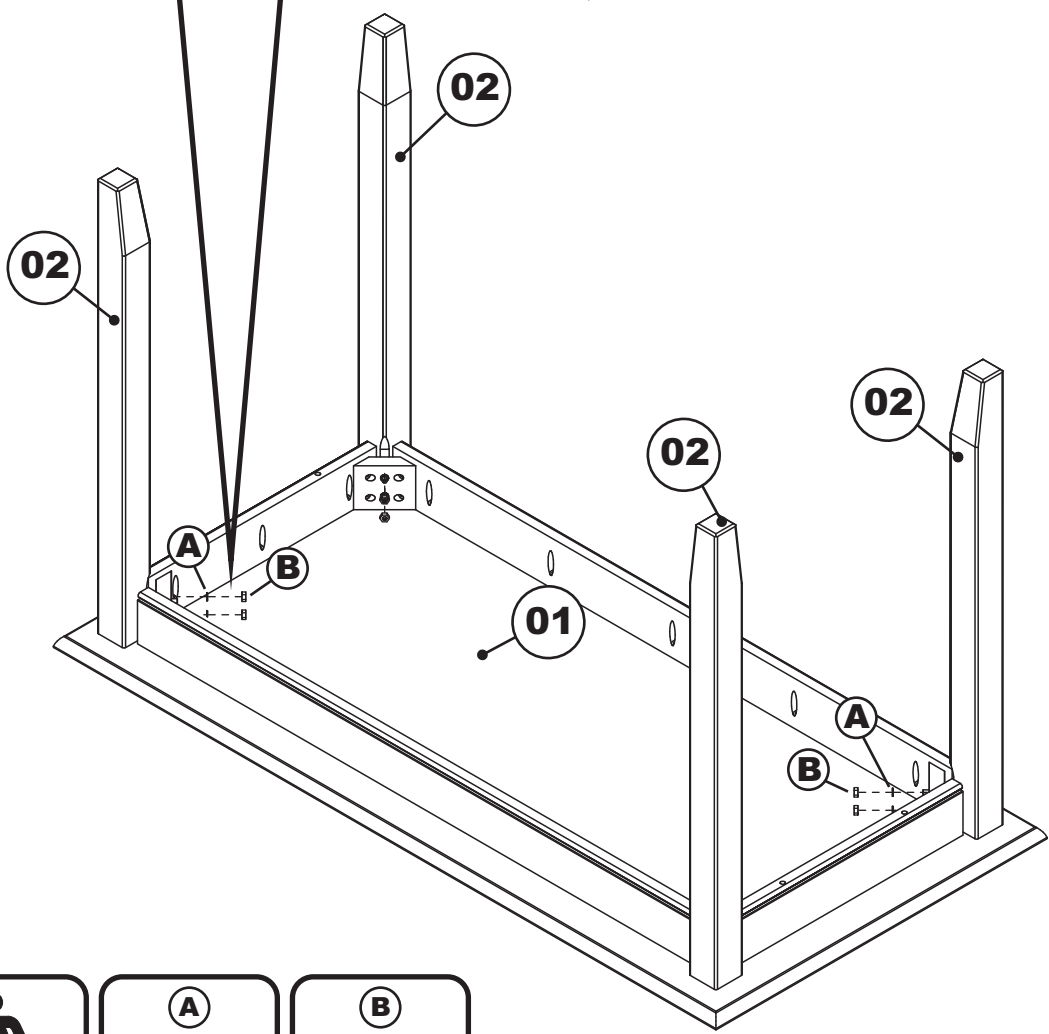
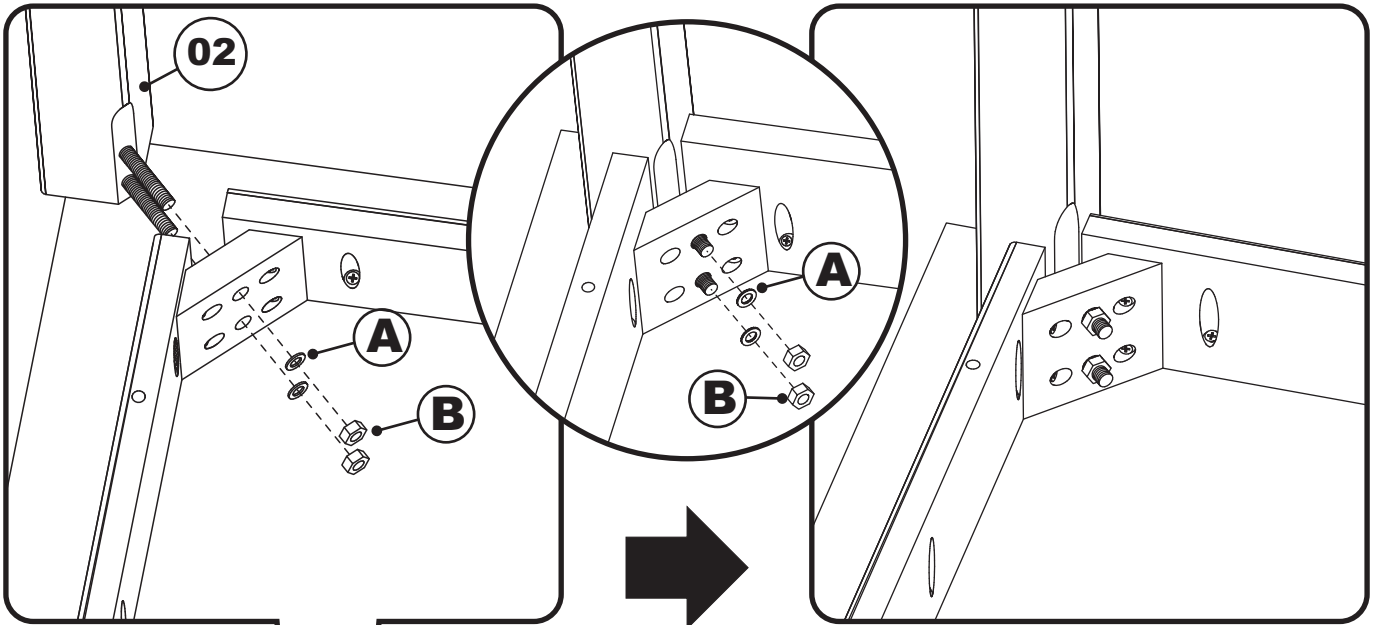
2 PCS

PO:



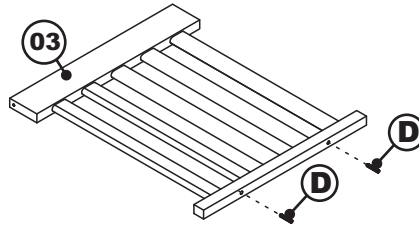
Step 1

Attach the legs (02) to the top panel (01) as shown below using flat washers (A) and hexagon nuts (B), tighten with hexagon wrench (C).



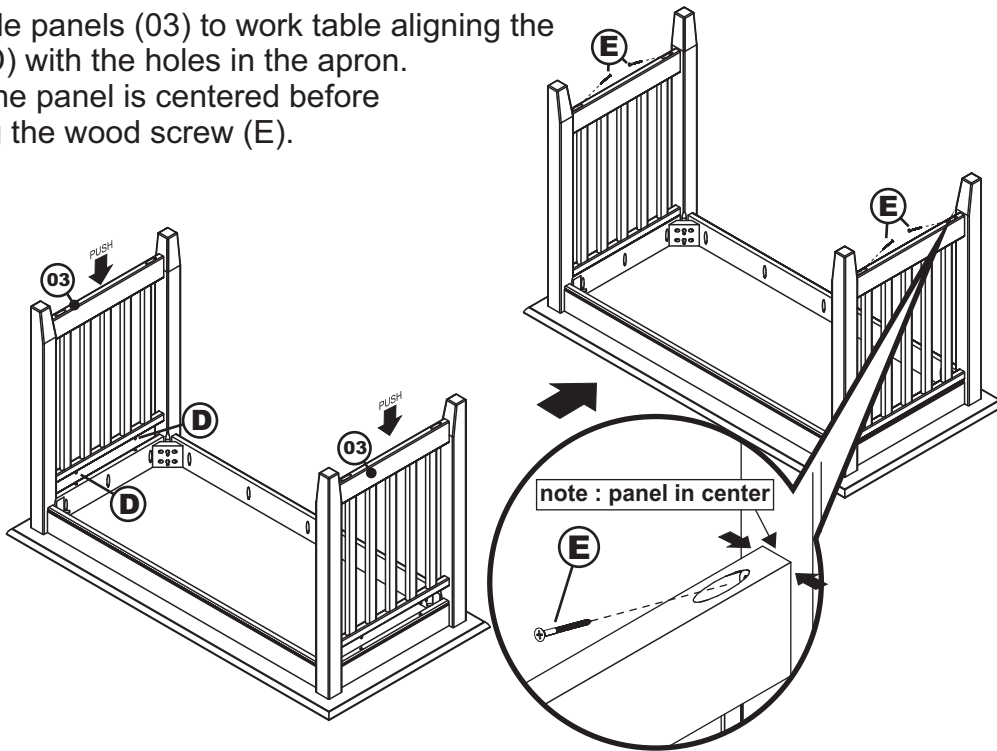
Step 2

Install wooden dowels (D) into the locator holes on (03) as shown below. Repeat with the other panel.

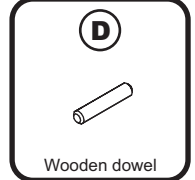


Step 3

Attach side panels (03) to work table aligning the dowels (D) with the holes in the apron. Be sure the panel is centered before tightening the wood screw (E).



Adult assembly



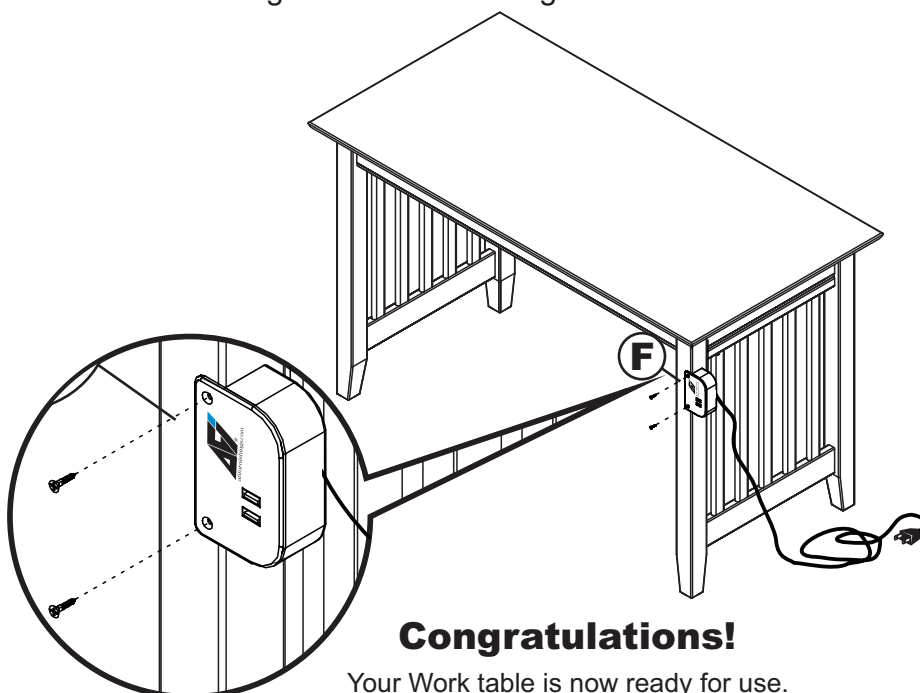
Wooden dowel



Wood screw

Step 4

Place USB charging station flush against the product, nearest an electrical outlet. Fasten using 1/2" screws and tighten.



Congratulations!

Your Work table is now ready for use.

We recommend that you recheck that all screws are tight, and that all parts are secure before use and periodically to ensure lasting Safety.