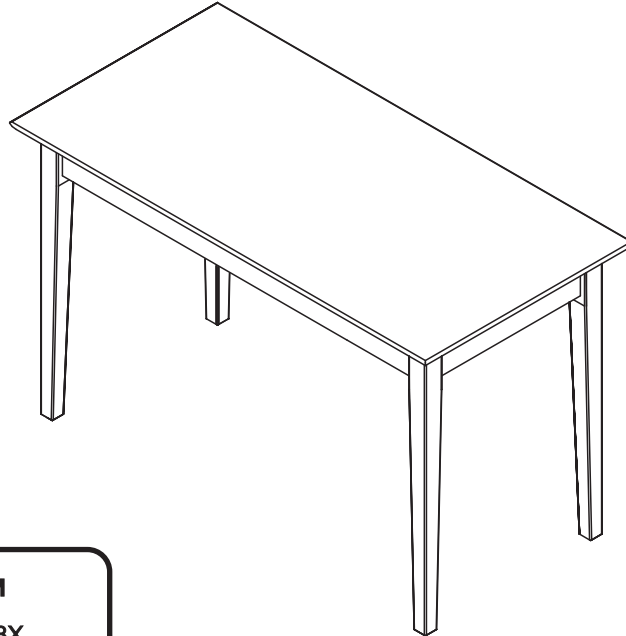


## ASSEMBLY INSTRUCTIONS

Before assembling your work table, please read through these instructions carefully. Familiarize yourself with the different parts.

**ATTENTION!** If you receive a damaged or defective item, please contact afifurnishings at customerservice@afifurnishings.com or 1-800-955-3726



CODE	ITEM
DK-SHK	H-7918X

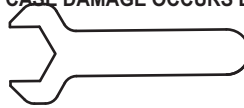
NOTE: WE INCLUDE SPARE HARDWARE IN CASE DAMAGE OCCURS DURING ASSEMBLY.



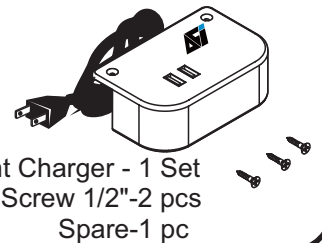
**A** Flat washer - 8 pcs  
Spare - 2 pcs



**B** Hexagon nut - 8 pcs  
Spare - 2 pcs



**C** Hexagon wrench - 1 pc



**D** Surface Mount Charger - 1 Set  
Screw 1/2"-2 pcs  
Spare-1 pc

## PARTS LIST

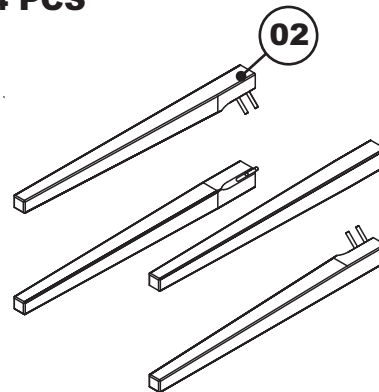
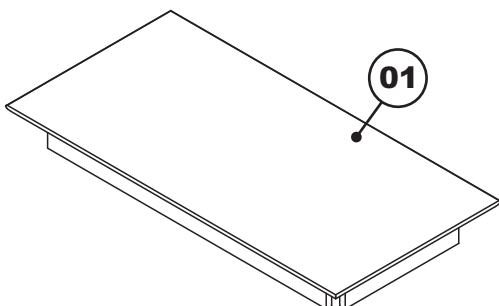
**01** TOP PANEL

**1 PC**

**02** LEG

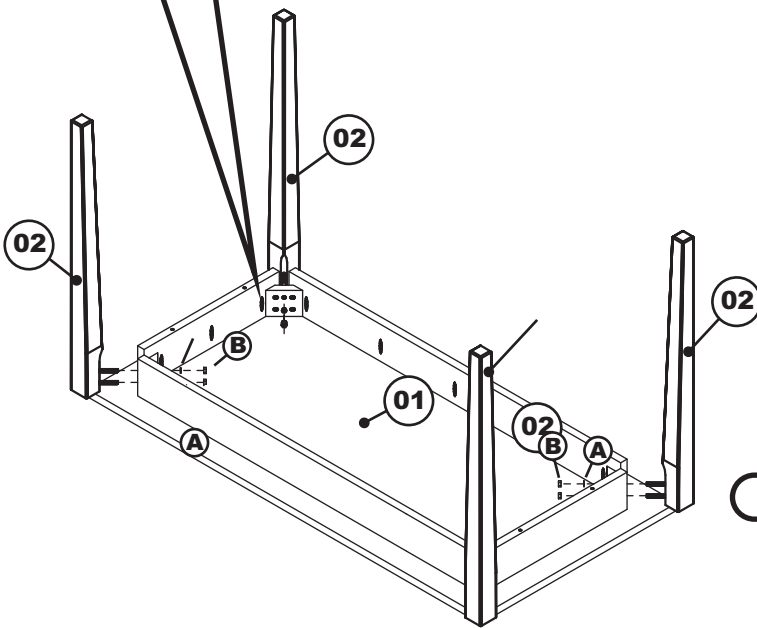
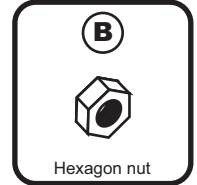
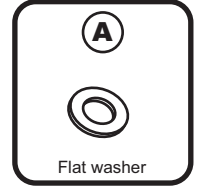
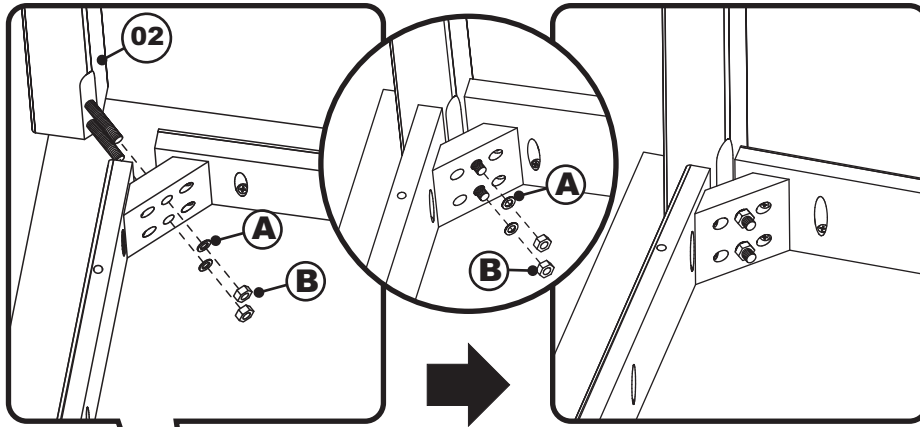
**4 PCS**

PO:



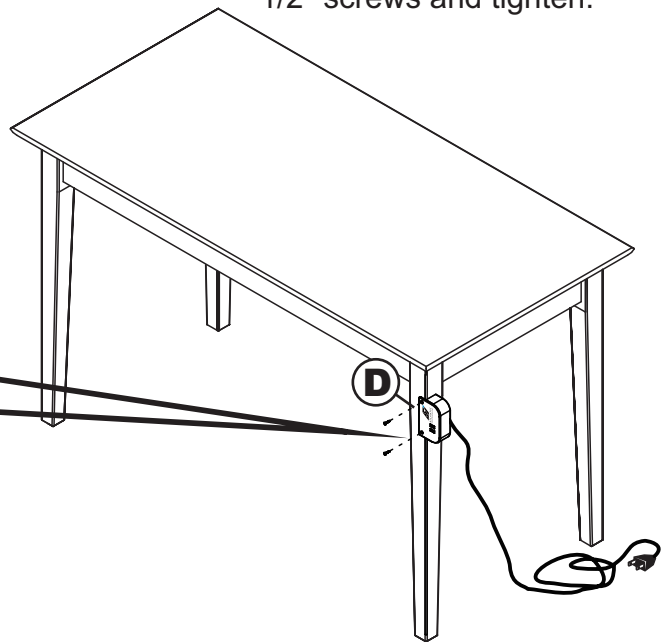
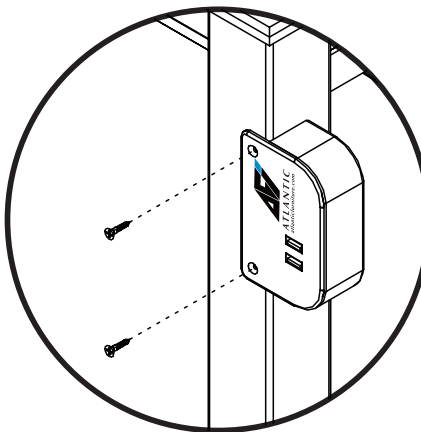
### Step 1

Attach the legs (02) to the top panel (01) as shown below using flat washers (A) and hexagon nuts (B), tighten with hexagon wrench (C).



### STEP 2

Place USB charging station flush against the product, nearest an electrical outlet. Fasten using 1/2" screws and tighten.



### Congratulations!

Your Work table is now ready for use.  
We recommend that you recheck that all screws are tight,  
and that all parts are secure before use and periodically to ensure lasting safety.