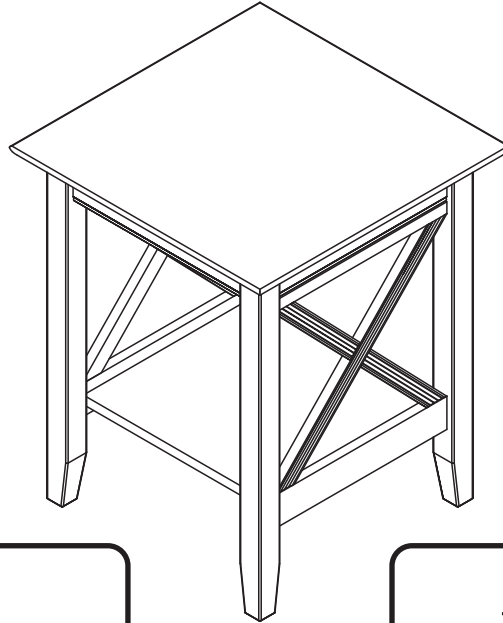


## ASSEMBLY INSTRUCTIONS

Before assembling your printer stand, please read through these instructions carefully and familiarize yourself with the different parts.

**ATTENTION!** If you receive a damaged or defective item, please contact afifurnishings at customerservice@afifurnishings.com or 1-800-955-3726



**PO:**

**CODE**  
TB-PR-LXI

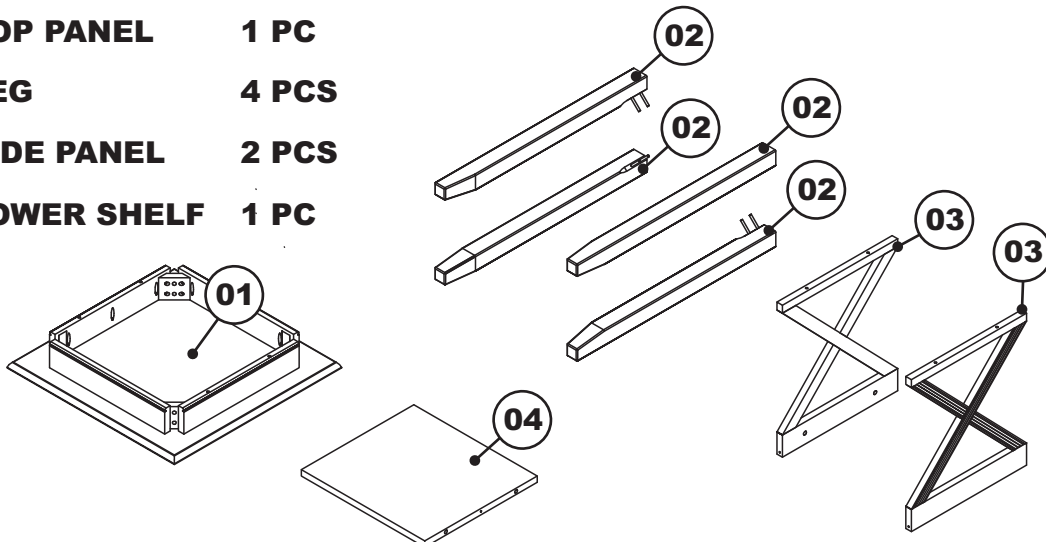
**ITEM**  
H-7907X

NOTE: WE INCLUDE SPARE HARDWARE IN CASE DAMAGE OCCURS DURING ASSEMBLY.

- |   |   |  |
|---|---|--|
| <p><b>A</b> Flat washer - 8 pcs<br/>Spare - 2 pcs</p> | <p><b>C</b> Hexagon wrench - 1 pc</p>                               | <p><b>E</b> Wooden dowel 3/8 X 1 1/4" - 4 pcs<br/>Spare - 1 pc</p> |
| <p><b>B</b> Hexagon nut - 8 pcs<br/>Spare - 2 pcs</p> | <p><b>D</b> Wooden dowel 1/4" X 1 1/4" - 4 pcs<br/>Spare - 1 pc</p> | <p><b>F</b> Wood screw - 6 pcs<br/>Spare - 1 pc</p>                |

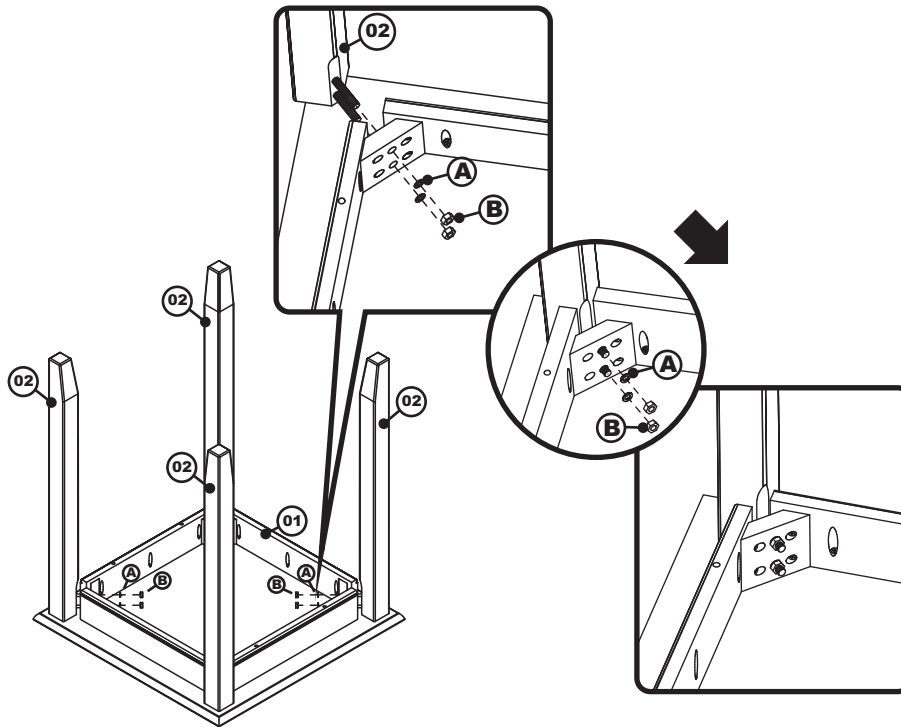
## PARTS LIST

- |           |                    |              |
|-----------|--------------------|--------------|
| <b>01</b> | <b>TOP PANEL</b>   | <b>1 PC</b>  |
| <b>02</b> | <b>LEG</b>         | <b>4 PCS</b> |
| <b>03</b> | <b>SIDE PANEL</b>  | <b>2 PCS</b> |
| <b>04</b> | <b>LOWER SHELF</b> | <b>1 PC</b>  |



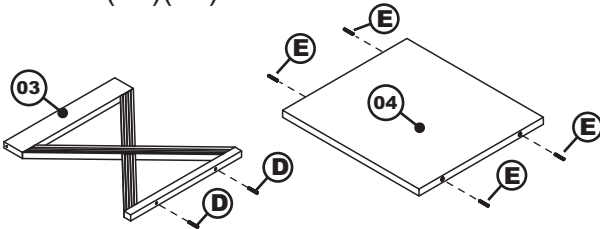
## STEP 1

Attach the legs (02) to the top panel (01) as shown below using flat washers (A) and hexagon nuts (B), tighten with hexagon wrench (C).



## STEP 2

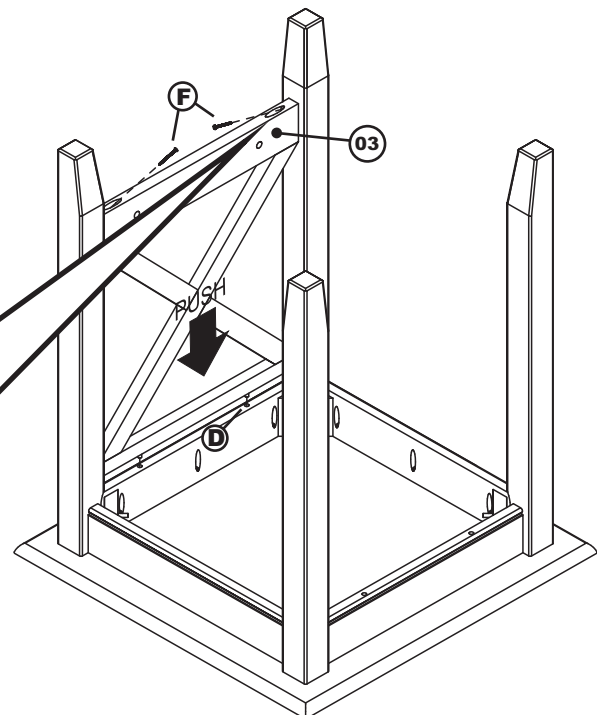
Install wooden dowels (D)(E) into the locator holes on (03)(04) as shown below.



Repeat with the other panel.

## STEP 3

Attach first side panel (03) to printer stand aligning the dowels (D) with the holes in the apron. Be sure the panel is centered before tightening the wood screw (F).

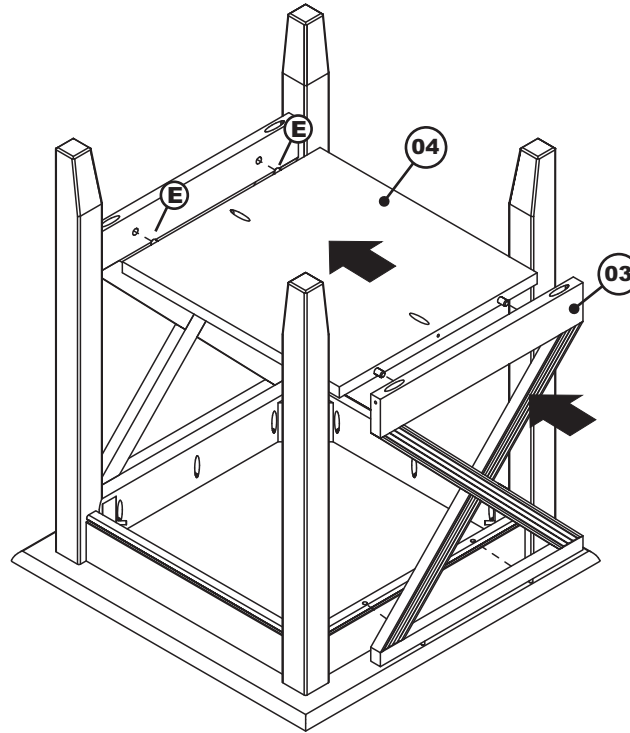


note : panel in center



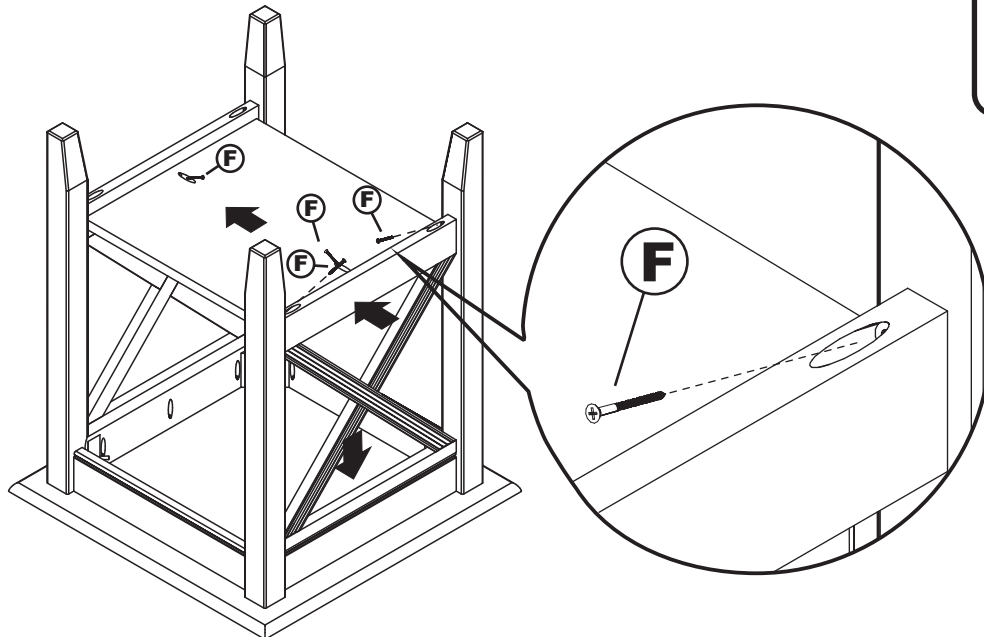
## STEP 4

Attach second side panel (03) the same as the first but place the lower shelf (04) in position by aligning the wooden dowels (E) with the holes in the side panel.



## STEP 5

Apply pressure to eliminate any gap between the lower shelf and the side panel and fix in place using wood screw (F).



## Congratulations!

Your Printer stand is now ready for use.

To ensure lasting safety, we recommend that you periodically check that all screws are tight and all parts are secure.