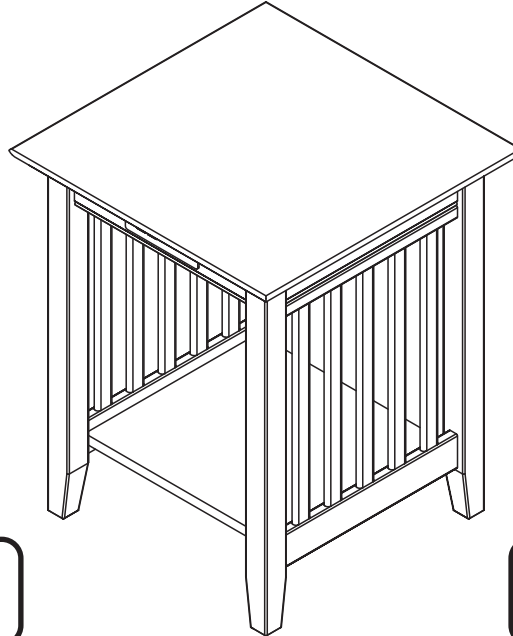
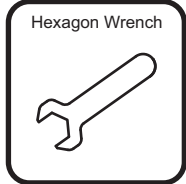


ASSEMBLY INSTRUCTIONS

Before assembling your printer stand, please read through these instructions carefully and familiarize yourself with the different parts.

ATTENTION! If you receive a damaged or defective item, please contact afifurnishings at customerservice@afifurnishings.com 1-800-955-3726



PO :

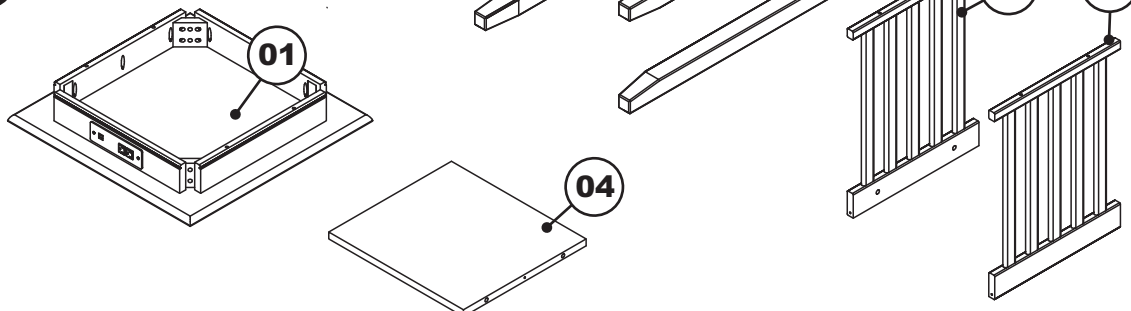
CODE	ITEM
TB-PR-MSN	H-7906X

NOTE: WE INCLUDE SPARE HARDWARE IN CASE DAMAGE OCCURS DURING ASSEMBLY.

- | | | |
|---|---|--|
| <p>A Flat washer - 8 pcs
Spare - 2 pcs</p> | <p>C Hexagon wrench - 1 pc</p> | <p>E Wooden dowel 3/8 X 1 1/4" - 4 pcs
Spare - 1 pc</p> |
| <p>B Hexagon nut - 8 pcs
Spare - 2 pcs</p> | <p>D Wooden dowel 1/4" X 1 1/4" - 4 pcs
Spare - 1 pc</p> | <p>F Wood screw - 6 pcs
Spare - 1 pc</p> |
| | | <p>G Cable Clip - 1 pc</p> |

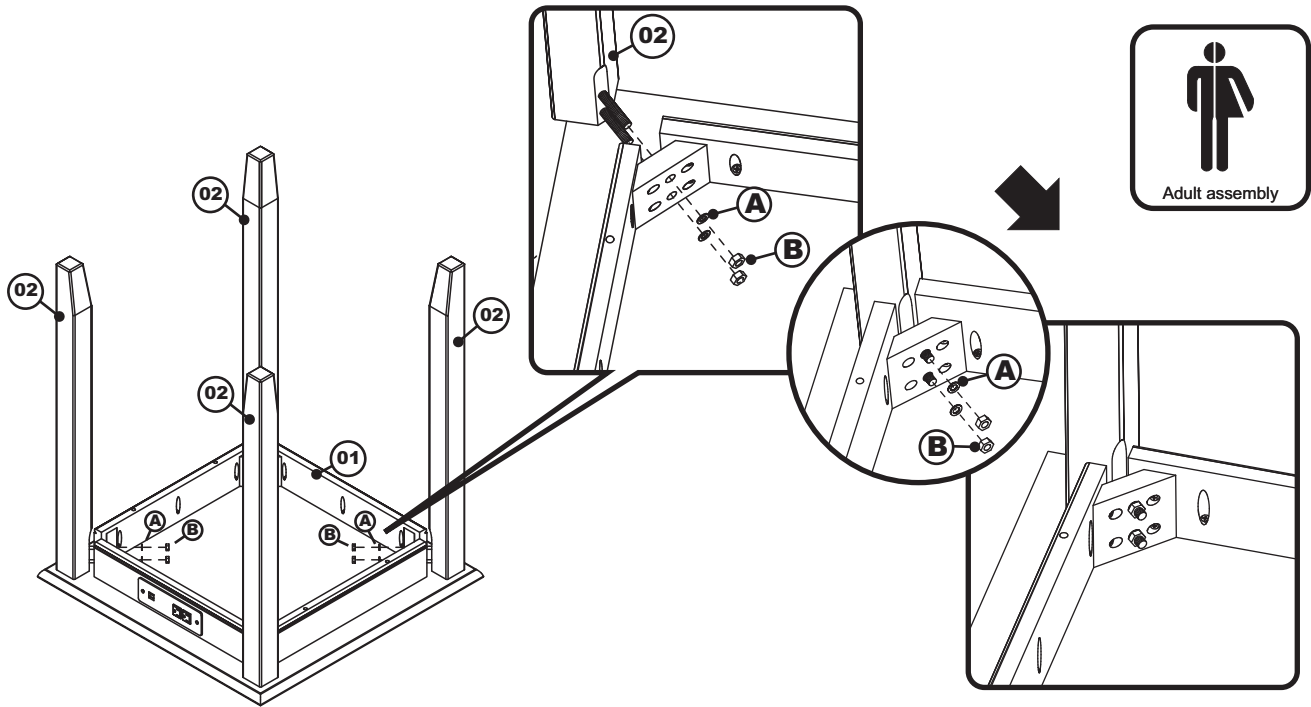
PARTS LIST

- | | | |
|-----------|--------------------|--------------|
| 01 | TOP PANEL | 1 PC |
| 02 | LEG | 4 PCS |
| 03 | SIDE PANEL | 2 PCS |
| 04 | LOWER SHELF | 1 PC |



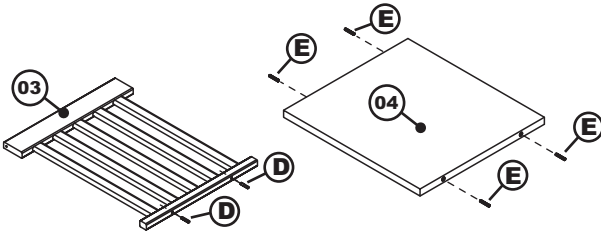
Step 1

Attach the legs (02) to the top panel (01) using flat washers (A) and hexagon nuts (B), tighten with hexagon wrench (C), as shown below.



STEP 2

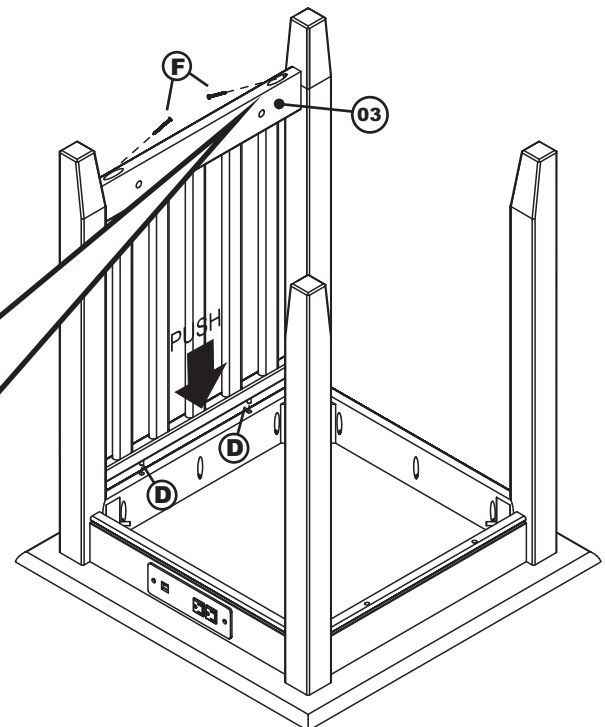
Install wooden dowels (D) and (E) into the locator holes on (03) and (04) as shown below.



Repeat with the other panel.

STEP 3

Attach first side panel (03) to printer stand aligning the dowels (D) with the holes in the apron. Be sure the panel is centered before tightening the wood screw (F).



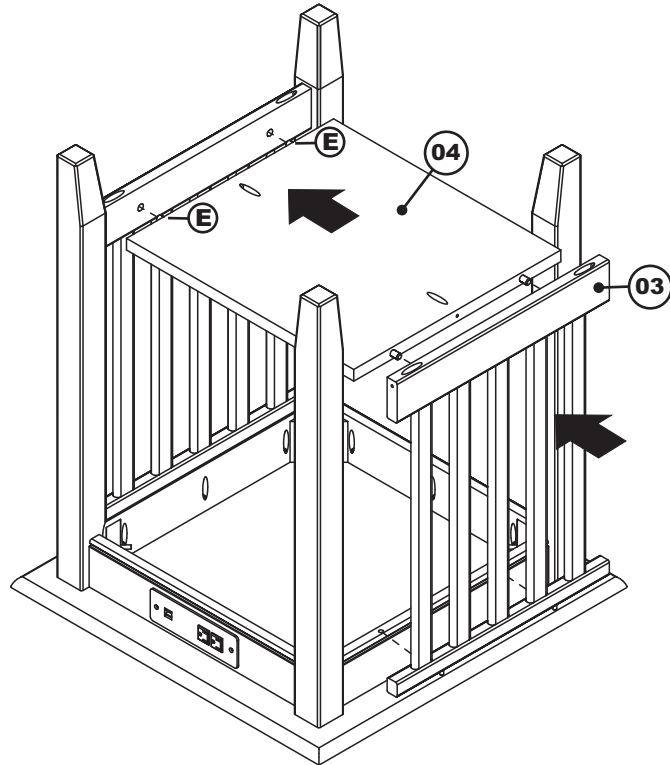
note: panel in center



Adult assembly

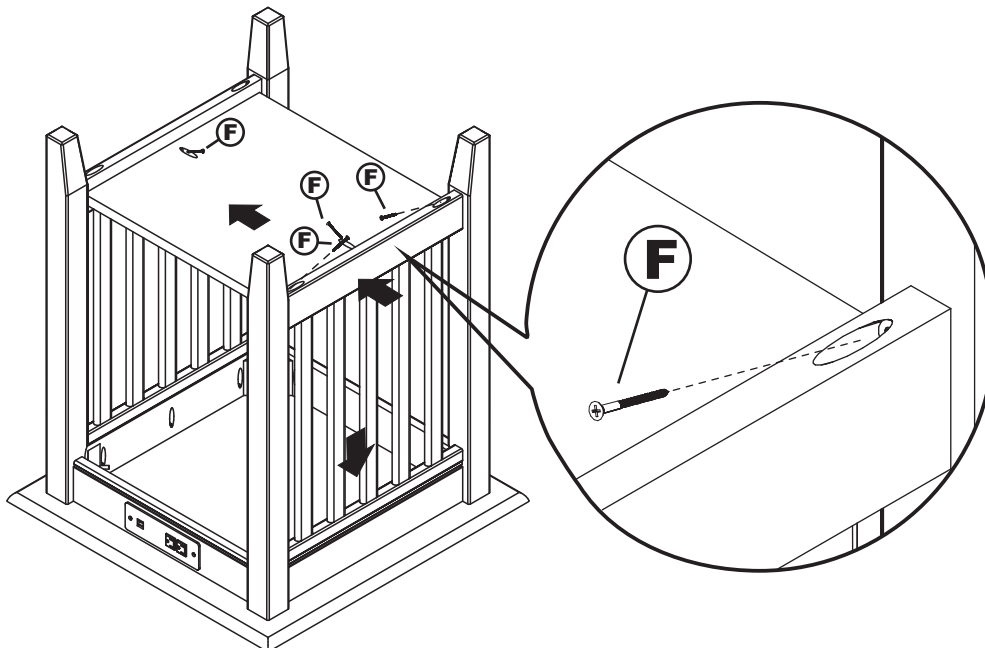
Step 4

Attach second side panel (03) the same as the first but place the lower shelf (04) in position by aligning the wooden dowels (E) with the holes in the side panel.



Step 5

Apply pressure to eliminate any gap between the lower shelf and the side panel and fix in place using wood screw (F).



Congratulations!

Your Printer stand is now ready for use.

To ensure lasting safety, we recommend that you periodically check that all screws are tight and all parts are secure.