

## ASSEMBLY INSTRUCTIONS

Before assembling your headboard, please read through these instructions carefully and familiarize yourself with the different parts.

**ATTENTION!** If you receive a damaged or defective item, please contact afifurnishings at [customerservice@afifurnishings.com](mailto:customerservice@afifurnishings.com) or 1-800-955-3726



### PARTS LIST

- ① HEADBOARD PANEL 2 PCS
- ② LEFT POST 1 PC
- ③ RIGHT POST 1 PC
- ④ TOP RAIL 1 PC
- ⑤ MID RAIL 1 PC
- ⑥ BOTTOM RAIL 1 PC

Instructions apply for bed sizes  
TWIN > FULL > QUEEN

### HARDWARE

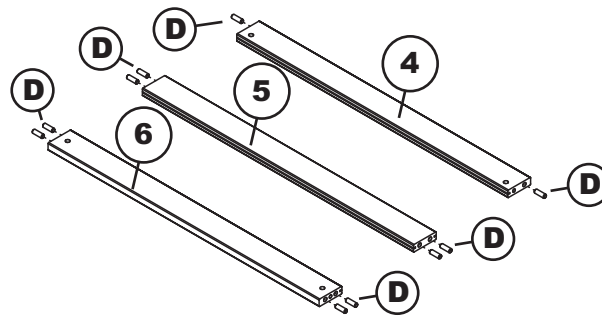
- Ⓐ JCB M6 X 110mm - 4 pcs  
Spare - 1 pc
  - Ⓑ Barrel Nut - 4 pcs  
Spare - 1 pc
  - Ⓒ JCB M8 X 15mm (5/8") - 4 pcs  
Spare - 1 pc
  - Ⓓ Wood Dowel - 10 pcs  
Spare - 1 pc
  - Ⓔ Allen wrench - 1pc  
Spare - 1pc
- Assembly headboard to open bed frame*

- HARDWARE FOR METAL BED FRAME
- Ⓕ JCB M6 X 25mm (1") - 4 pcs  
Spare - 1 pc
  - Ⓖ Flat washer - 4 pcs  
Spare - 1 pc
  - Ⓗ Split washer - 4 pcs  
Spare - 1 pc

NOTE: WE INCLUDE SPARE HARDWARE IN CASE DAMAGE OCCURS DURING ASSEMBLY.

### Step 1

Insert all wooden dowels (D) into the locator holes on (4)(5) and(6) as shown below.



Adult assembly

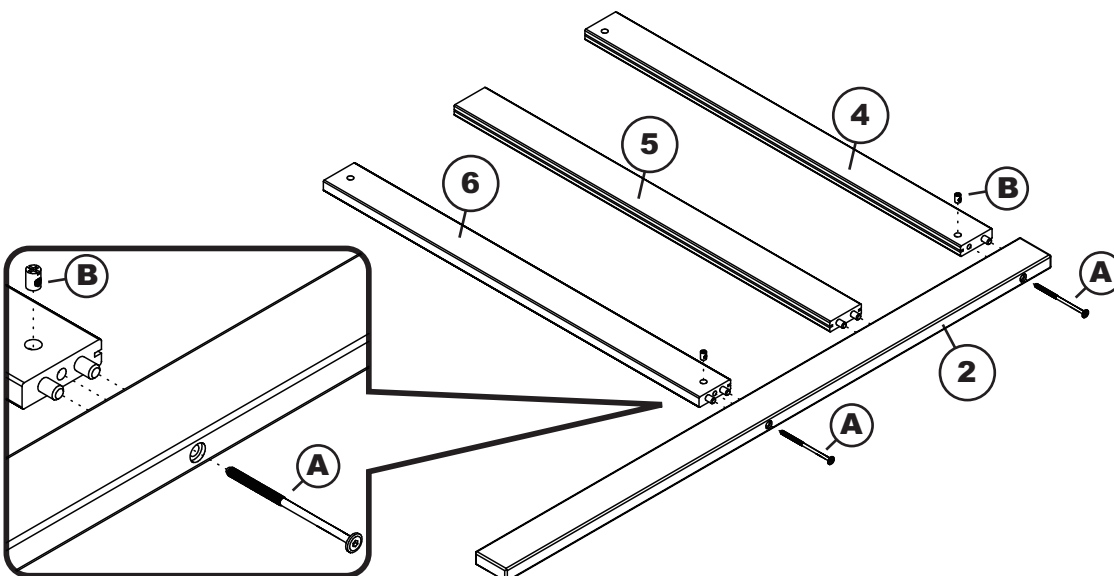
Ⓓ



Wood Dowel

### Step 2

Lay the left post (2) bracket face down on smooth surface. Connect top rail (4), mid rail (5) and bottom rail (6) as shown below, using JCB M6 X 110mm (A) and barrel nut (B). Tighten with the Allen wrench (E).



Adult assembly

Ⓐ



JCB M6 X 110mm

Ⓑ



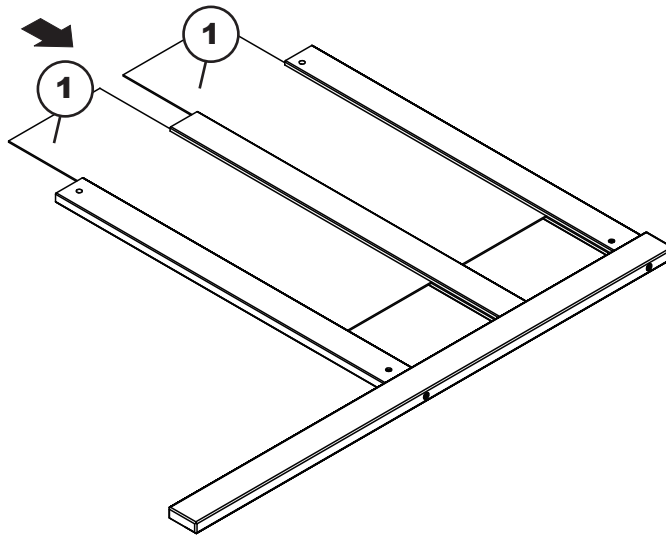
Barrel Nut

PO:

CODE	ITEM	ITEM	ITEM
HB-ISL-NHO	G-11912X	G-11913X	G-11914X

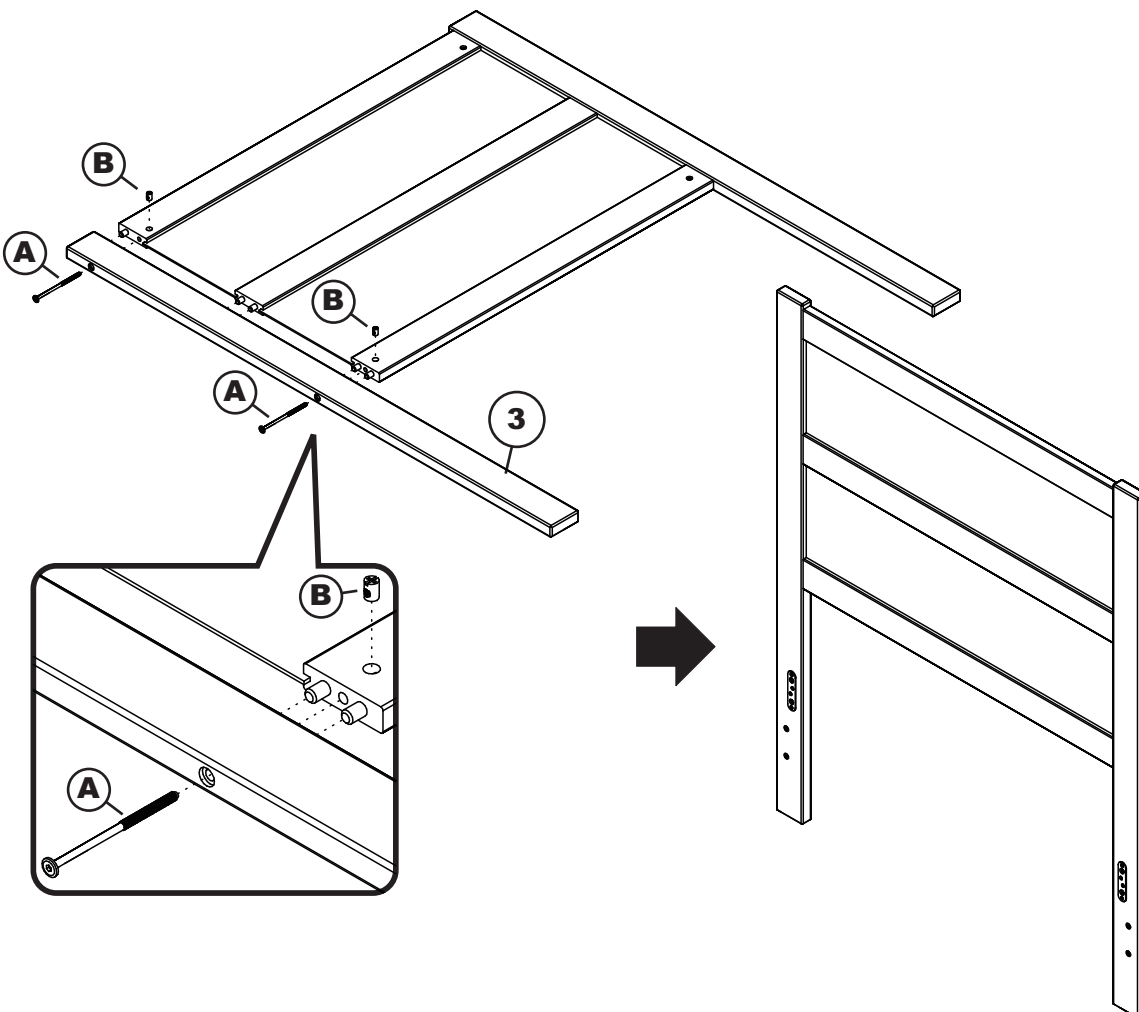
**Step 3**

Guide the headboard panel (1) in carefully so that it won't jump out of its grooves. Be sure it fits fully into the groove at the end (in the post) before fitting the other post.

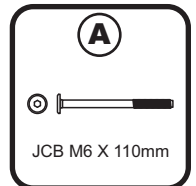


**Step 4**

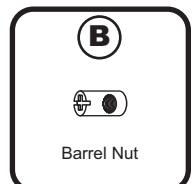
Attach the right post (3) to headboard assembly as shown below, using JCB M6 X 110mm (A) and barrel nut (B). Tighten with Allen wrench (E)



Adult assembly



JCB M6 X 110mm



Barrel Nut

**FOR BED FRAME ASSEMBLY** follow assembly instructions included with your bed frame. If you purchased a wood headboard to attach to metal bed frame, please refer to page 3.

**ASSEMBLY INSTRUCTIONS**

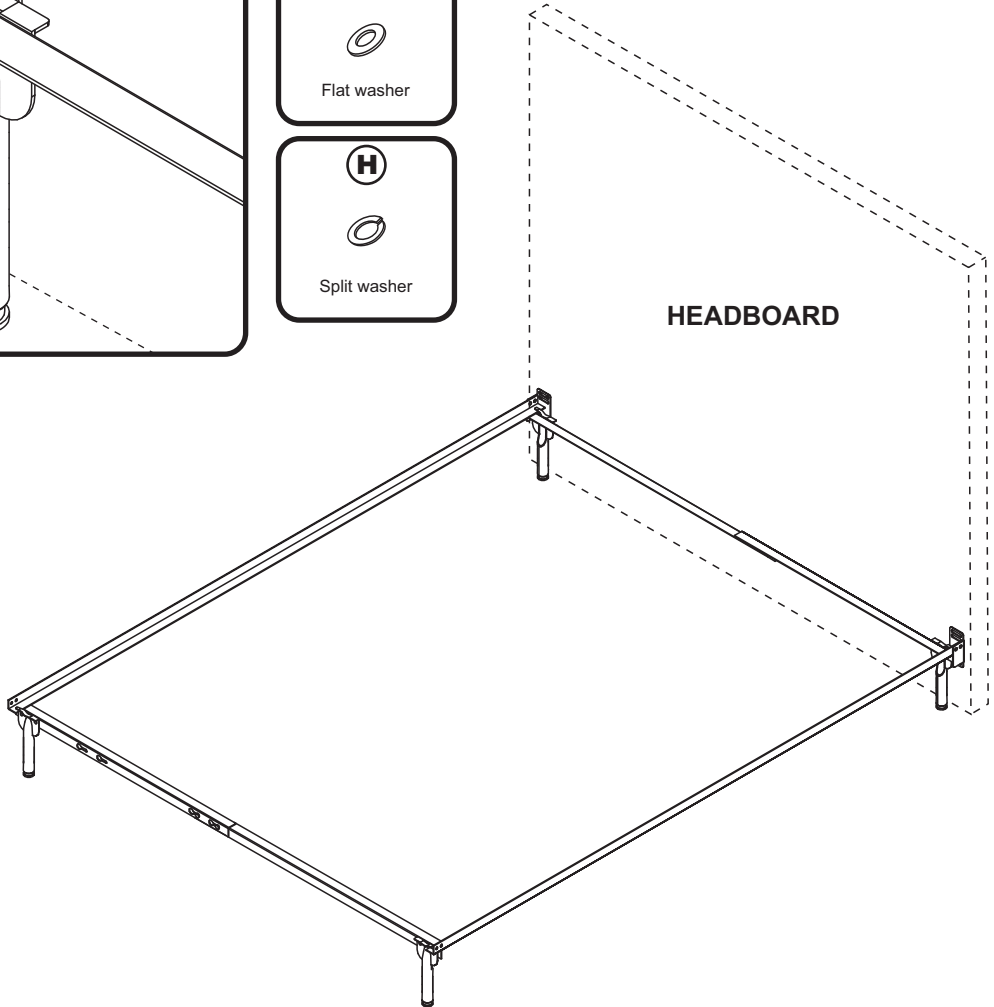
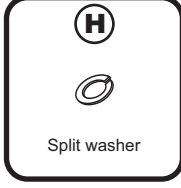
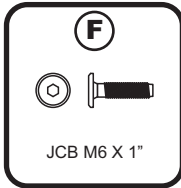
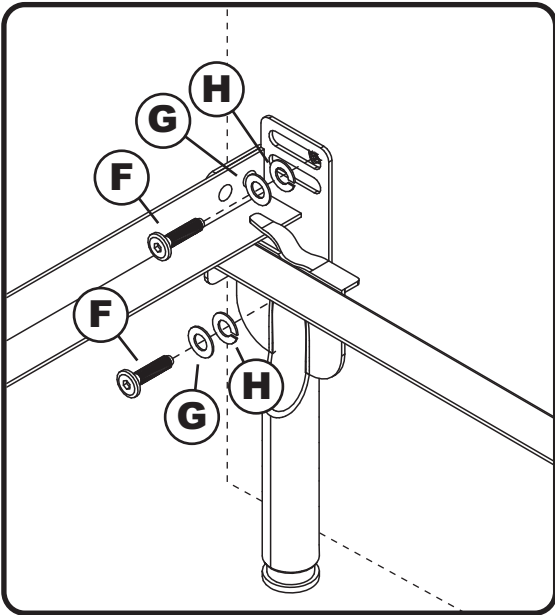
Before assembling your bed, please read through these instructions carefully and familiarize yourself with the different parts.

Instructions apply for bed sizes  
**Twin > Full > Queen**



Metal bed frames are sold separately from wood headboards. The hardware shown on this page is supplied with your wood headboard for attaching the bed frame to the headboard. The metal bed frame is supplied with its own assembly instructions and hardware.

**Step 1** Attach the headboard assembly to the metal bed frame using JCB M6 X 1" (F), flat washer (G), and split washer (H) then tighten with Allen wrench (E) as shown below.



**Congratulations!**

Your bed is now ready for use.  
To ensure lasting safety, we recommend that you periodically check that all screws are tight and all parts are secure.

## TWIN>TWIN XL ASSEMBLY INSTRUCTIONS

Before assembling your bed frame, please read through these instructions carefully and familiarize yourself with the different parts.



**ATTENTION!** If you receive a damaged or defective item, please contact afifurnishings at [customerservice@afifurnishings.com](mailto:customerservice@afifurnishings.com) or 1-800-955-3726

### PARTS LIST

- ① **FOOT RAIL 1 PC**
- ② **LEFT LEG 1 PC**
- ③ **RIGHT LEG 1 PC**
- ④ **SIDE RAIL 2 PCS**
- ⑤ **SLAT KIT 2 SETS**

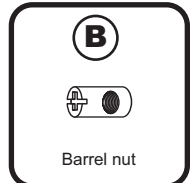
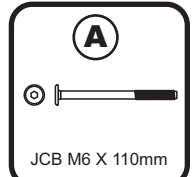
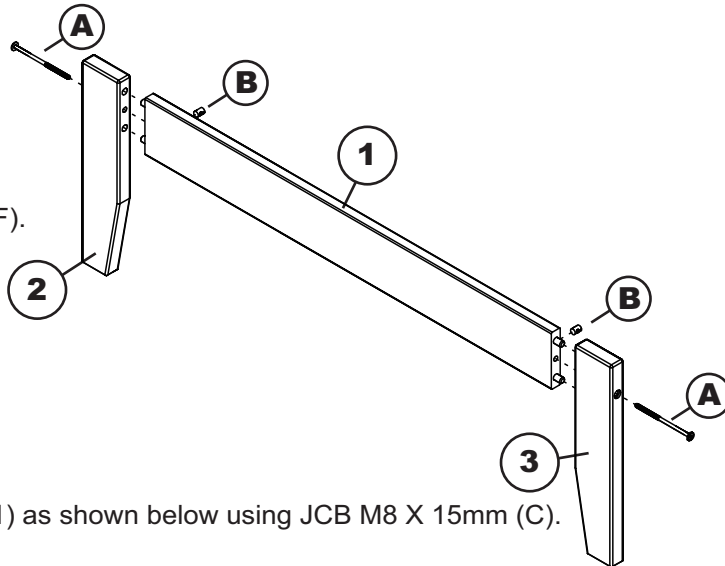
### HARDWARE

- Ⓐ JCB M6 X 110mm (4 3/8") - 2 pcs  
Spare - 1 pc
- Ⓑ Barrel nut - 2 pcs
- Ⓒ JCB M8 X 15mm ( 5/8") - 4 pcs
- Ⓓ Wood screw(1 1/4") - 24 pcs  
Spare - 2 pcs
- Ⓔ Allen wrench M6 - 1pc
- Ⓕ Allen wrench M4 - 1pc  
Spare - 1pc

NOTE: WE INCLUDE SPARE HARDWARE IN CASE DAMAGE OCCURS DURING ASSEMBLY.

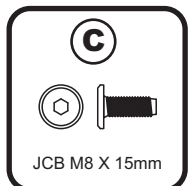
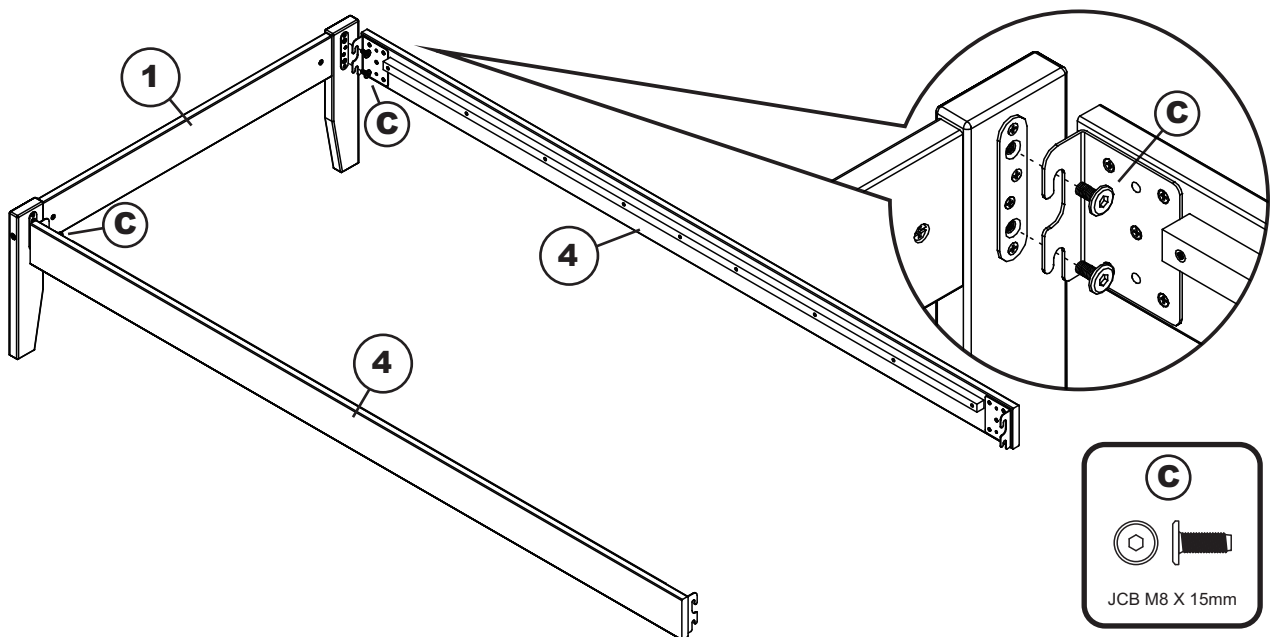
### Step 1

Attach the legs (2) and (3) to foot rail (1), using JCB M6 X 110mm (A) and barrel nut (B).  
Tighten with the Allen wrench M4 (F).



### Step 2

Attach side rails (4) to the foot rail (1) as shown below using JCB M8 X 15mm (C).  
Tighten with Allen wrench M6 (E).

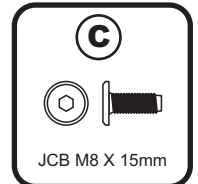
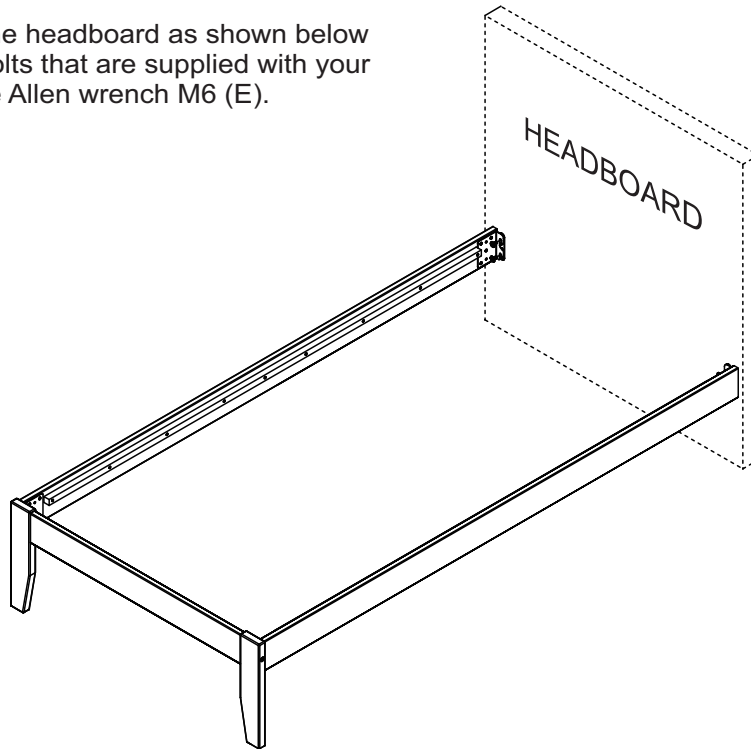


**PO:**

CODE	ITEM	ITEM
FR-OP-ISL	G-21801X	G-21802X

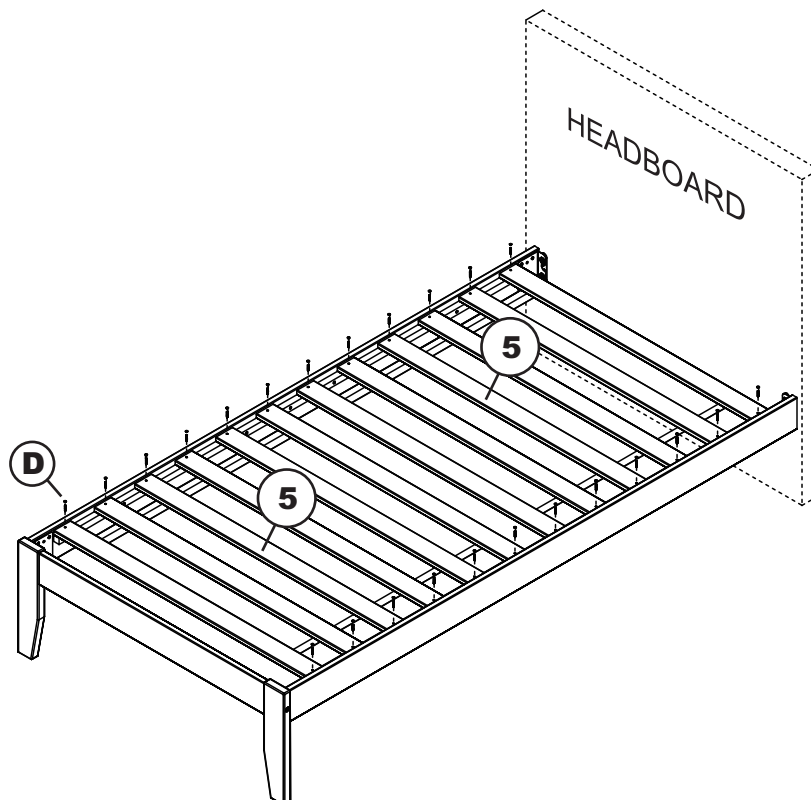
### Step 3

Attach open bed frame to the headboard as shown below using 4 JCB M8 X 15mm bolts that are supplied with your headboard. Tighten with the Allen wrench M6 (E).



### Step 4

Attach 2 slat kit (5) to the open bed as shown below using wood screws 1 1/4" (D). Tighten with Phillips head screw driver. (customer supplied)



**Congratulations!**

Your bed is now ready for use.

We recommend that you periodically recheck that all screws are tight to ensure lasting safety.