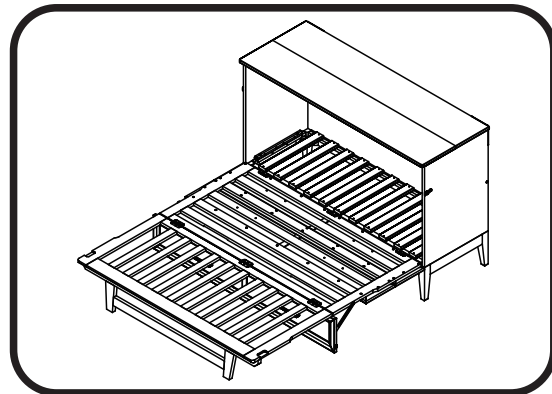
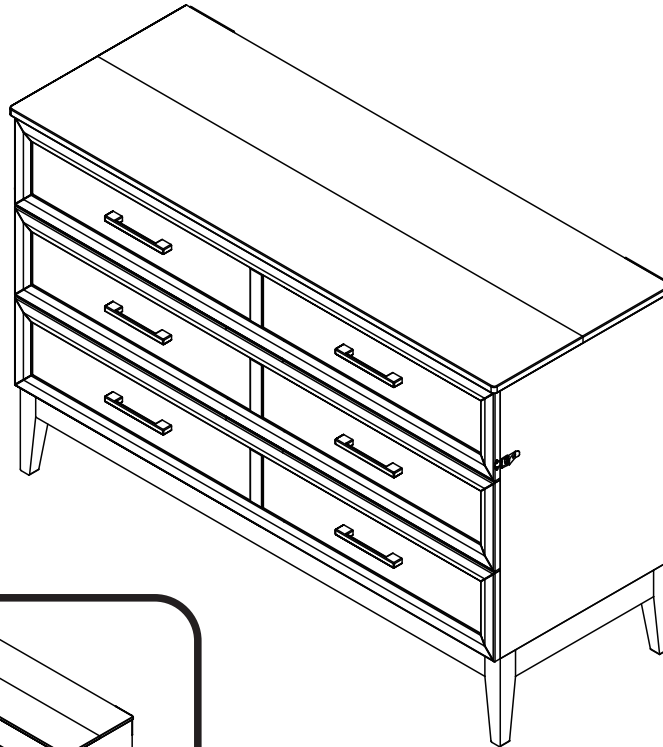


QUEEN

ASSEMBLY INSTRUCTIONS

Before assembling your murphy bed, please read through these instructions carefully and familiarize yourself with the different parts.

ATTENTION! If you receive a damaged or defective item, please contact affurnishings at customerservice@afifurnishings.com or 1-800-955-3726



CODE	ITEM
MB-PD-SAN	C-7741X
MB-BL-SAN	C-7742X
MB-TP-SAN	C-7743X

PO :

HARDWARE

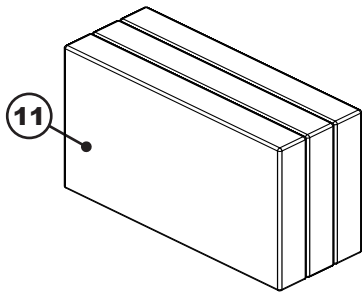
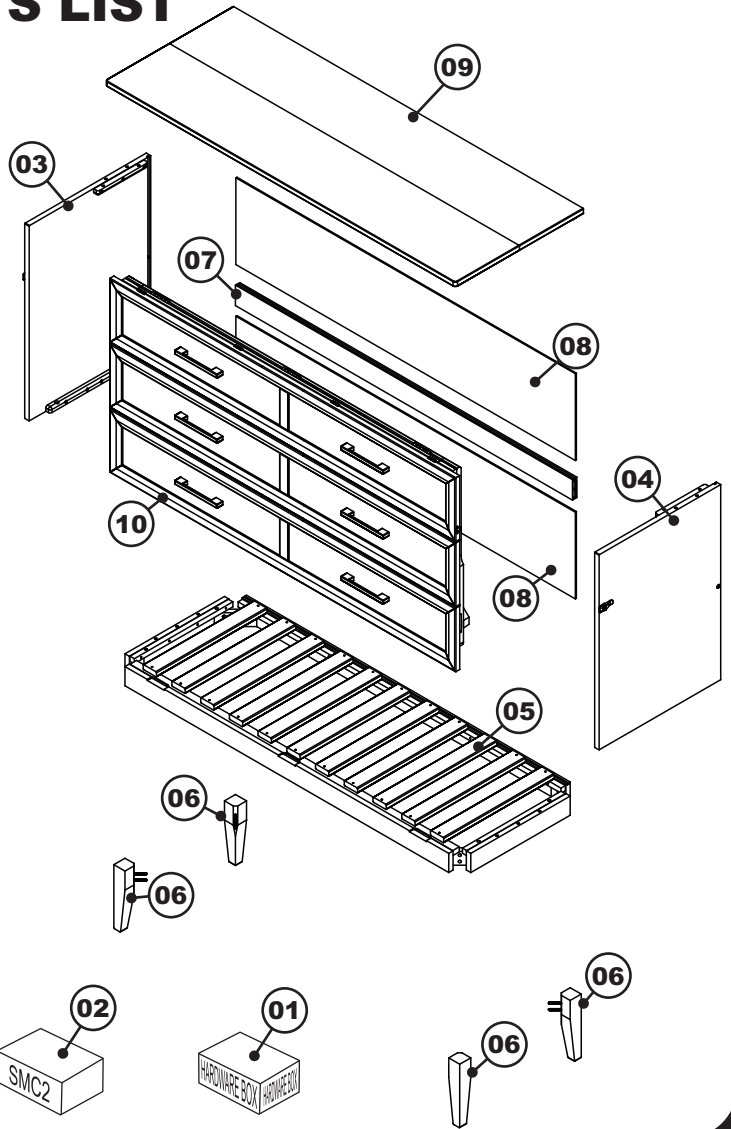
NOTE: WE INCLUDE SPARE HARDWARE IN CASE DAMAGE OCCURS DURING ASSEMBLY.

- A** JCB M6 X 30mm (1 1/4") - 8 pcs
Spare - 1 pc
- B** JCB M6 X 55mm (2 1/8") - 2 pcs
Spare - 1 pc
- C** Wood screw 1" - 17 pcs
Spare - 2 pcs
- D** Flat Washer - 8 pcs
Spare - 2 pcs
- E** Hexagon Nut - 8 pcs
Spare - 1 pc
- F** Barrel Nut - 2 pcs
- G** Hexagon wrench - 1 pc
- H** Spring clip set with screw - 2 pcs
- I** Triangle Bracket - 2 pcs
- J** Surface Mount Charger 2 - 1 set
Screw 1/2" - 2 pcs
Spare - 1 pc
- K** Allen wrench - 1 pc
Spare - 1 pc

QUEEN

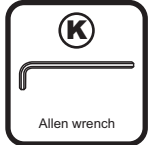
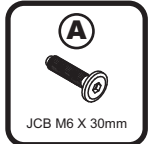
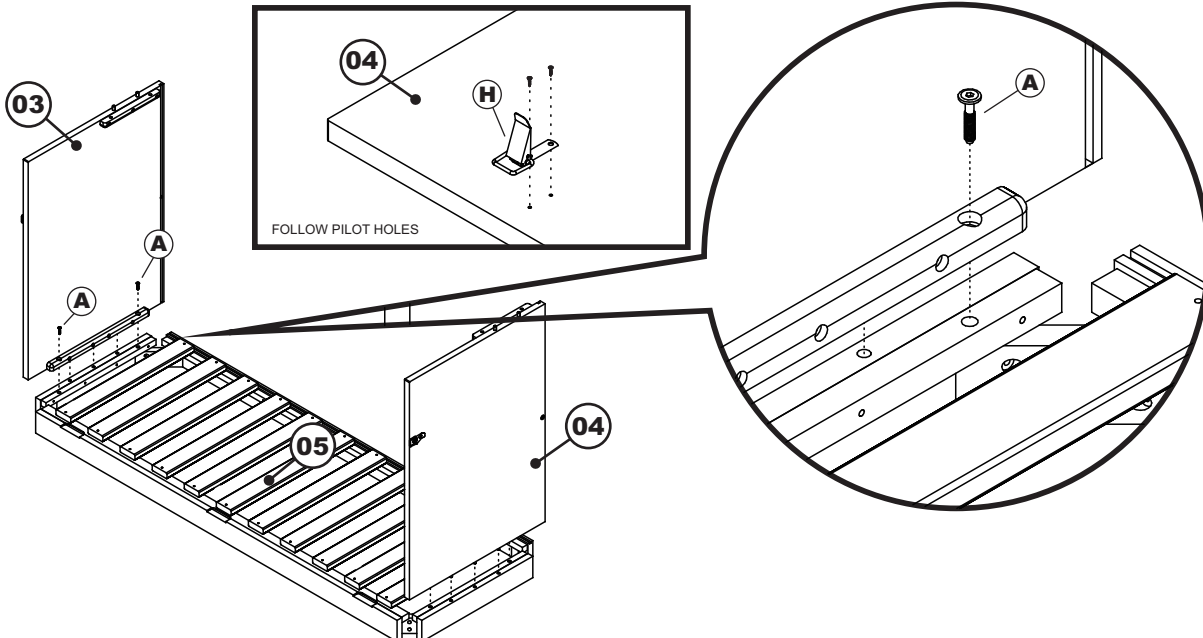
PARTS LIST

- 01 HARDWARE
- 02 SMC2
- 03 LEFT SIDE PANEL
- 04 RIGHT SIDE PANEL — 1 BOX C-7742X
- 05 BASE
- 06 LEG
- 07 BACK RAIL — 1 BOX C-7743X
- 08 BACK PANEL
- 09 TOP PANEL
- 10 FOLDING PANEL — 1 BOX C-7741X
- 11 FOLDING MATTRESS — 1 BOX



STEP 1

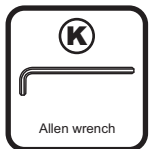
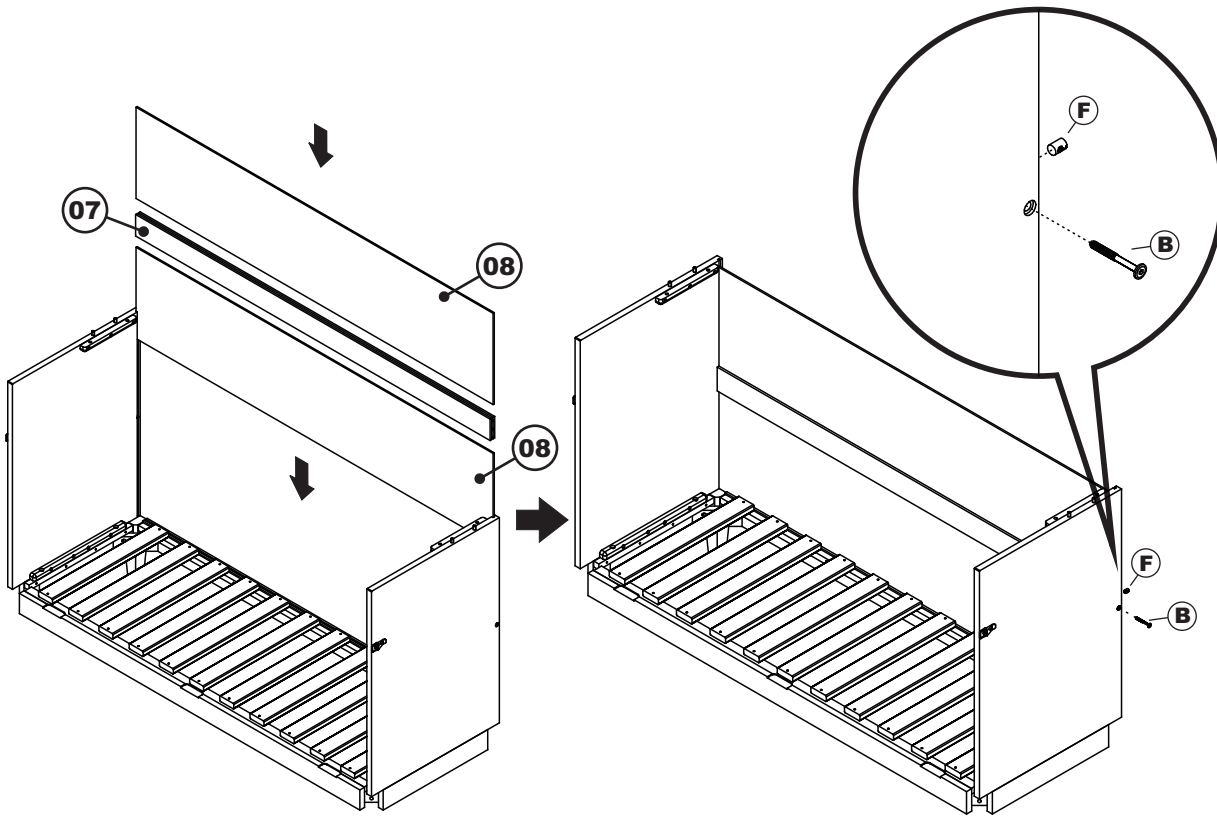
Install spring clip (H) set with screw to side panels (03)(04). Attach left side panel (03) and right side panel (04) to the base (05) as shown below. Use JCB (A). Tighten with Allen wrench (K)



QUEEN

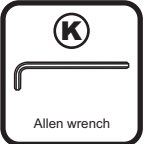
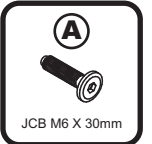
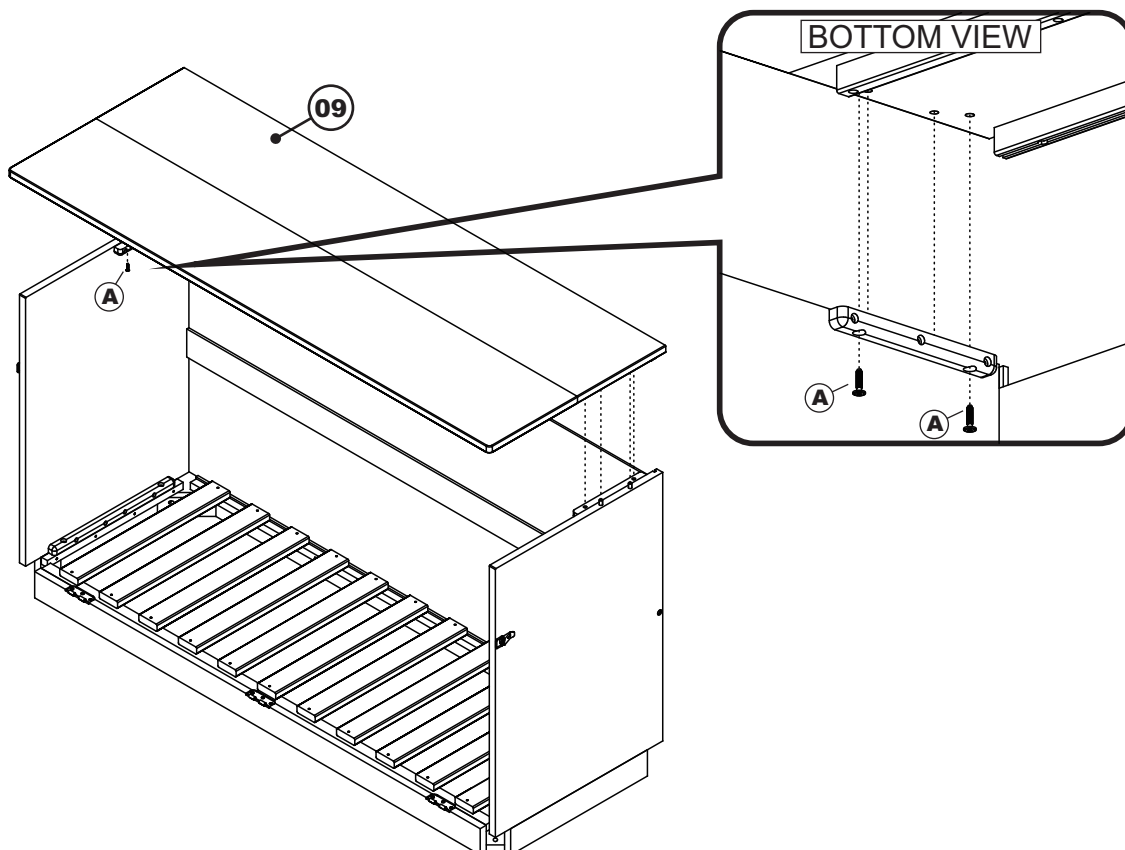
STEP 2

Guide the back panel (08) and back rail (07) in carefully so that it won't jump out of its grooves. Be sure it fits fully into its groove at the back rail before fitting the top panel. Use JCB (B) and barrel nut (F). Tighten with allen wrench (K).



STEP 3

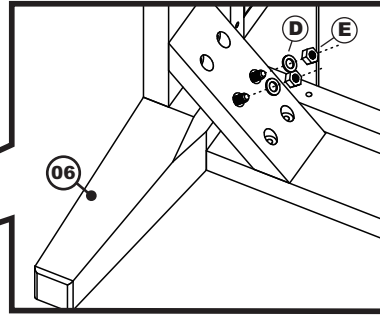
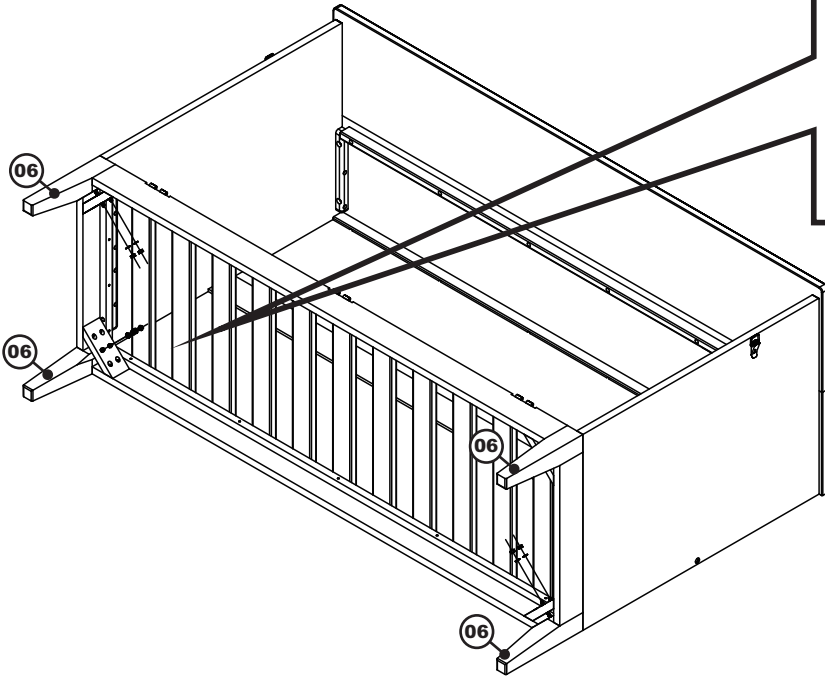
Attach top panel (09) to cabinet assembly as shown below. Use JCB (A). Tighten with Allen wrench (K)



QUEEN

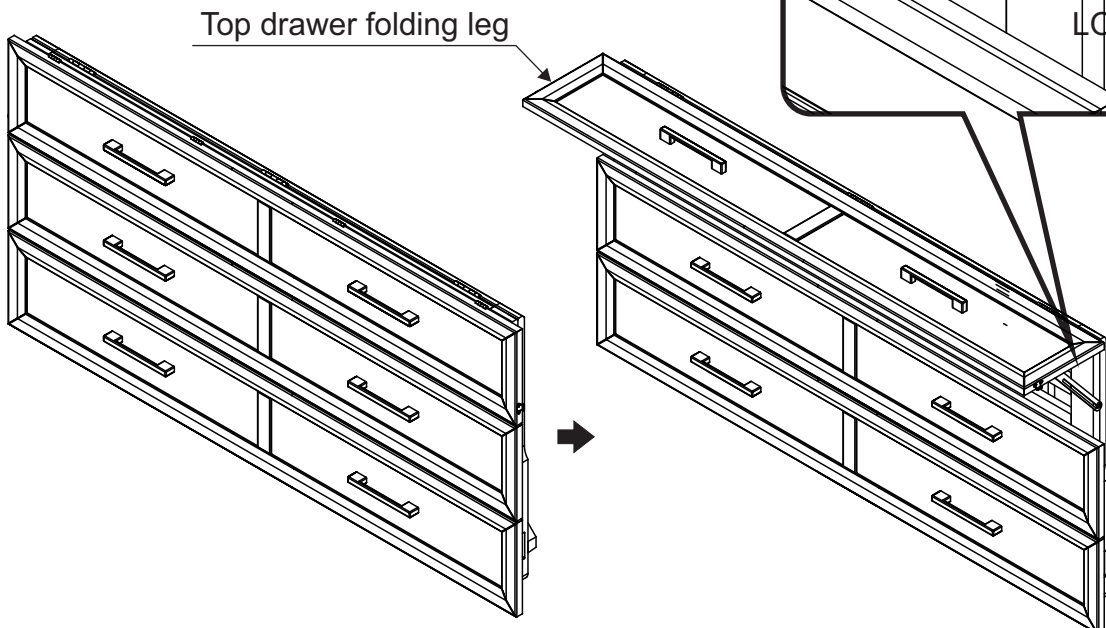
STEP 4

Attach legs (06) to cabinet assembly as shown below. Use flat washer (D) and hexagon nut (E). Tighten with Hexagon wrench (G)



STEP 5

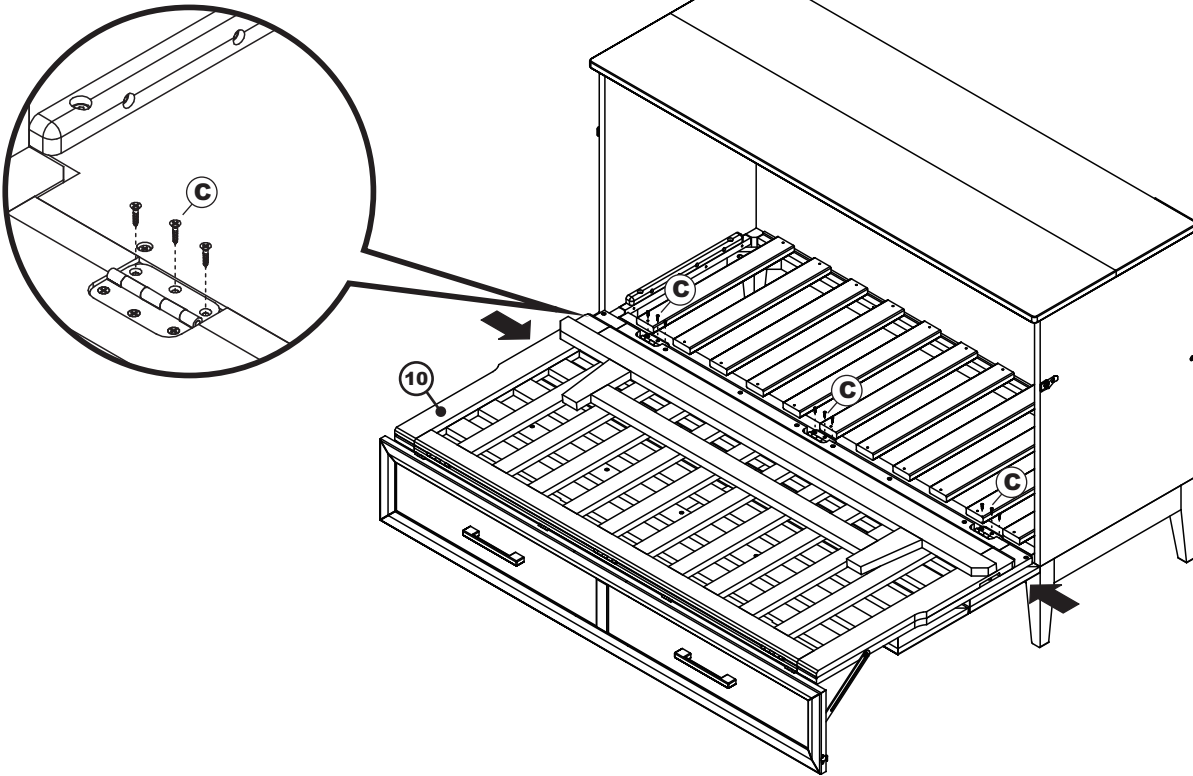
Open top drawer folding leg as shown below. Using metal support and lock to the post. (both side)



QUEEN

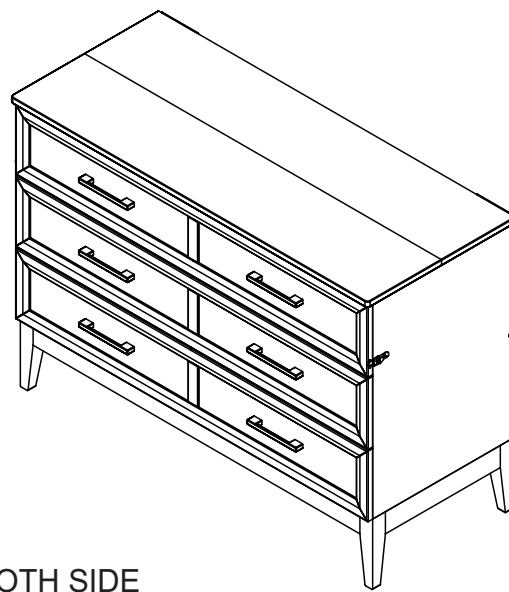
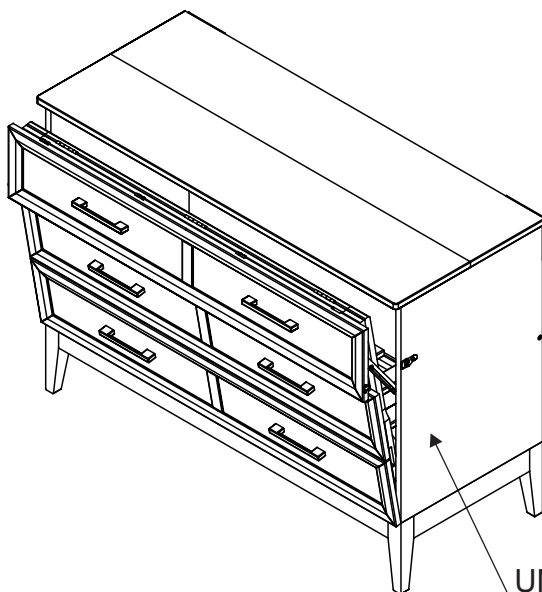
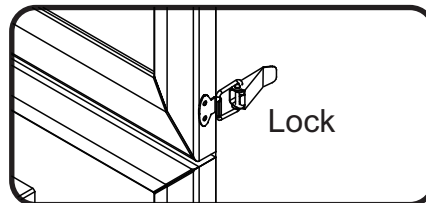
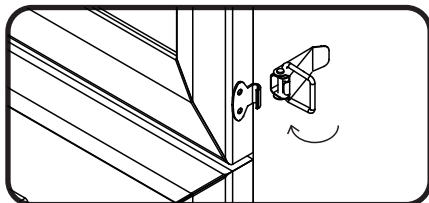
STEP 6

Attach folding panel assembly (10) to cabinet assembly as shown below. Use wood screw (C). Tighten with Phillips head screwdriver. Customer supplied. Be sure to align with cabinet.



STEP 7

Unlock metal support. Lift the door and latch to side panel. Push the door closed and latch both sides as shown below.



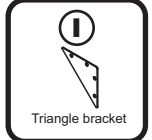
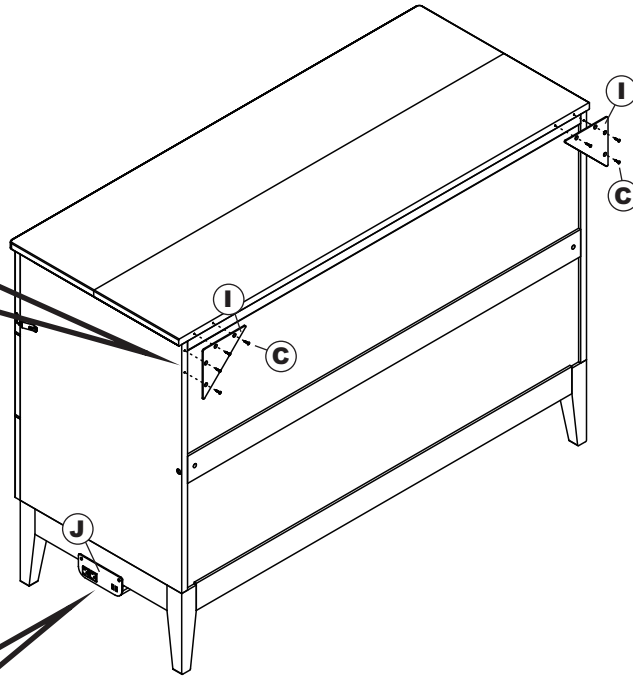
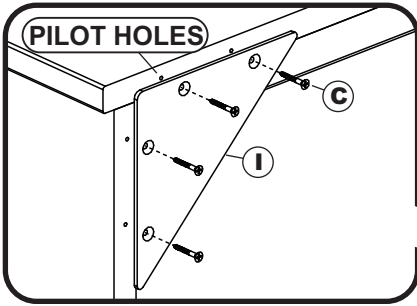
UNLOCK BOTH SIDE



QUEEN

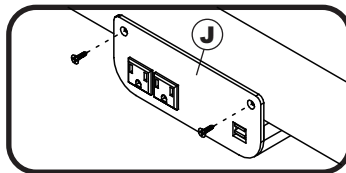
STEP 8

Attach triangle bracket (I) to the back of cabinet as shown below. Use wood screw (C) tighten with Phillips head screwdriver. (customer supplied).



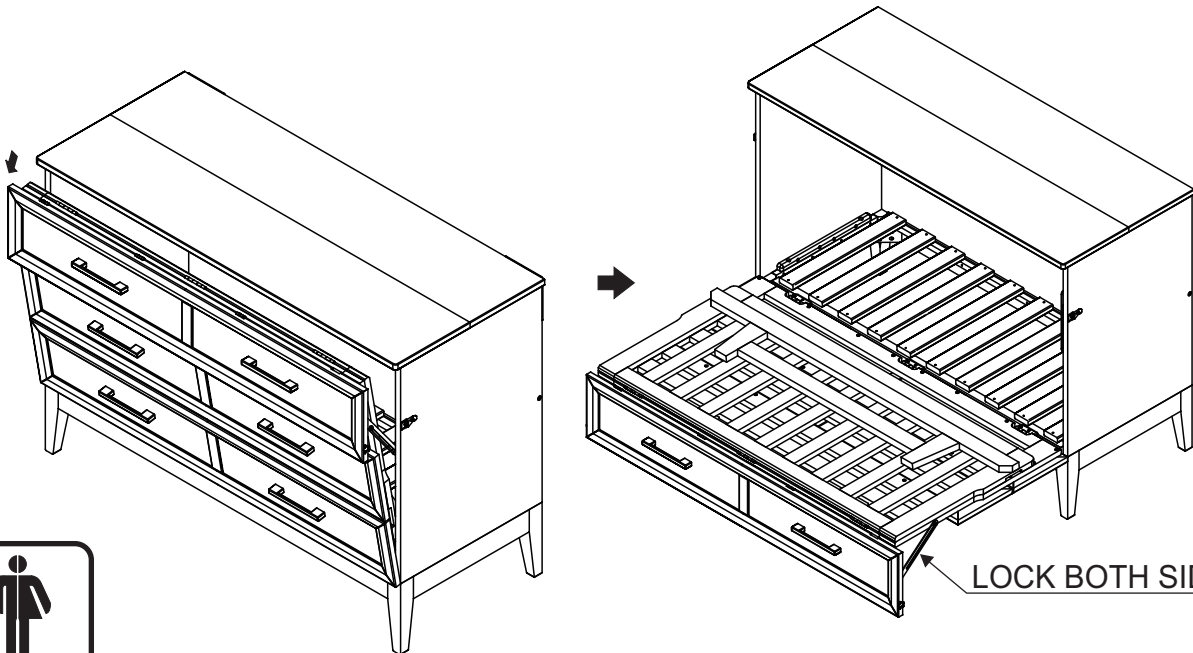
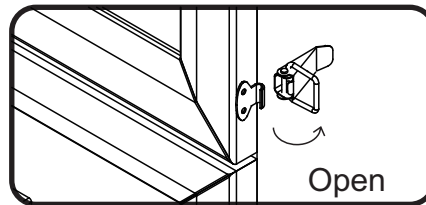
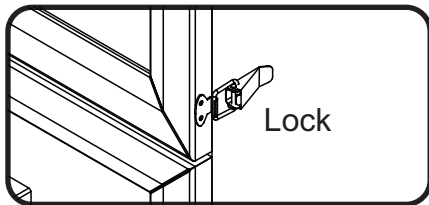
STEP 9

Install USB charger (J) to the location as shown. Using 1/2" screws and tighten with Phillips head screwdriver. (Customer supplied)



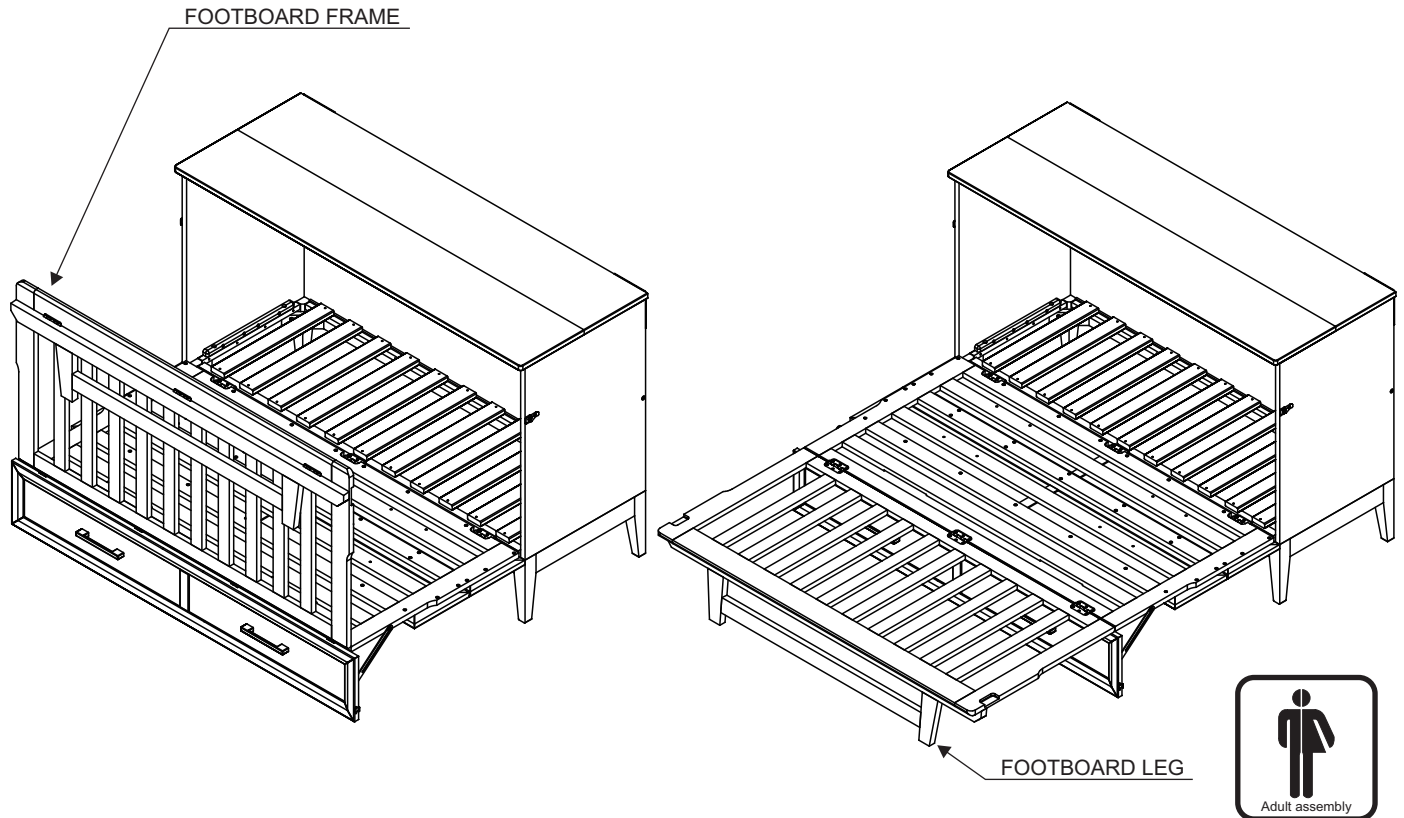
STEP 10

Unlatch the door and open, folding down and lock metal support to the post as shown.

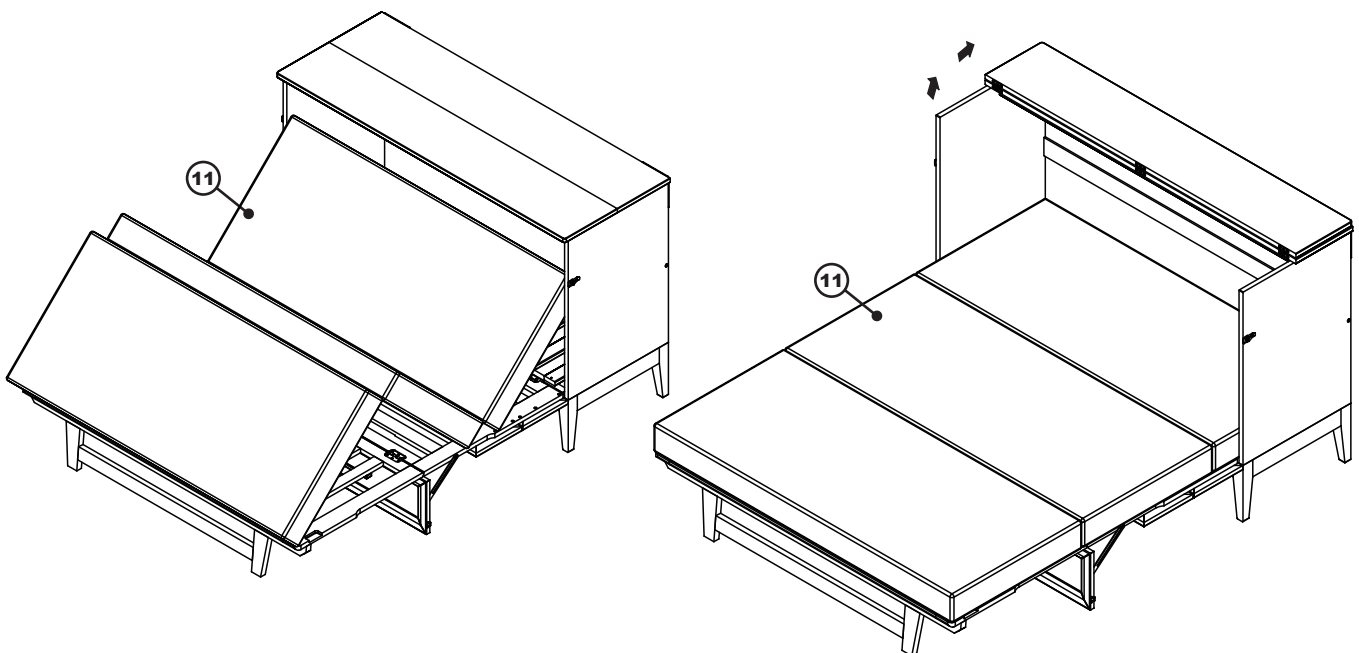


QUEEN

STEP 11 Open and pull footboard frame and open footboard leg as shown below.



STEP 12 Install folding mattress (11) to the bed. Open top panel as shown below.



Congratulations!

Your Murphy bed is now ready for use.

We recommend that you recheck that all screws are tight, and that all parts are secure before use to ensure lasting Safety.

