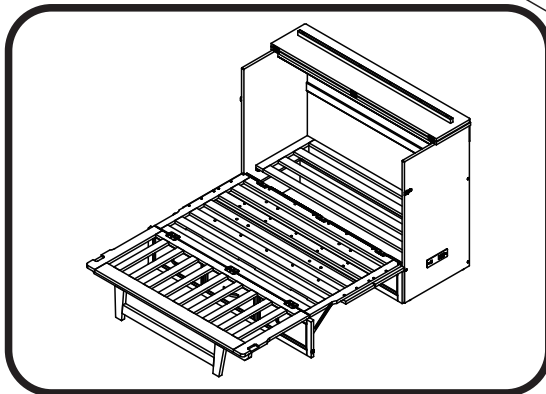
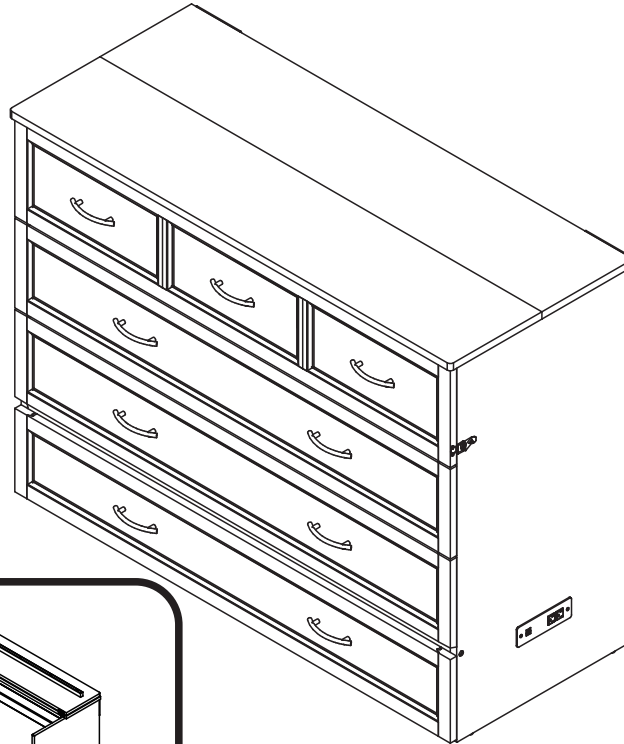


FULL ASSEMBLY INSTRUCTIONS

Before assembling your murphy bed, please read through these instructions carefully and familiarize yourself with the different parts.

ATTENTION! If you receive a damaged or defective item, please contact affurnishings at customerservice@afifurnishings.com or 1-800-955-3726

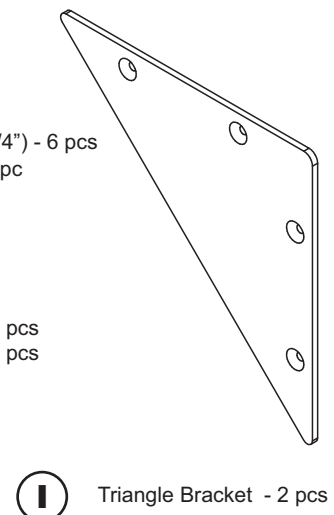
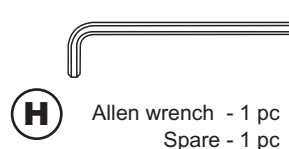
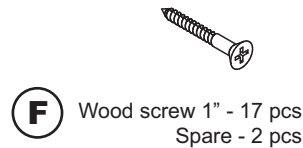
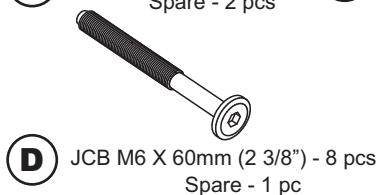


CODE	ITEM
MB-DR-NFD	C-5832X
MB-PL-NFD	C-5835X
MB-CB-NFD	C-5839X

PO :

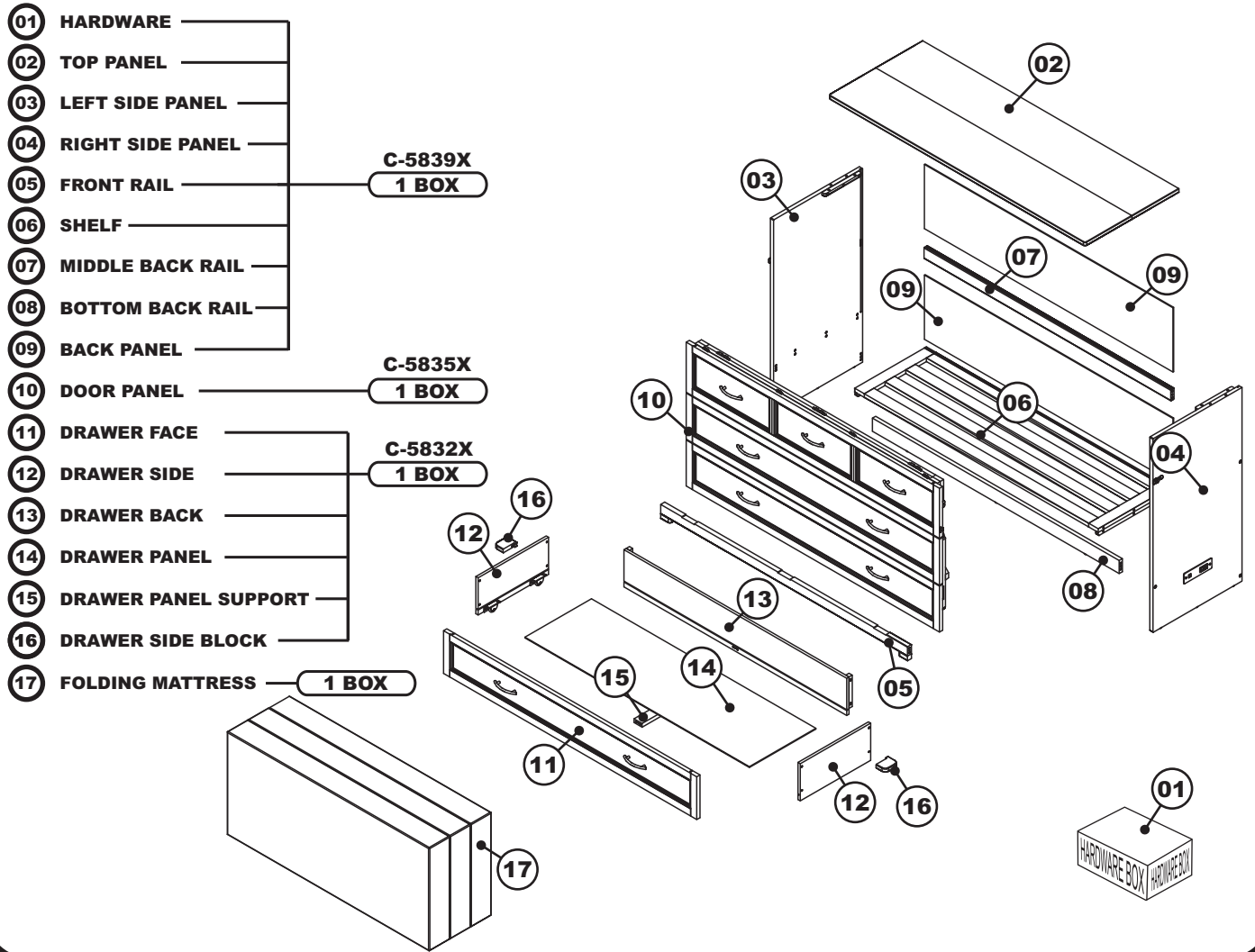
HARDWARE

NOTE: WE INCLUDE SPARE HARDWARE IN CASE DAMAGE OCCURS DURING ASSEMBLY.



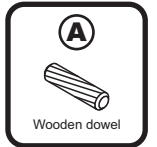
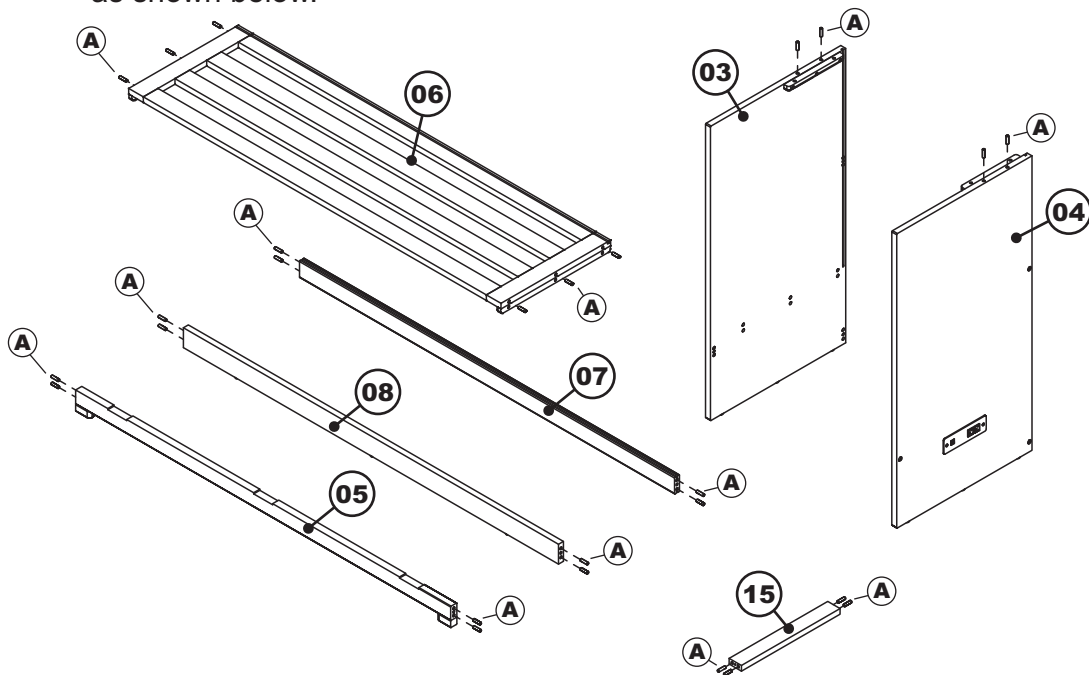
FULL

PARTS LIST



STEP 1

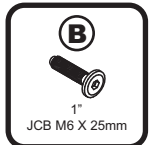
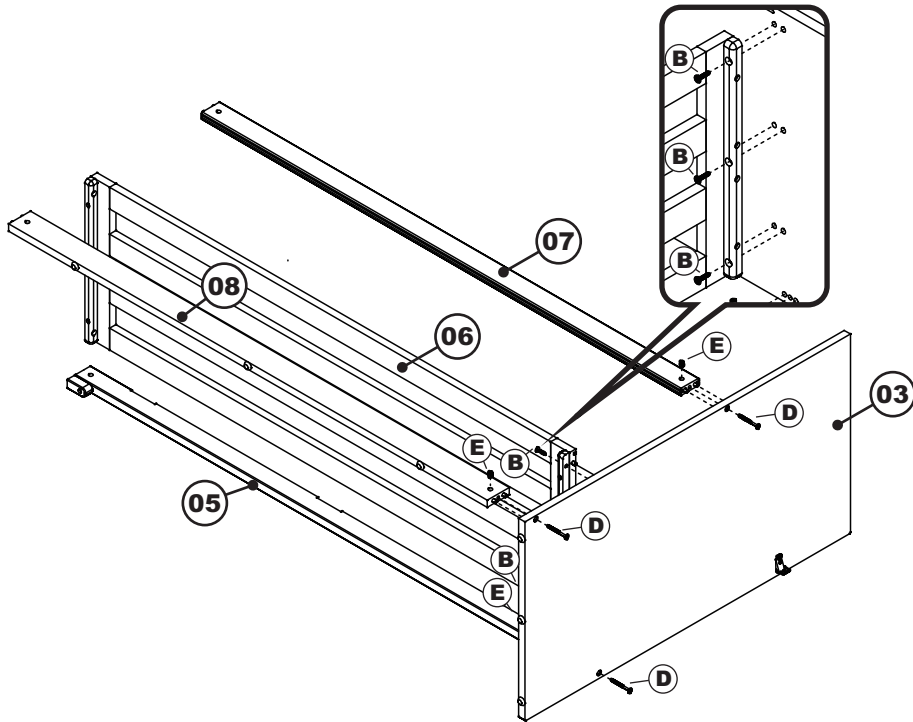
Insert all wooden dowels (A) into the locator holes on (03)(04)(05)(06)(07)(08) and (15) as shown below.



FULL

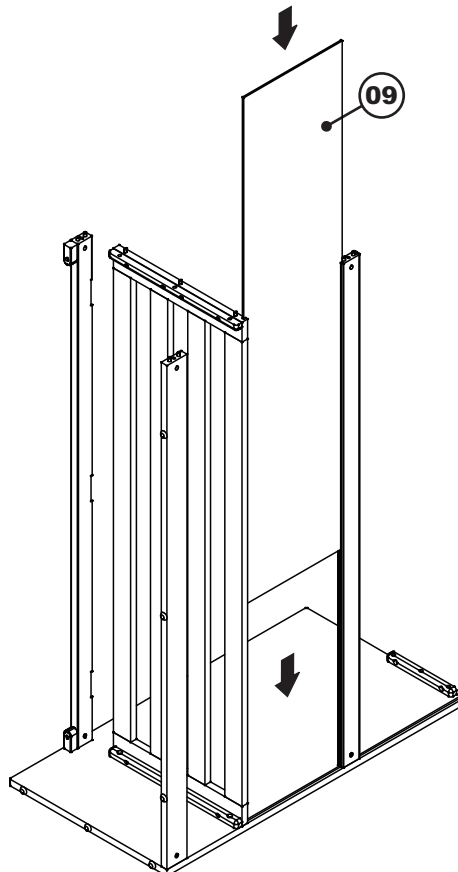
STEP 2

Attach left side panels (03) to the shelf (06), front rail (05), middle back rail (07) and bottom back rail (08) as shown below. Use JCB (B)(D) and barrel nut (E). Tighten with Allen wrench (H)



STEP 3

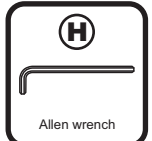
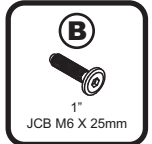
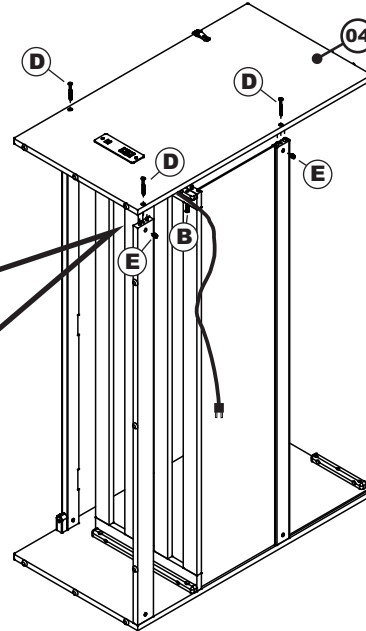
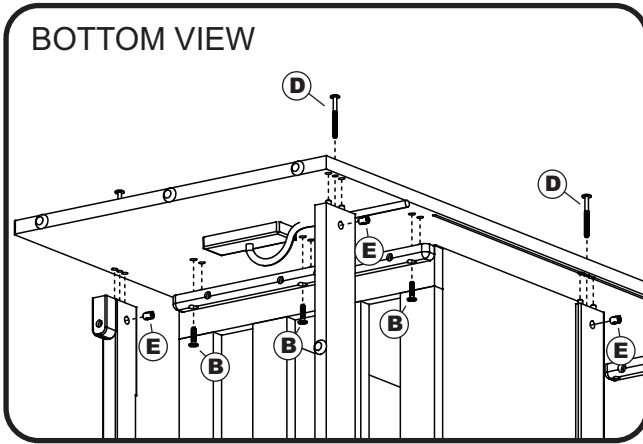
Guide the back panel (09) in carefully so that it won't jump out of its grooves. Be sure it fits fully into its groove at the bottom (in the side panel) before fitting the other side panel.



FULL

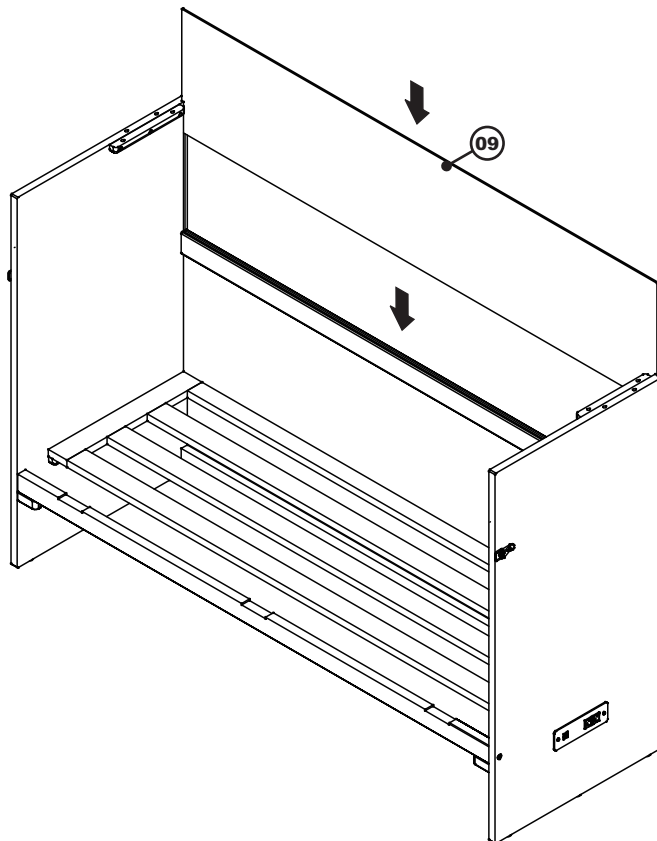
STEP 4

Attach right side panels (04) to cabinet assembly as shown below. Use JCB (B)(D) and barrel nut (E). Tighten with Allen wrench (H)
Be sure it fits fully into its groove at the bottom (in the side panel) before fitting the side panel.



STEP 5

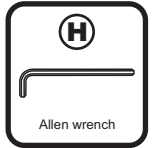
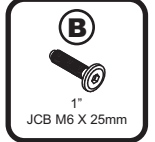
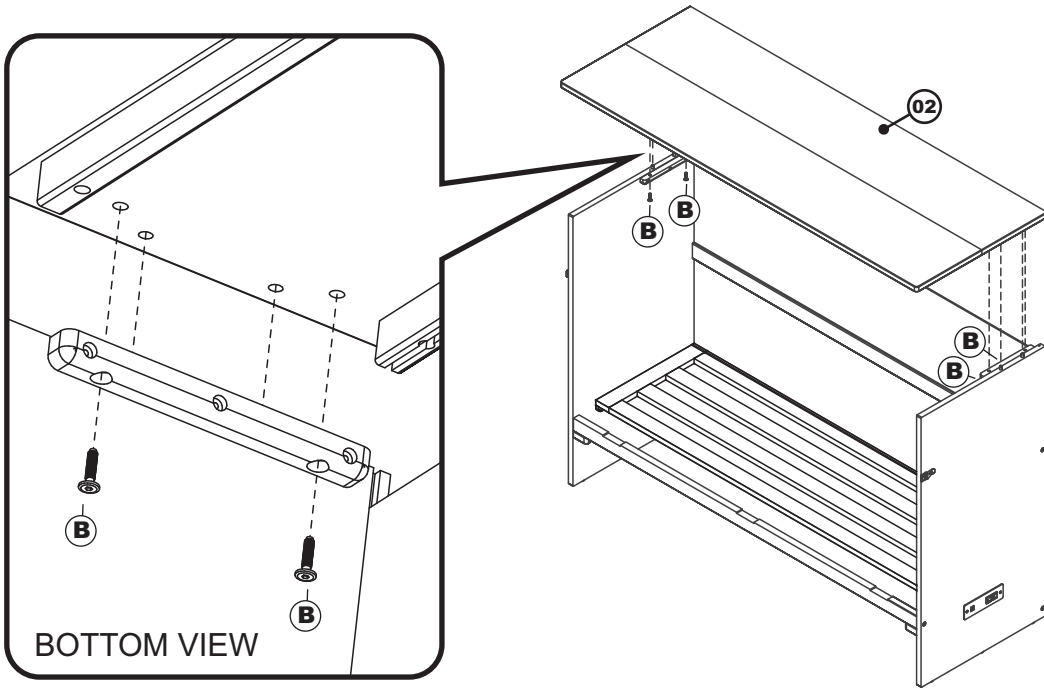
Guide the back panel (09) in carefully so that it won't jump out of its grooves. Be sure it fits fully into its groove at the middle rail before fitting the top panel.



FULL

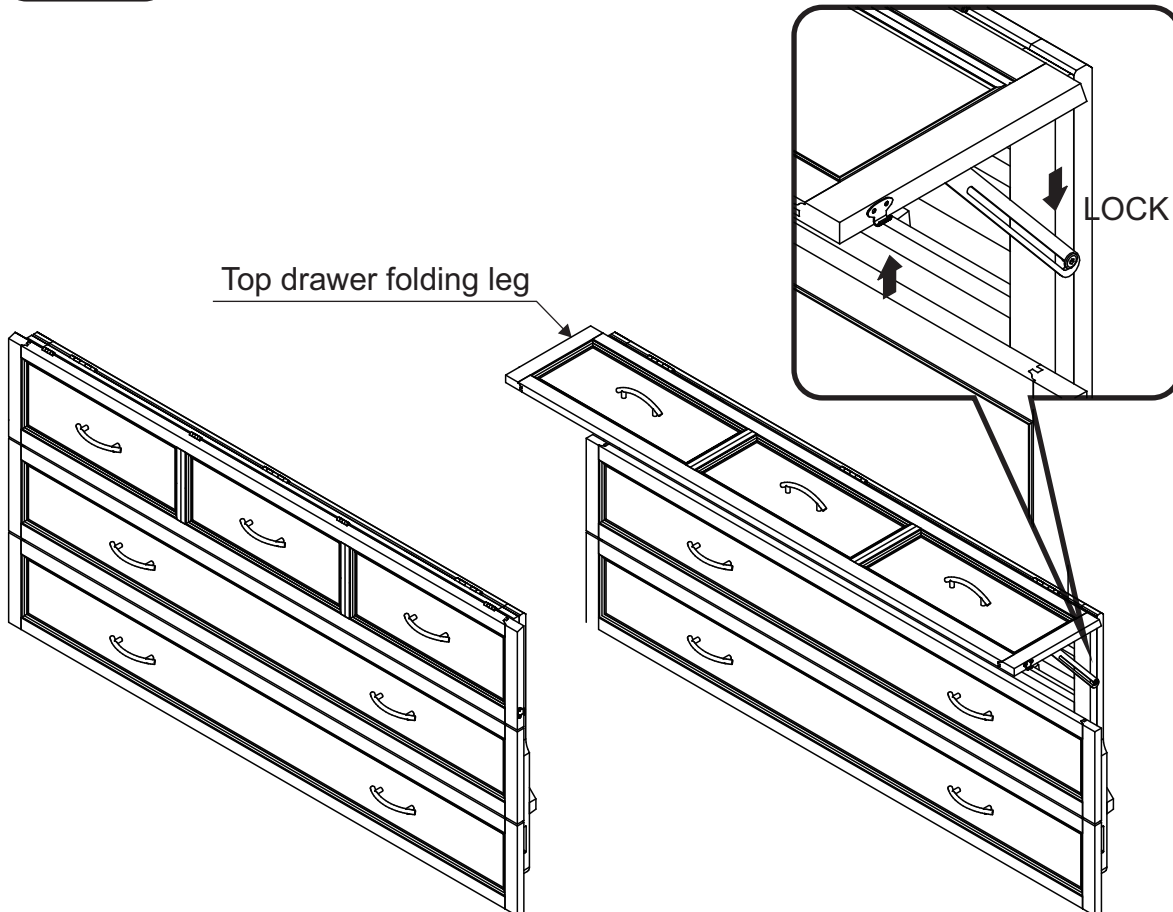
STEP 6

Attach top panel (02) to cabinet assembly as shown below. Use JCB (B). Tighten with Allen wrench (H)



STEP 7

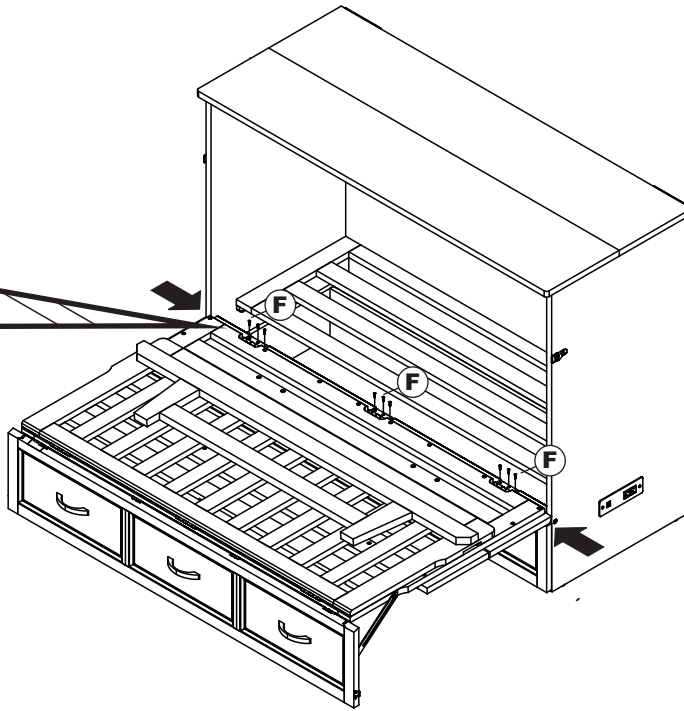
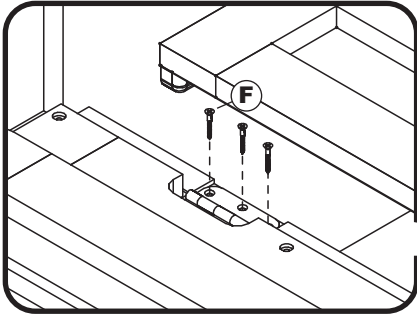
Open top drawer folding leg until lock of metal support as shown below.



FULL

STEP 8

Attach door panel to cabinet assembly as shown below. Use wood screw (F) tighten with Phillips head screwdriver. (customer supplied). Be sure to align with cabinet.

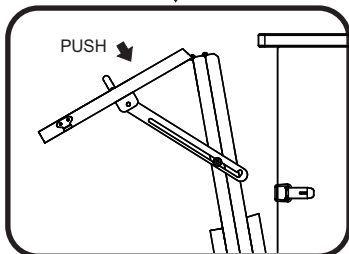
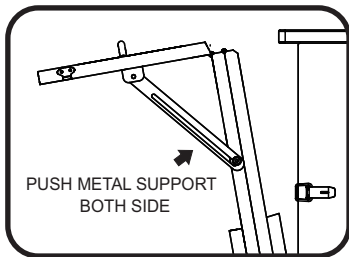
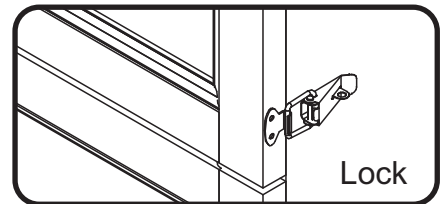
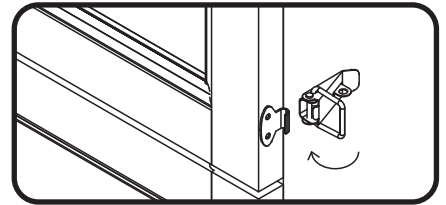
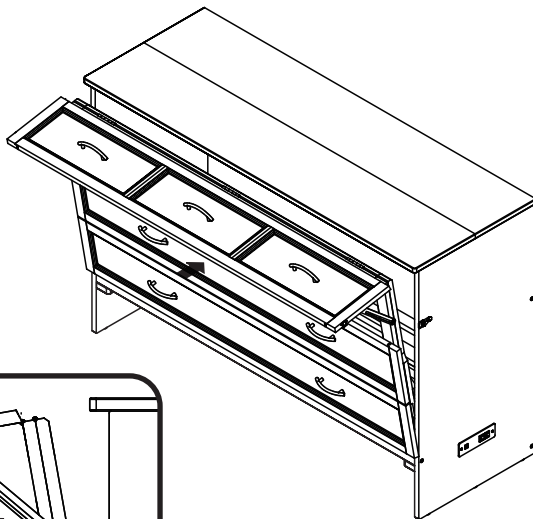


Phillips screwdriver

Customer supplied

STEP 9

Lift the door and push the metal support. Push the door closed and latch both sides as shown below.

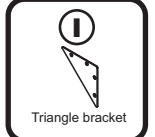
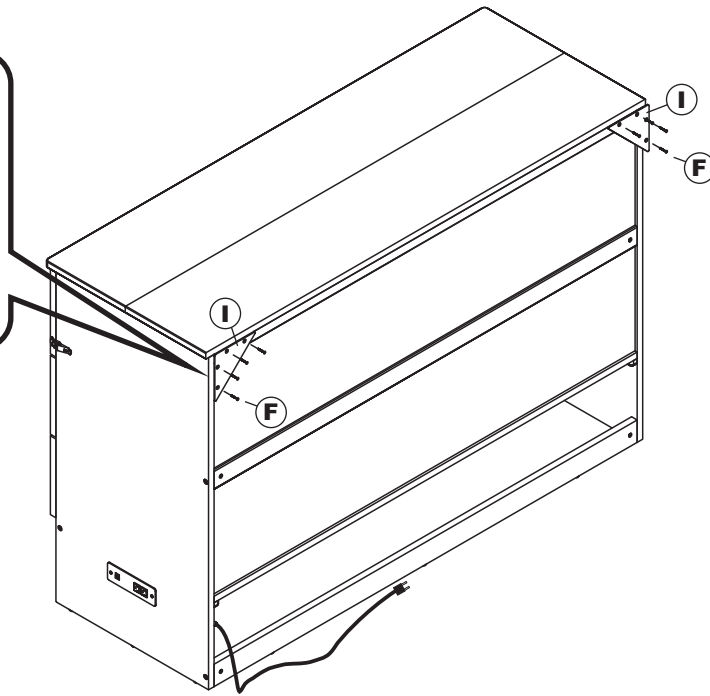
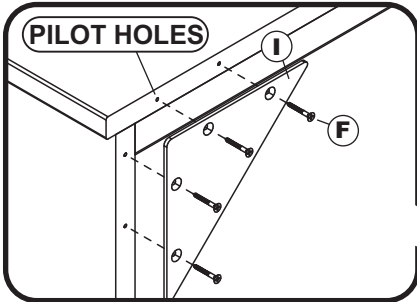


Adult assembly

FULL

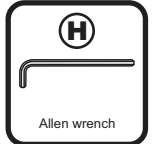
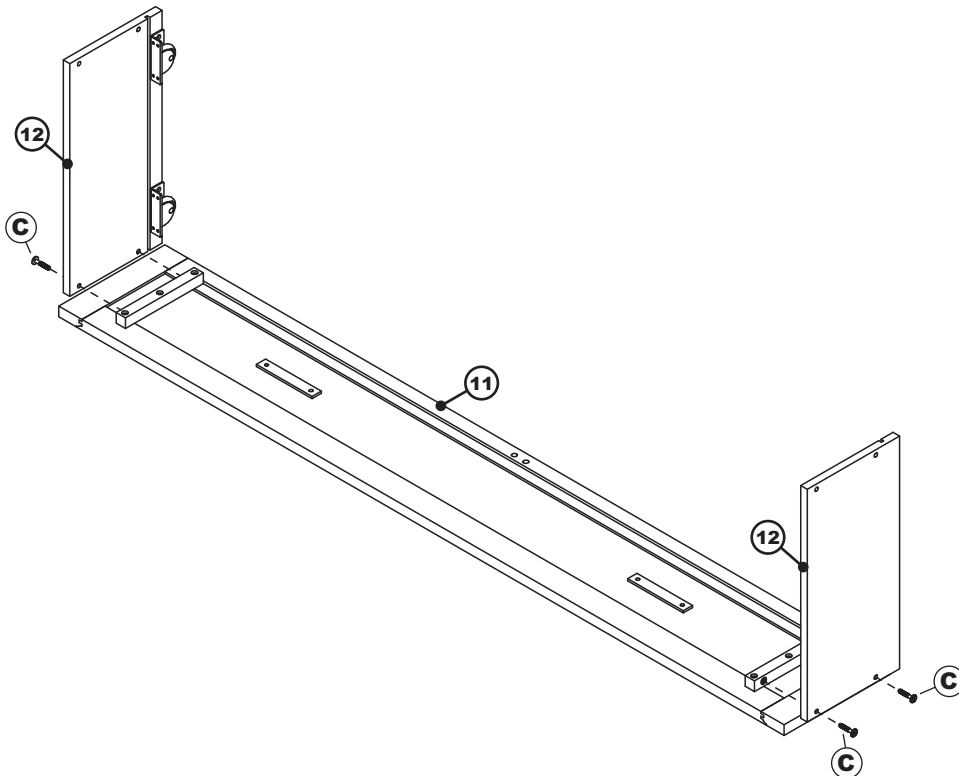
STEP 10

Attach triangle bracket (I) to the back of cabinet as shown below. Use wood screw (F) tighten with Phillips head screwdriver. (customer supplied).



STEP 11

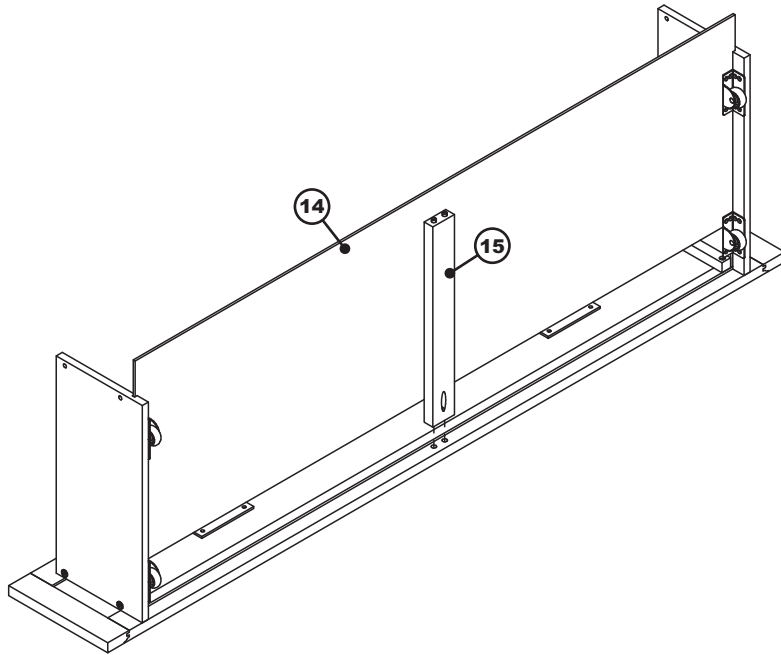
Lay the drawer face (11) on smooth, flat surface so the groove is facing upwards. Fit the drawer side (12) to drawer face (11), Use JCB (C), align groove inside panel with groove in drawer face. Tighten with Allen wrench (H).



FULL

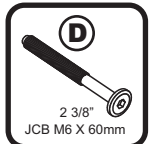
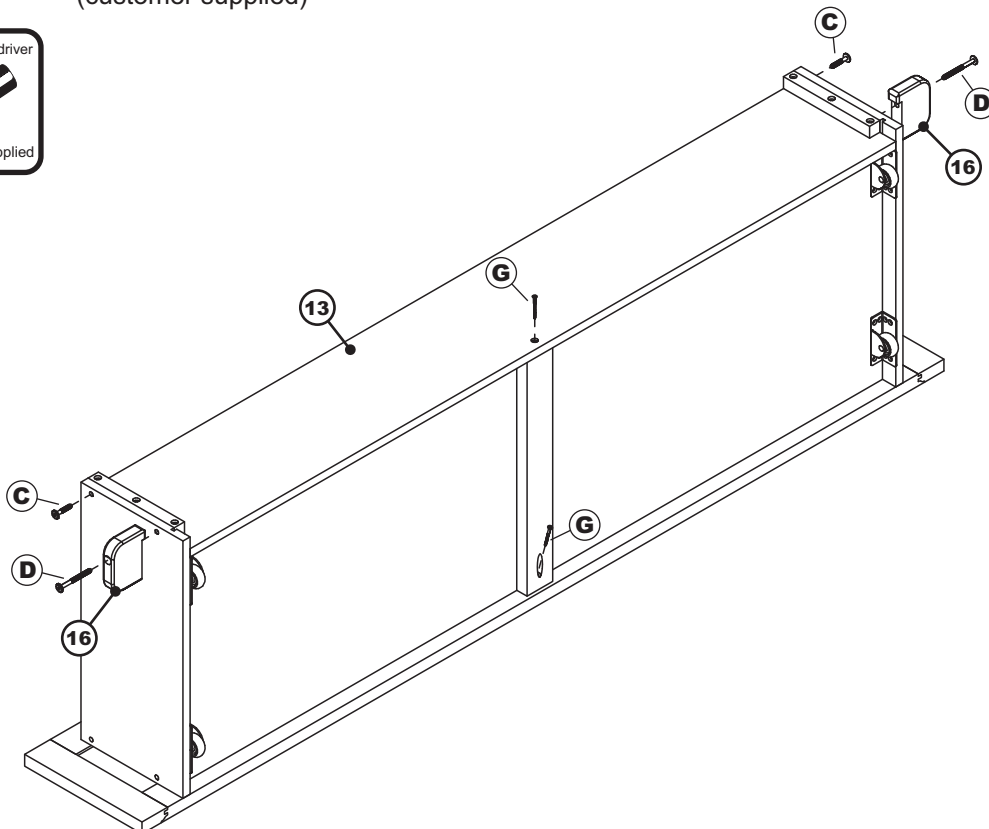
STEP 12

Guide the drawer panel (14) in carefully so that it won't jump out of its grooves. Be sure it fits fully into its groove at the bottom (in the drawer face) before fitting the drawer back. Attach drawer panel support (15) to the drawer face as shown below.



STEP 13

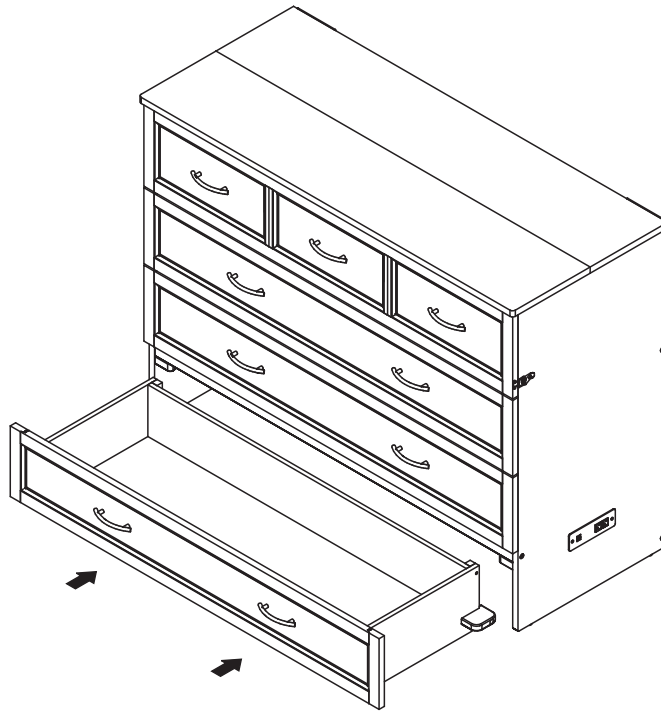
Attach drawer back (13) and drawer side block (16) to bed drawer assembly as shown below. Use JCB (C)(D). Tighten with Allen wrench (H). Use wood screw (G) tighten with Phillips head screwdriver (customer supplied)



FULL

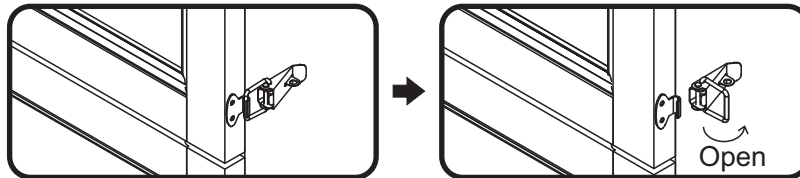
STEP 14

Move the murphy bed where you want to place them in the room. Push drawer assembly in as shown below. Be sure to align with cabinet.

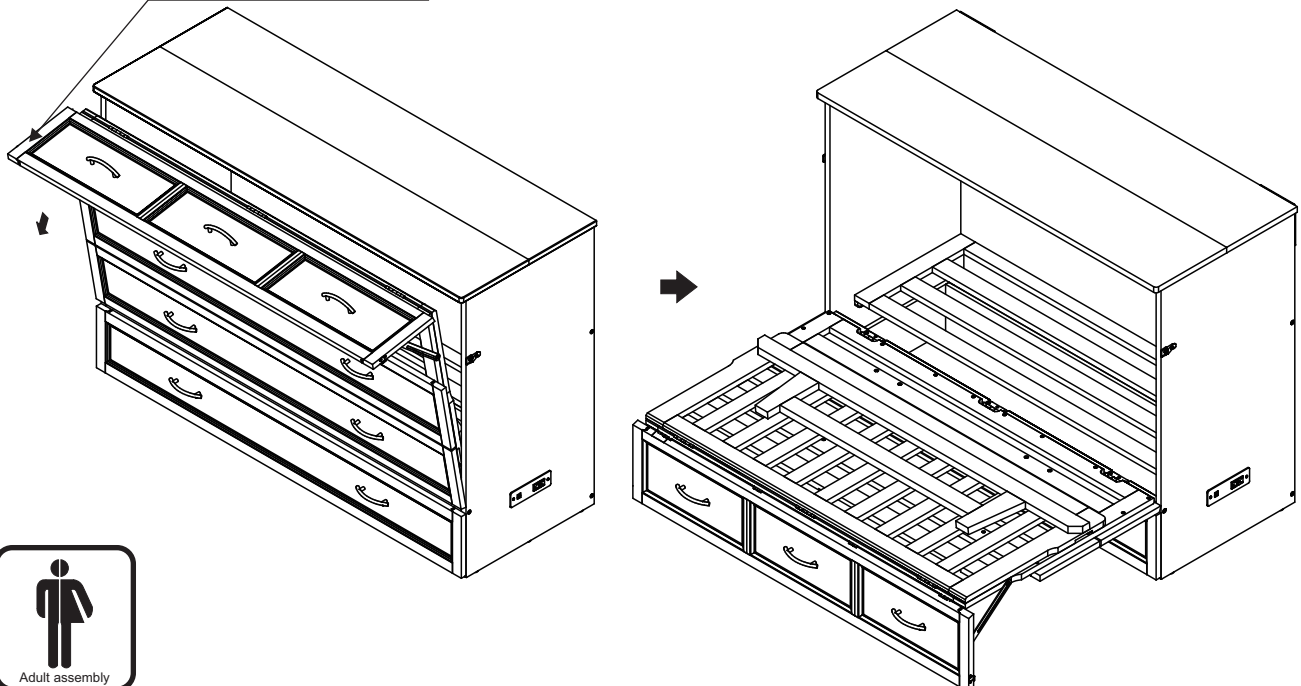


STEP 15

Unlatch the door and open top drawer folding leg until lock of metal support, folding down as shown.

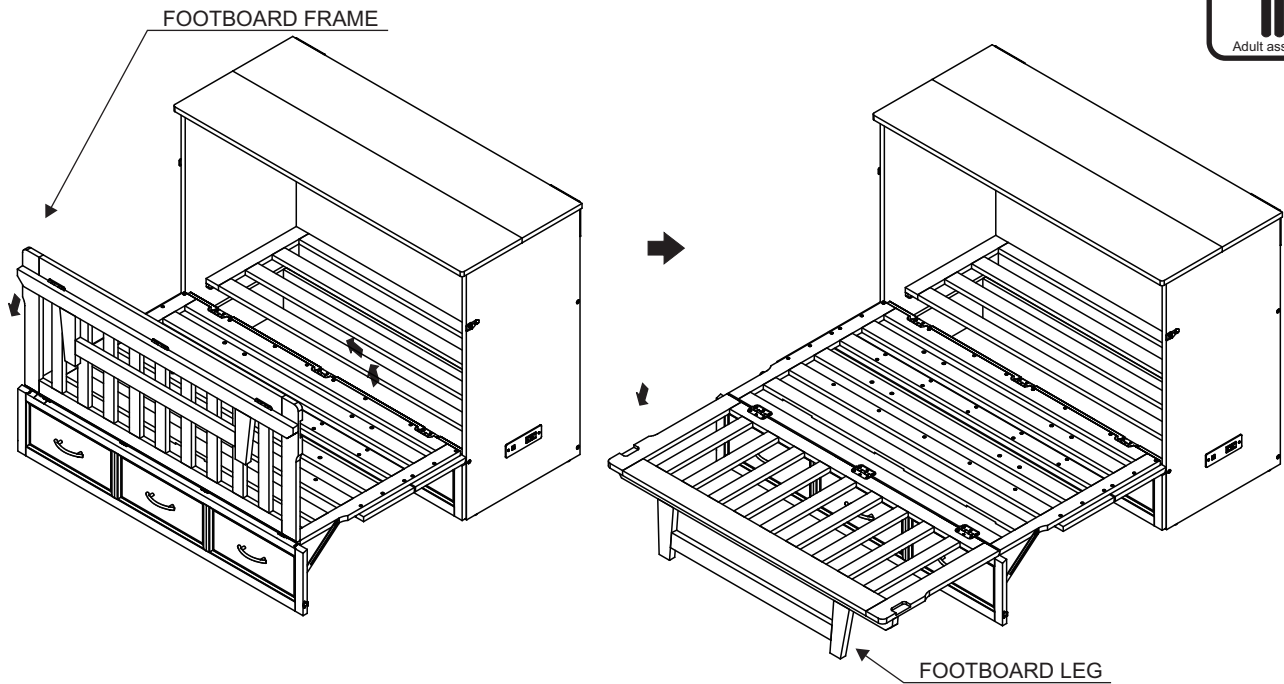


TOP DRAWER FOLDING LEG

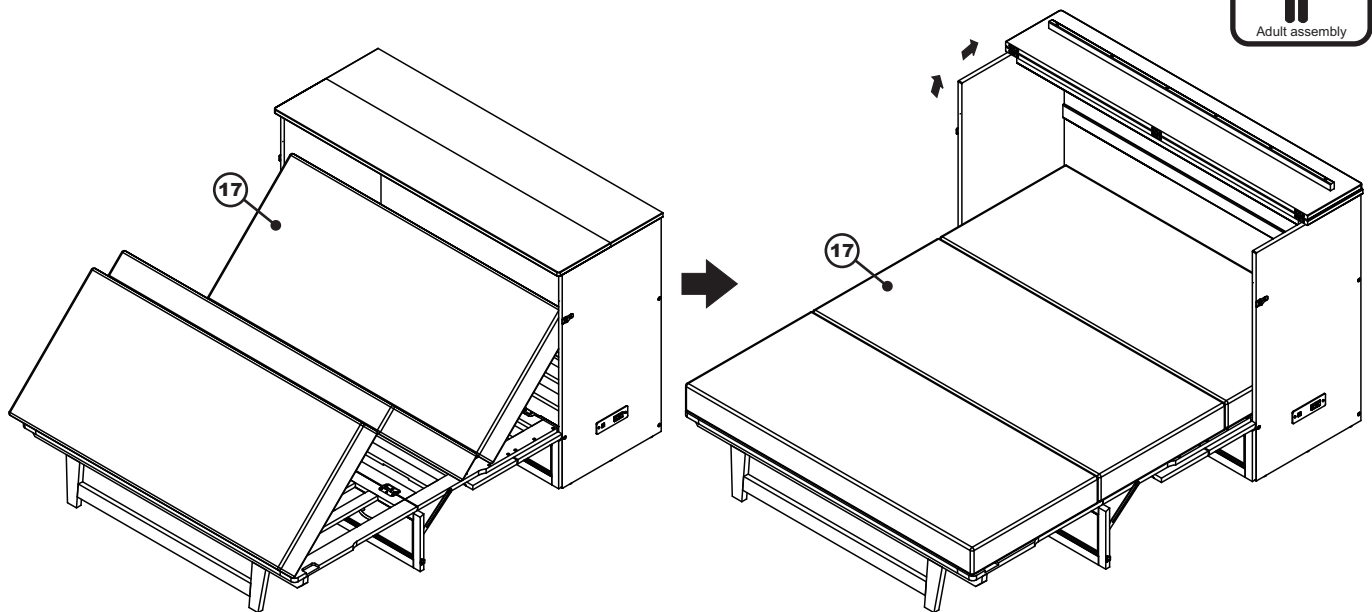


FULL

STEP 16 Open and pull footboard frame and open footboard leg as shown below.



STEP 17 Install folding mattress (17) to the bed. Open top panel as shown below.



Congratulations!

Your Murphy bed is now ready for use.

We recommend that you recheck that all screws are tight, and that all parts are secure before use to ensure lasting Safety.