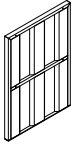
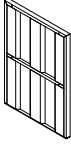

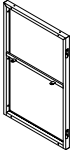



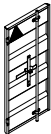
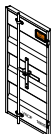


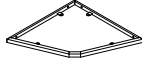

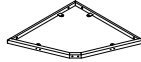
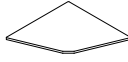

# ASSEMBLY INSTRUCTION FOR ACME FURNITURE











## MODEL# 92692 Container shape Corner cabinet

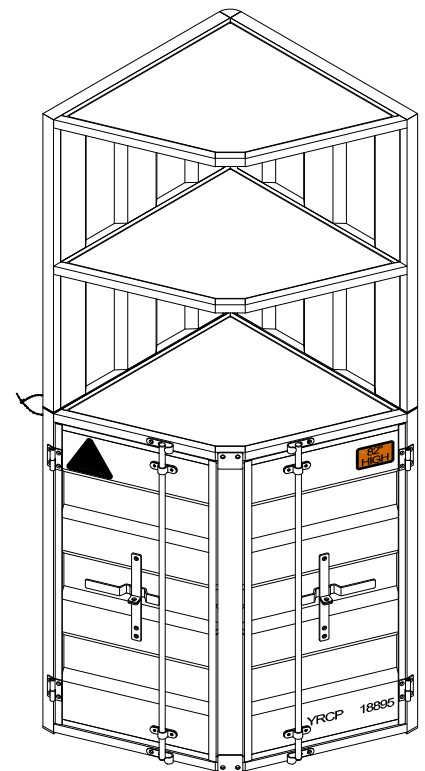
Thank you for purchasing this quality product. Be sure to check all packing materials carefully for small parts which may have come loose inside the carton during shipment. Separate, identify, and count all parts and metal hardware. Compare with parts list to be sure all parts are present. If any part(s) are missing or damaged, please contact your local furniture dealer. For efficient and speedy service, please indicate the model number and code letter of the part(s) needed.

**\*\*\* Do not fully tighten screws until fully assembled \*\*\***

COMPONENT PARTS		
DECERPTION	PART NAME	Q'TY(PCS)
1	Up-left side frame 	1pc
2	Up-right side frame 	1pc
3	Down-left side frame 	1pc
4	Down-right side frame 	1pc
5	Up-corner tube 	1pc
6	Down-corner tube 	1pc
7	Down-front Supporting tube 	1pc
8	Left door 	1pc
9	Right door 	1pc

10	Up-layer frame		2pcs
11	Mid-layer frame		1pc
12	Down-layer frame		1pc
13	Wood layer board		5pcs
14	Small metal panel		4pcs

<b>HARDWARE REQUIRED:</b>	
A	 Bolt 3/16"x3/8" - 8pcs
B	 Bolt 1/4"x5/8" - 8pcs
C	 Bolt 1/4"x3/4" - 16pcs
D	 Bolt 1/4"x1-1/8" - 10pcs
E	 Screw M5 - 20pcs
F	 Allen Wrench M4 - 1pc
G	 Screw M4 - 1pc
H	 Metal Plate - 2pcs
I	 Anchor - 1pc
J	 Girding - 1pc



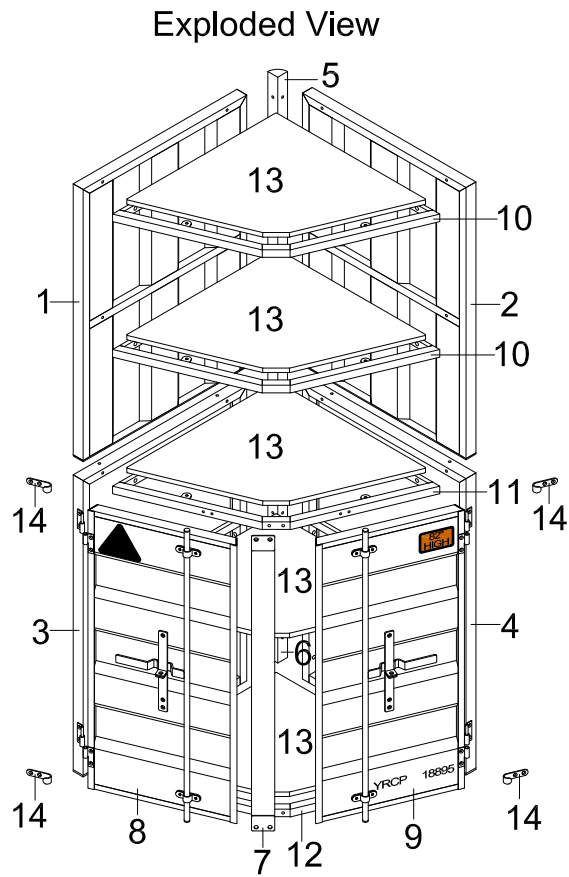
**Attention:**

\*\*\*Mattresses not included.

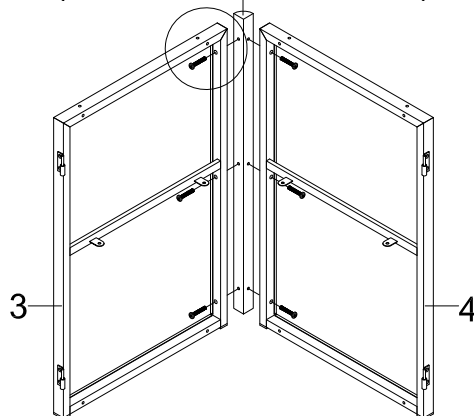
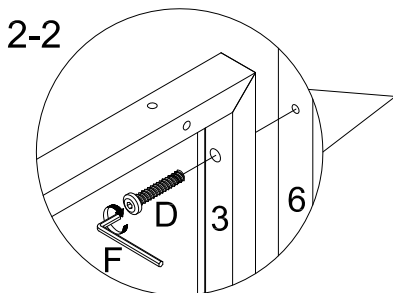
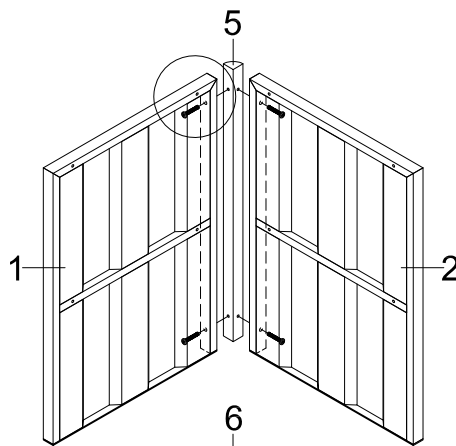
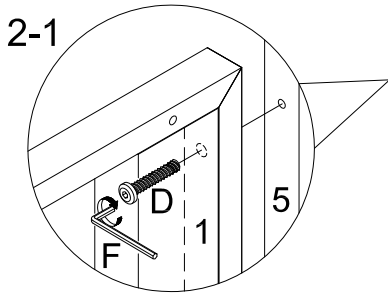
\*\*\*Some number parts listed on the instruction sheet may not be in parts bag as they may already be assemble. Carefully check parts and packing materials prior to ordering replacements.

# How to Assemble:

## STEP 1.



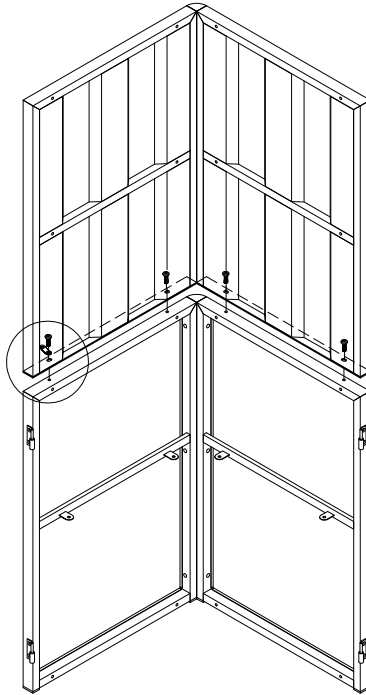
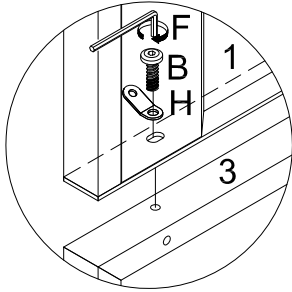
## STEP 2.



D  10pcs

# How to Assemble:

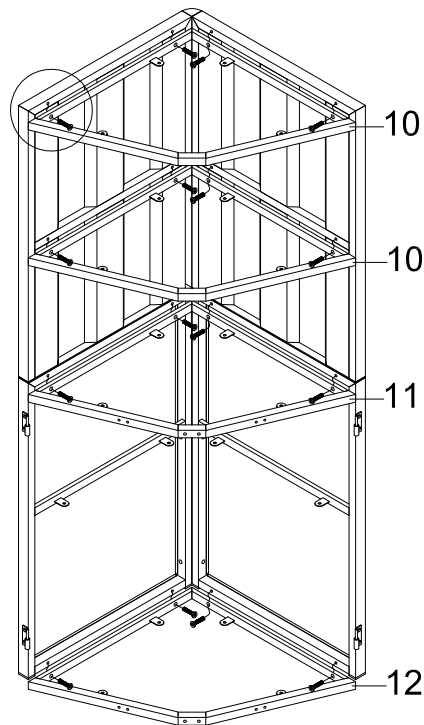
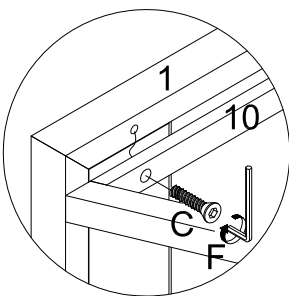
## STEP 3.



B  4pcs

H  1pc

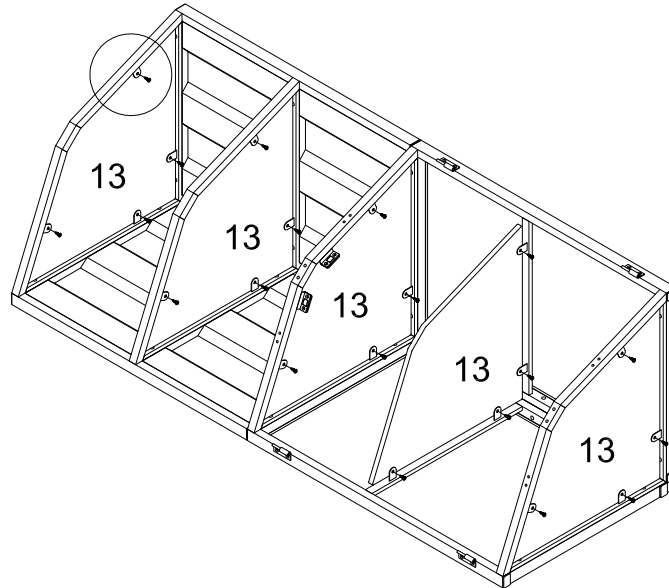
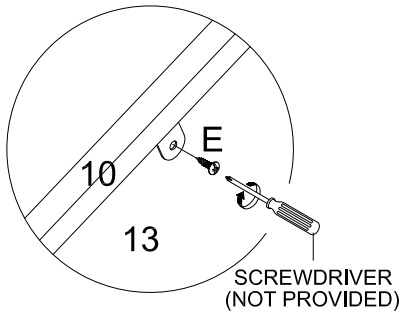
## STEP 4.



C  16pcs

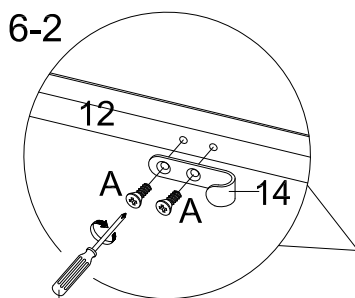
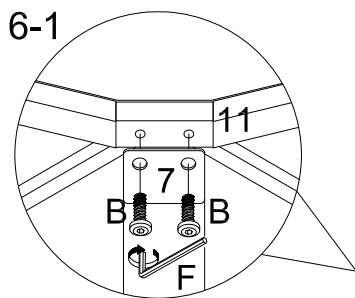
# How to Assemble:

## STEP 5.

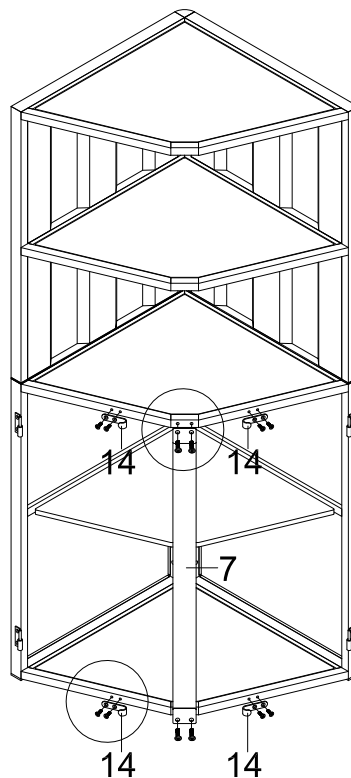


E  20pcs

## STEP 6.



SCREWDRIVER  
(NOT PROVIDED)

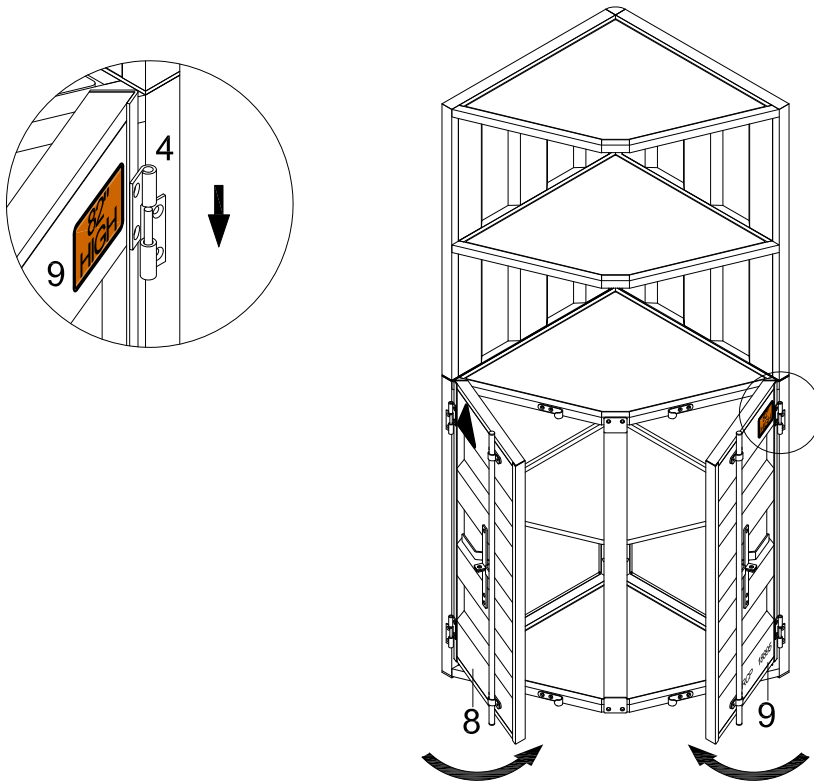


A  8pcs

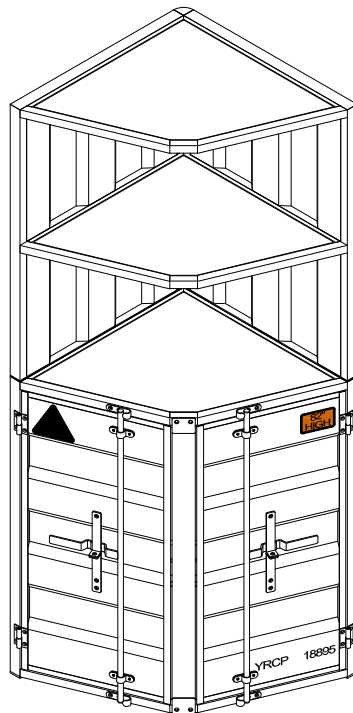
B  4pcs

## How to Assemble:

### STEP 7.

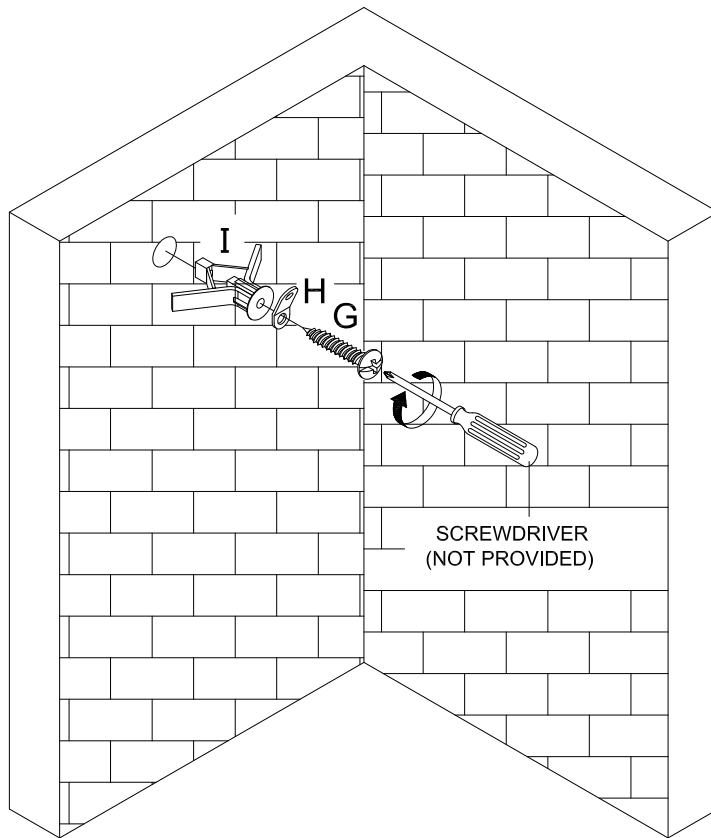





### STEP 8.



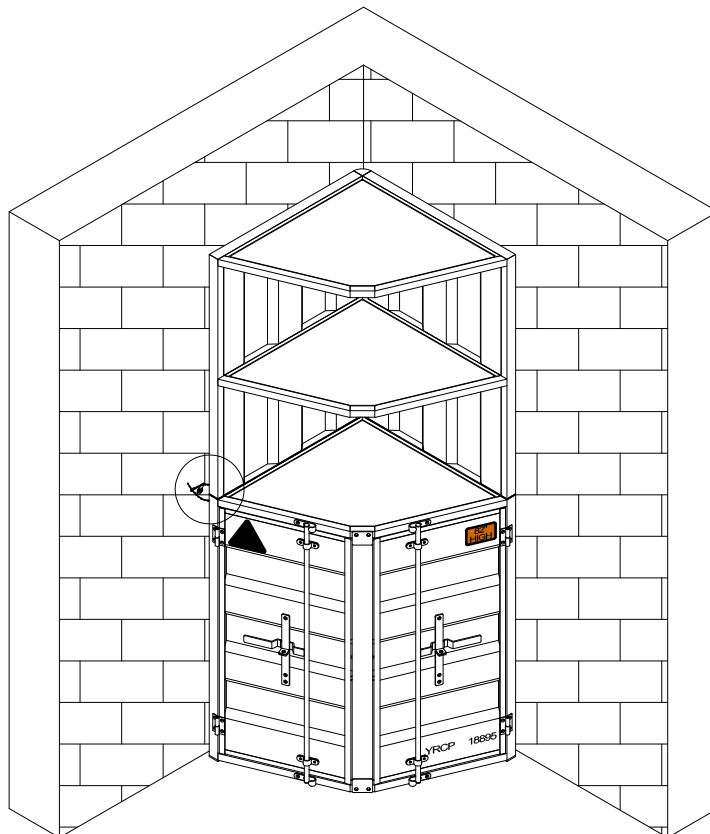
# How to Assemble:

## STEP 9.

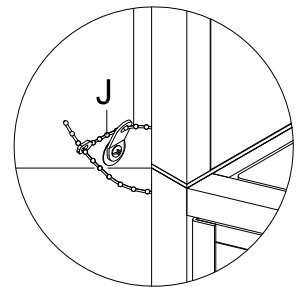


G		1pc
H		1pc
I		1pc

## STEP 10.



To Prevent Tip over  
Product Must Be  
Attached To Wall



J		1pc
---	---	-----