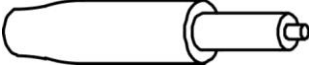

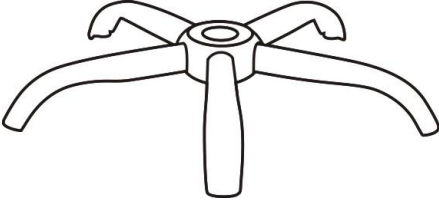
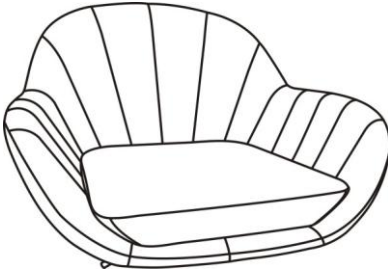



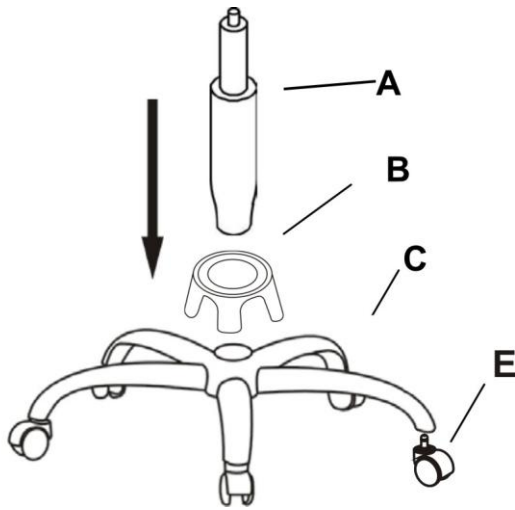
ITEM NO. 92502/92503
OFFICE CHAIR



ASSEMBLY INSTRUCTIONS

| A | B | C |
|--|--|--|
|  <p>GAS LIFT 1PC</p> |  <p>BASE CAP 1PC</p> |  <p>BASE 1PC</p> |
| D | E | |
|  <p>SEAT 1PC</p> |  <p>WHEEL 5PCS</p> | |

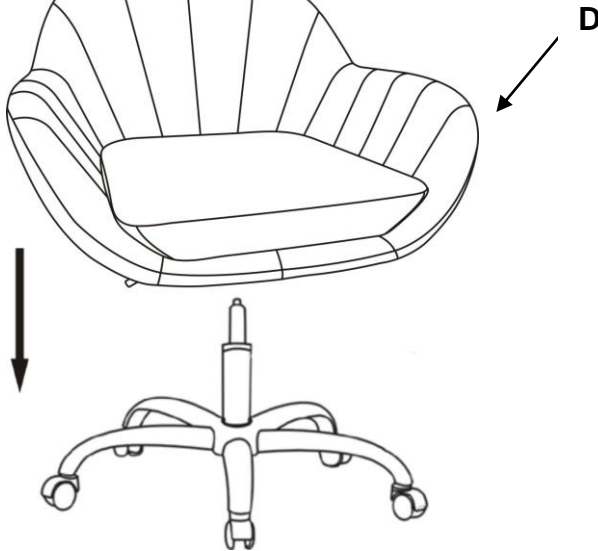
STEP 1



*Please put all parts on a soft surface to prevent scratches.

Attach wheels (E) to the bottom of the base (C), then put the base cap(B) into the base (C), then attach the gas lift (A) to the base (C) as shown.

STEP 2



Attach the seat (D) to the assembled base as shown.

STEP 3



Your office chair is now complete.