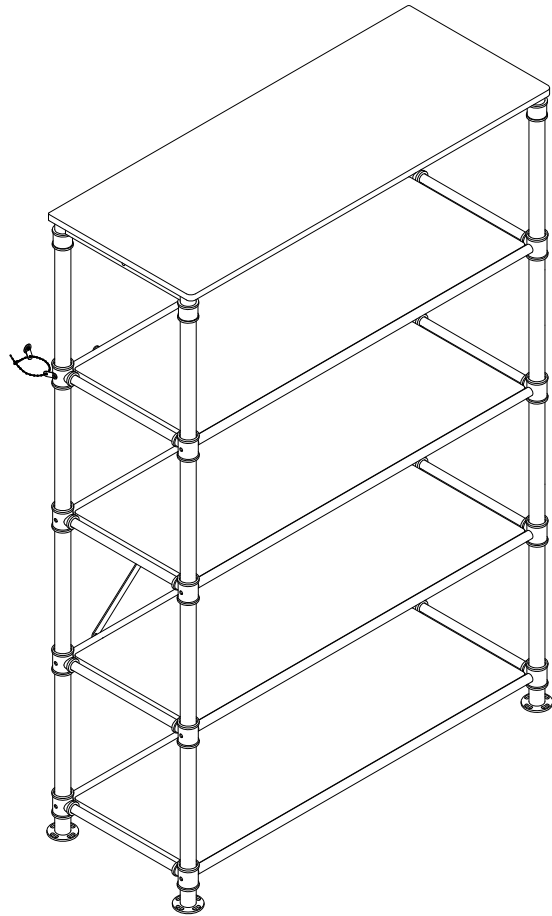


ASSEMBLY INSTRUCTION

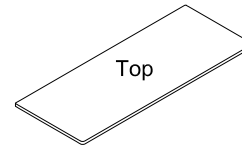
Item No.:92200



Do not tighten screws until completely assembled.

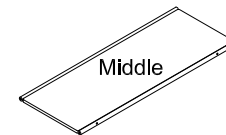
PARTS IDENTIFICATION

A



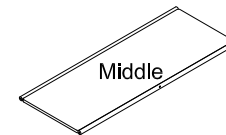
1pc

B



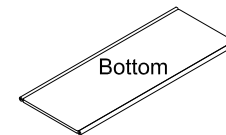
2pcs

C



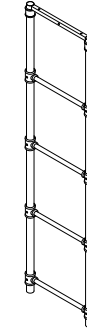
1pc

D



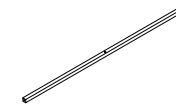
1pc

E



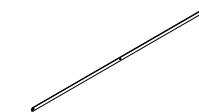
2pcs

F



1pc

G













2pcs

H

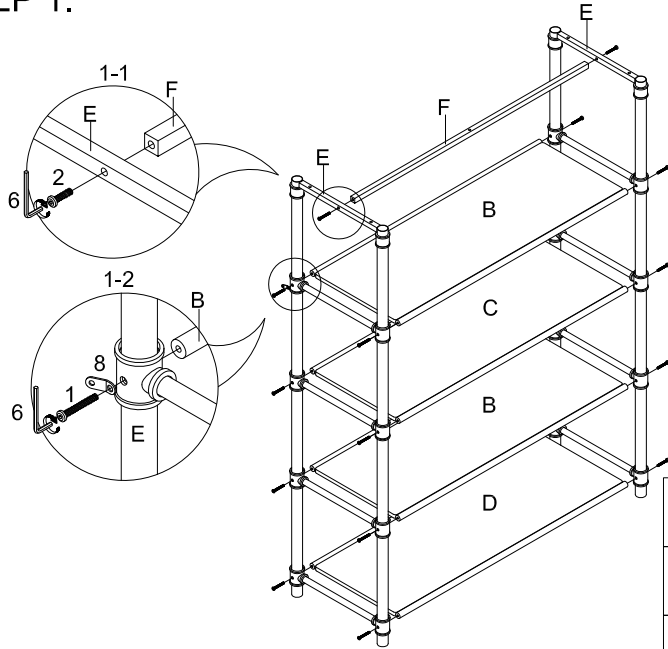


4pcs

HARDWARE LIST

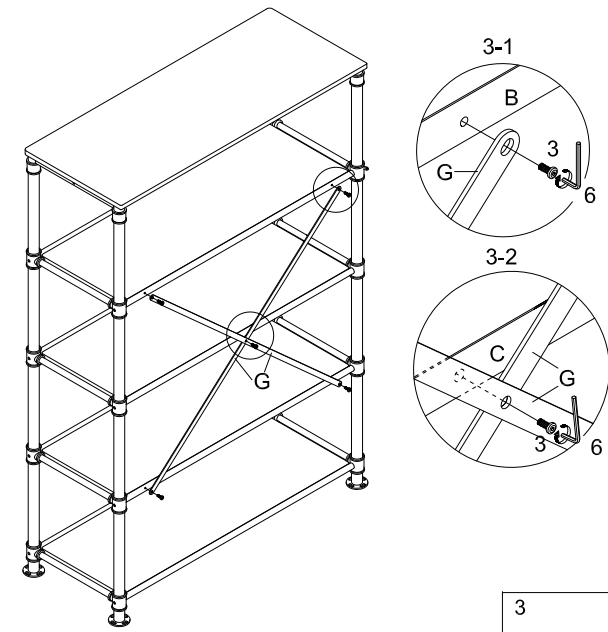
1		16pcs	2		7pcs	3		5pcs
M6x75			M6x35			M6x15		
4		5pcs	5		4pcs	6		1pc
∅20x∅6x1.5			∅40			4x4		
7		1pc	8		2pcs	9		1pc
M4x37								
10		1pc						

STEP 1.



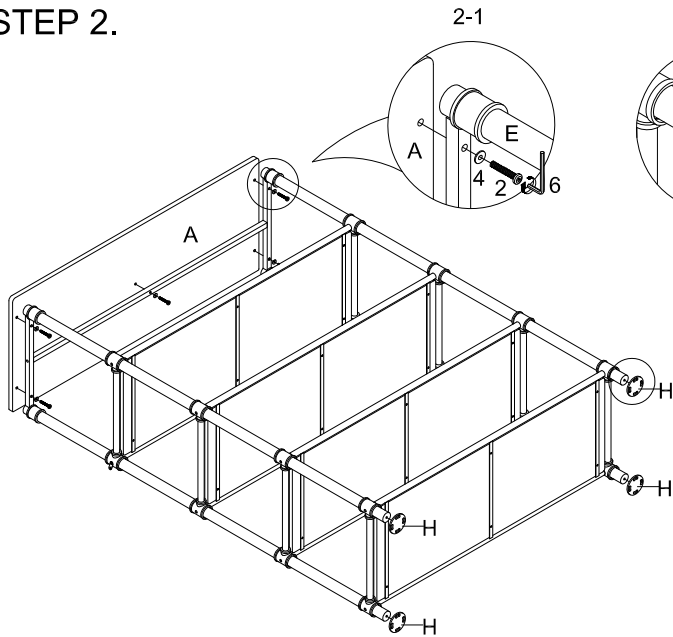
1		M6x75	16pcs
2		M6x35	2pcs
8			1pc

STEP 3.



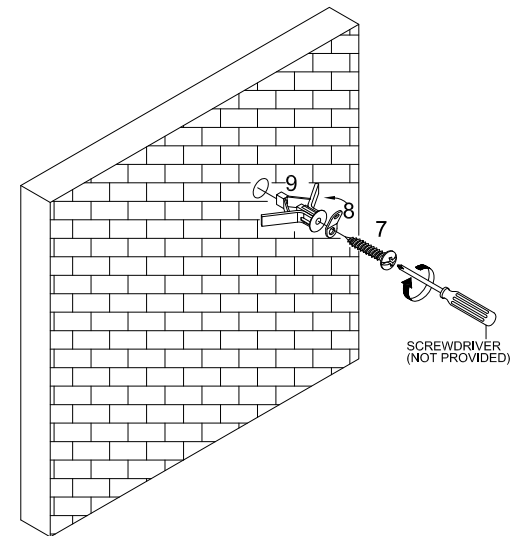
3		M6x15	5pcs
---	--	-------	------

STEP 2.



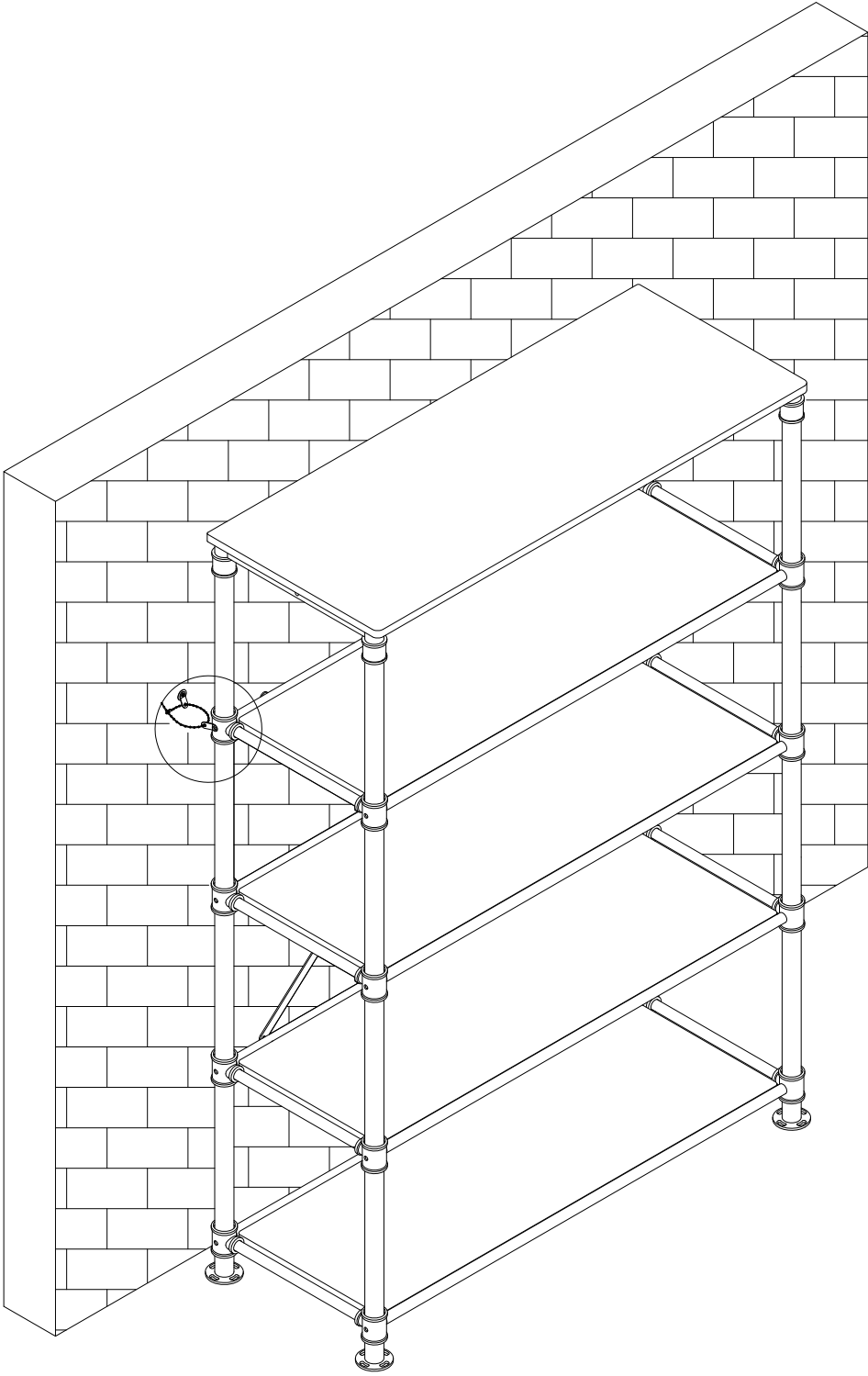
2		M6x35	5pcs
4		∅20x∅6x1.5	5pcs
5		∅40	4pcs

STEP 4.

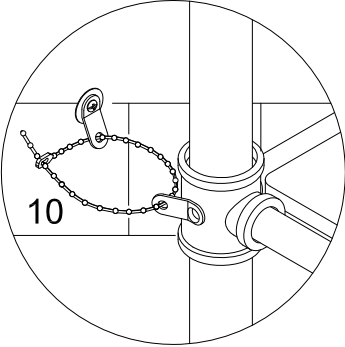



7		M4x37	1pc
8			1pc
9			1pc

STEP 5.



To Prevent Tip over
Product Must Be
Attached To Wall



10		1pc
----	---	-----