

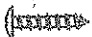


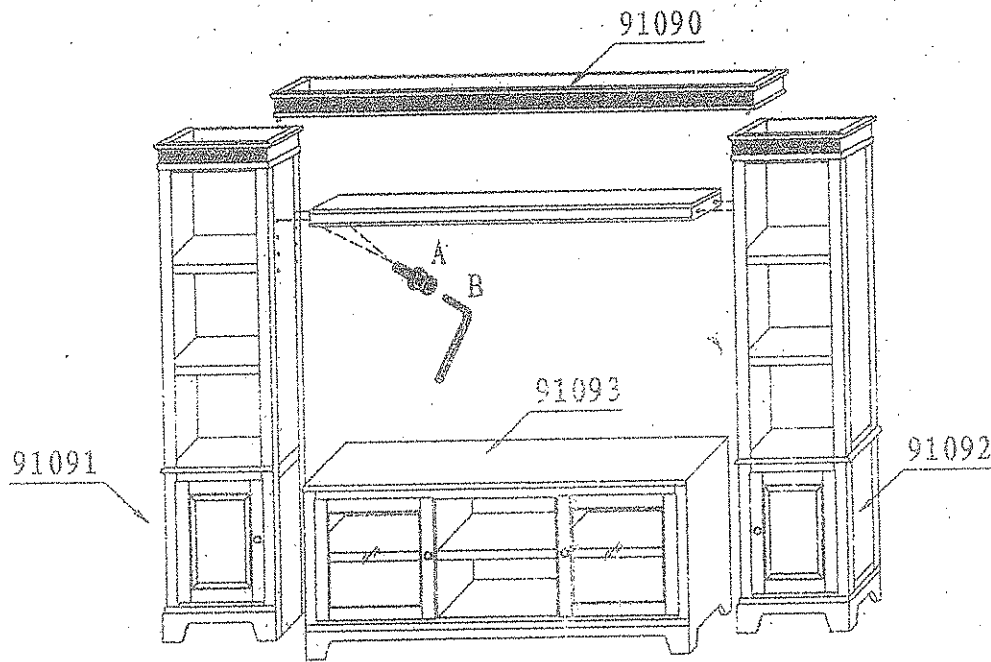
ASSEMBLY INSTRUCTION

ITEM NO. : 91090&91091&91092&91093

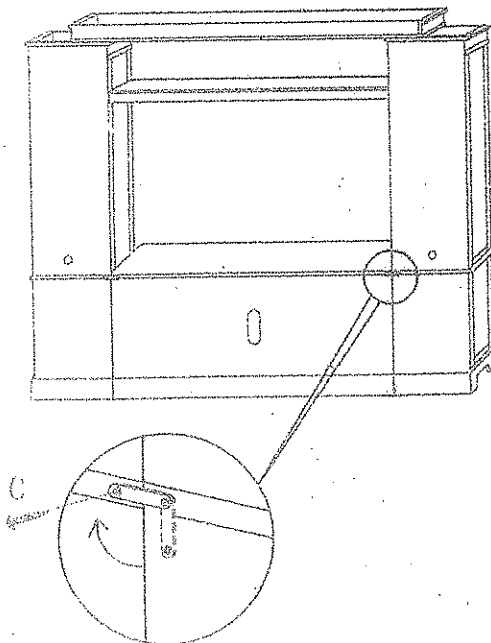
NOTE: DON'T TIGHTEN SCREWS UNTIL COMPLETELY ASSEMBLED !

HARDWARE LIST			
A		Ø1/4" * 1-1/4"	4 PCS
B		Ø1/4"	1 PC
C		8# x 1"	2 PCS

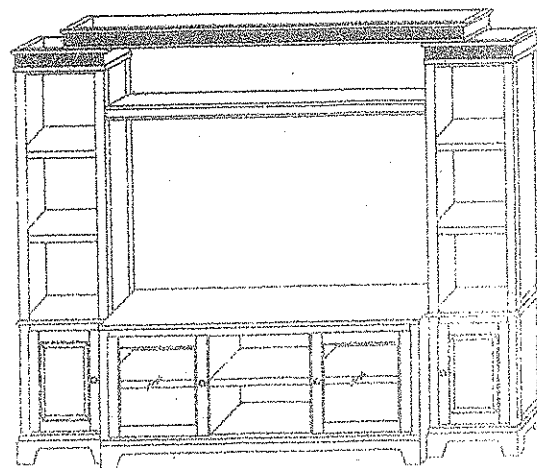
STEP#1



STEP#2



STEP#3



Assembly completed