
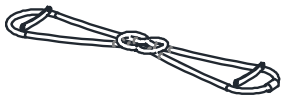


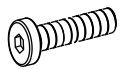





ITEM NO. 83940 COFFEE TABLE

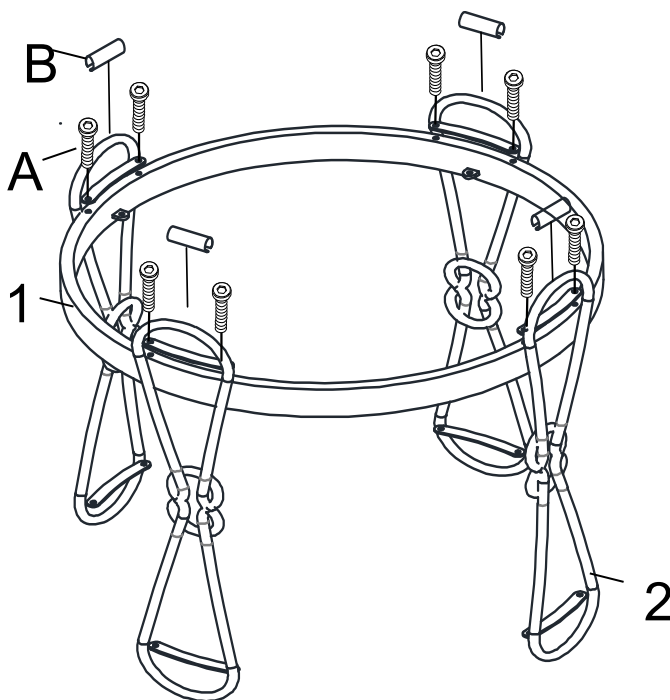


ASSEMBLY INSTRUCTIONS

1	2	3	4
 <p>Metal Frame 2pcs</p> <p>A</p>	 <p>Leg 4pc</p> <p>B</p>	 <p>Glass Top 1pc</p> <p>C</p>	 <p>Mirror Shelf 1pc</p> <p>D</p>
 <p>Bolt 1/4" X 1/2" 16pcs</p>	 <p>Foot Pad 4pcs</p>	 <p>Glass Pad 8pcs</p>	 <p>Allen Wrench 1pc</p>

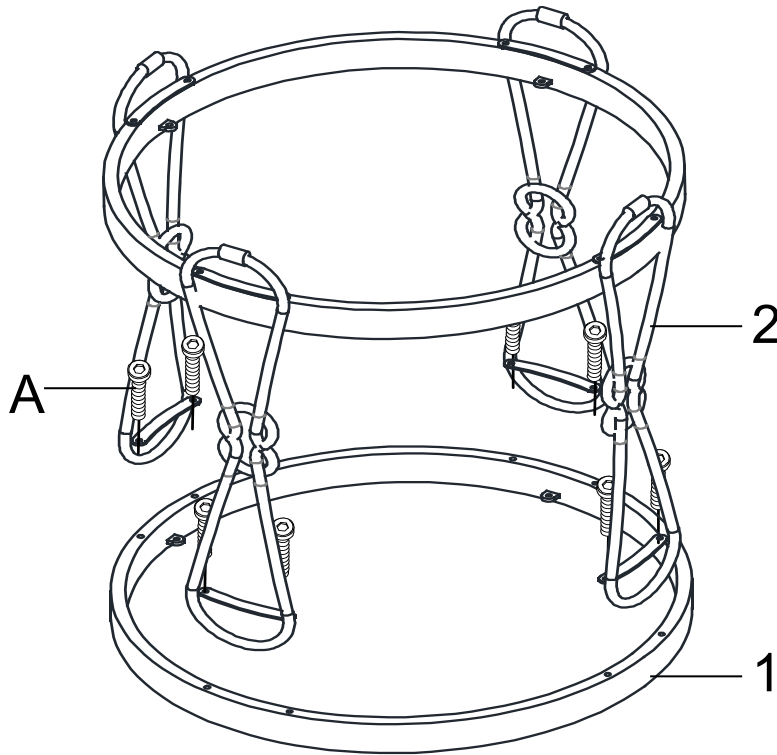
***** Do not tighten screws & bolts until the entire unit is completely assembled. *****

STEP 1



Attach leg (2) to metal frame (1) by using bolt (A) and attach foot pad (B) to leg (2) as shown.

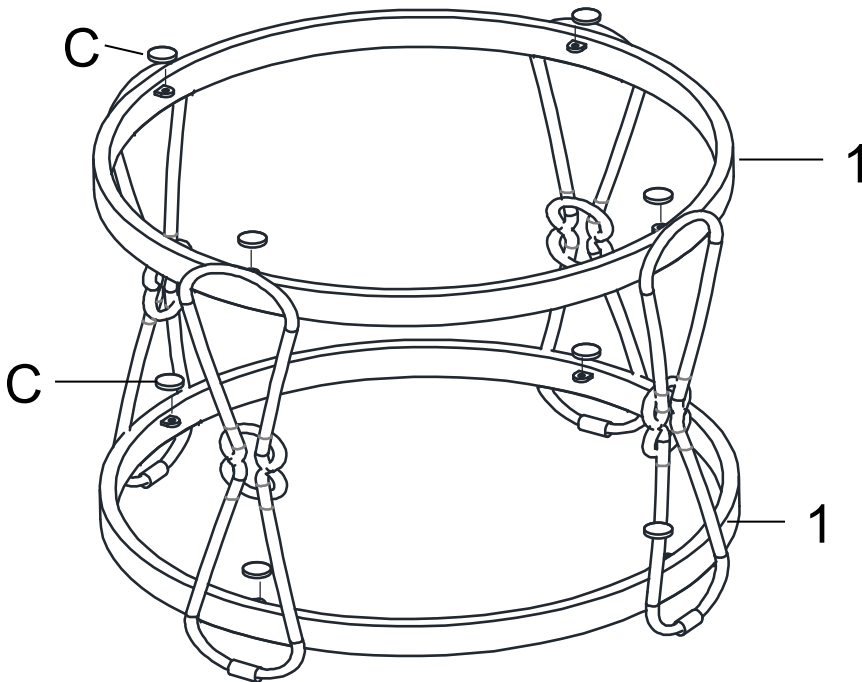
STEP 2



Attach leg (2) to metal frame (1) by using bolt (A) as shown.

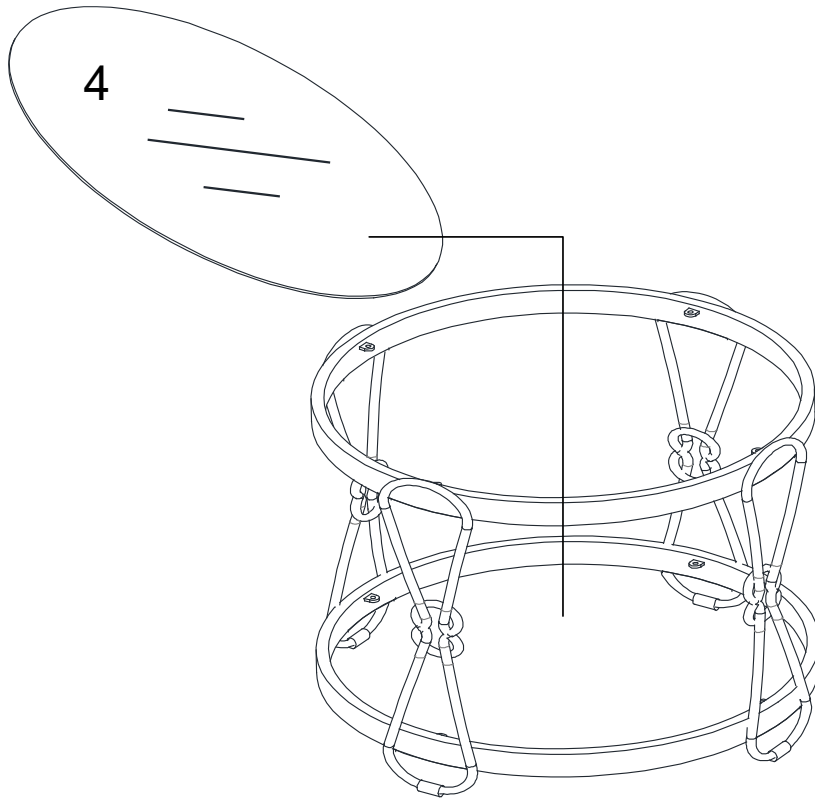
Tighten all bolts and carefully turn the assembled unit upright.

STEP 3



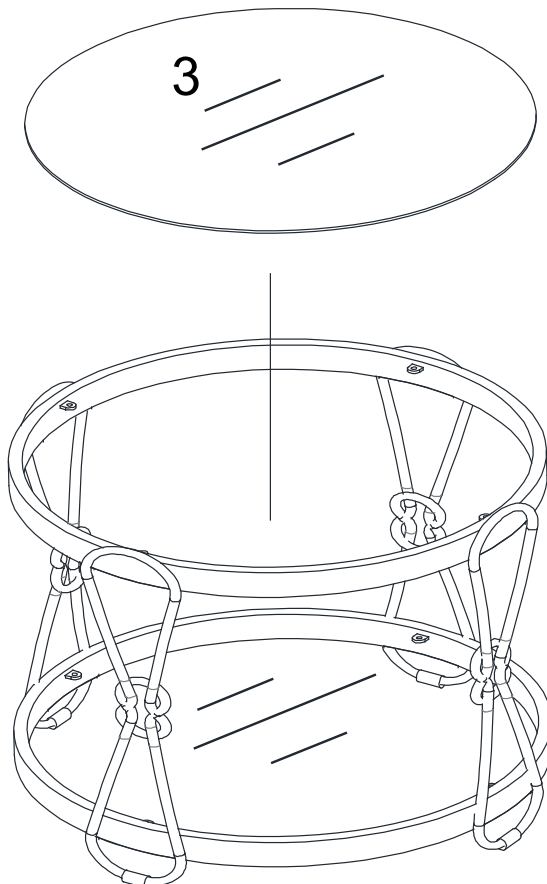
Attach glass pad (C) to metal frame (1) as shown.

STEP 4



Place mirror shelf (4) to metal frame (1) as shown.

STEP 5



Place glass top (3) to metal frame (1) as shown.