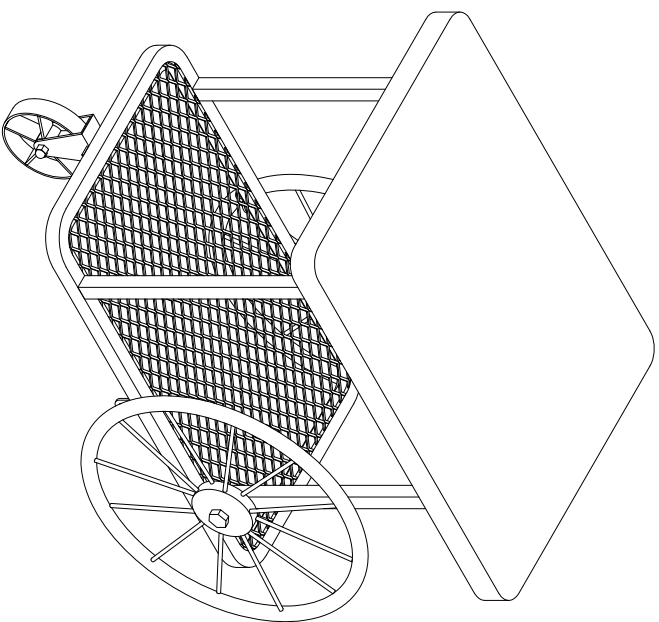


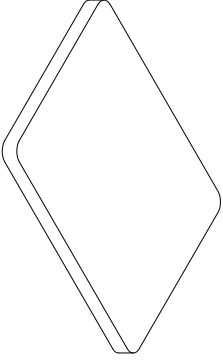
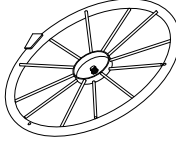
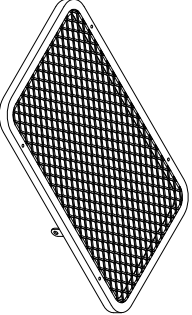

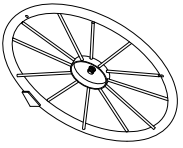

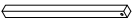

ASSEMBLY INSTRUCTIONS

Item No.:82862



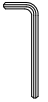
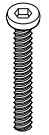

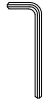


Do not tighten screws until completely assembled.

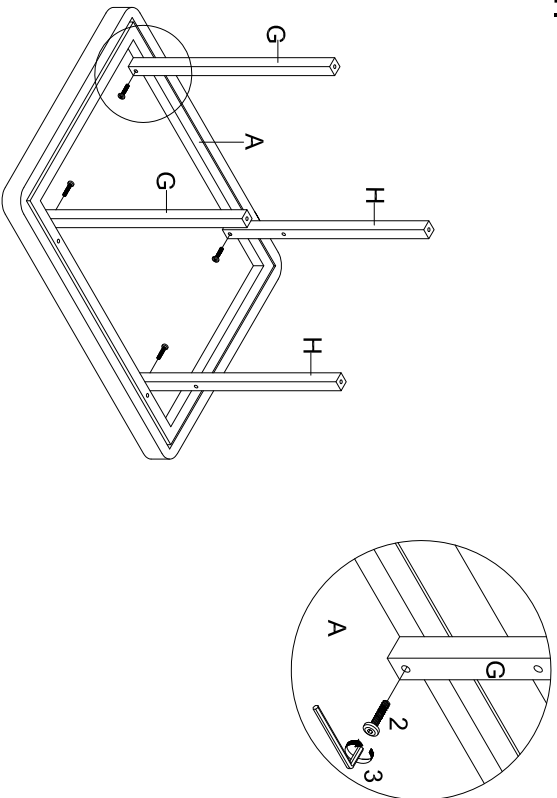
PARTS IDENTIFICATION

<p>A</p>  <p>1pc</p>	<p>D</p>  <p>1pc</p>
<p>B</p>  <p>1pc</p>	<p>E</p>  <p>1pc</p>
<p>C</p>  <p>1pc</p>	<p>F</p>  <p>1pc</p>
	<p>G</p>  <p>2pcs</p>
	<p>H</p>  <p>2pcs</p>

HARDWARE LIST

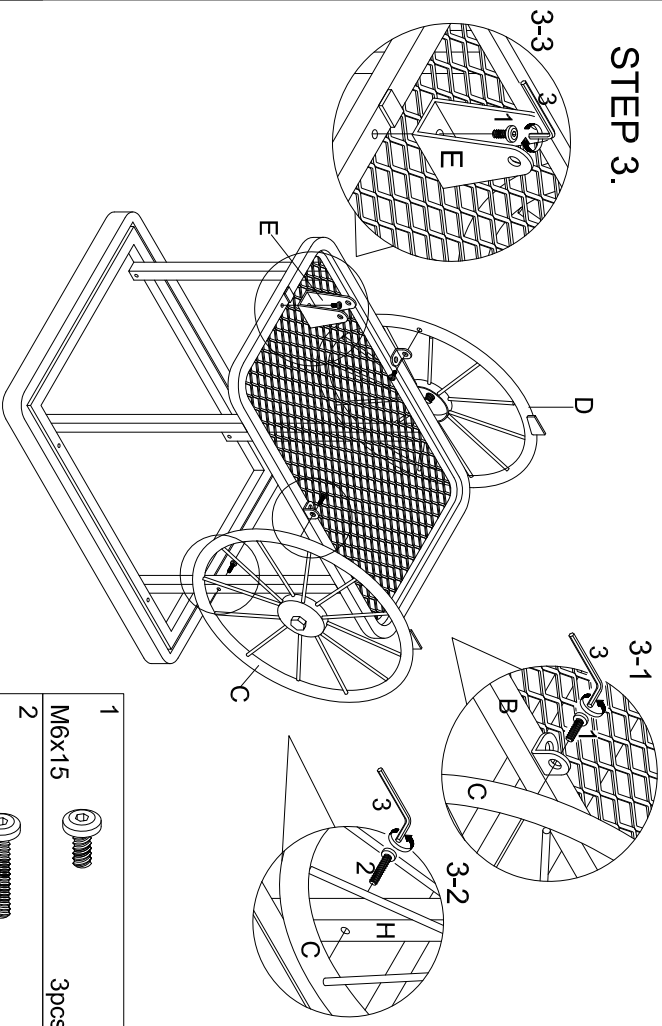
<p>1</p>  <p>M6x15 3pcs</p>	<p>2</p>  <p>M6x35 10pcs</p>	<p>3</p>  <p>4x4 1pc</p>
<p>4</p>  <p>M8x40 1pc</p>	<p>5</p>  <p>1pc</p>	<p>6</p>  <p>5x5 1pc</p>

STEP 1.



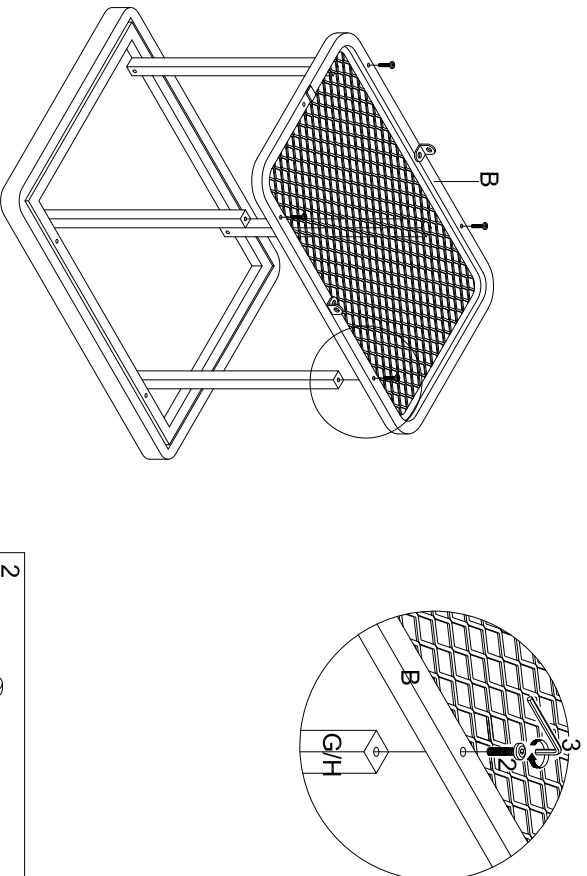
- 2 M6x35
- 4pcs

STEP 3.



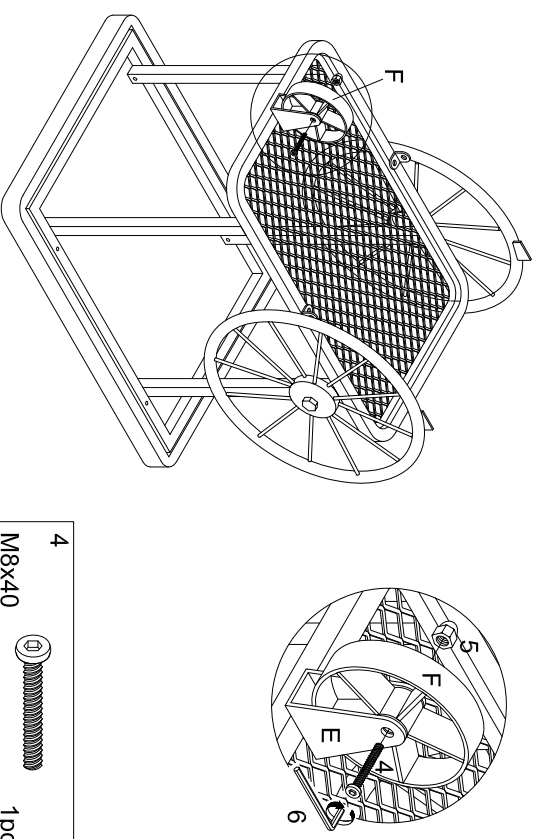
- 1 M6x15
- 3pcs
- 2 M6x35
- 2pcs

STEP 2.



- 2 M6x35
- 4pcs

STEP 4.



- 4 M8x40
- 1pc
- 5
- 1pc