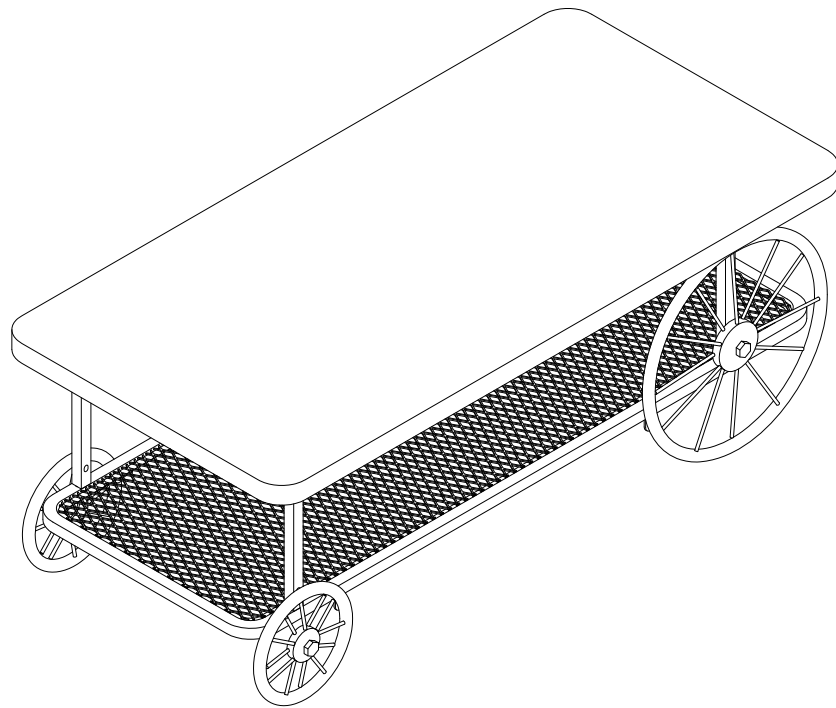
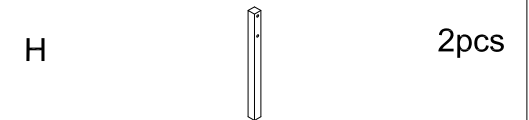
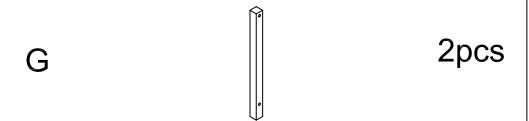
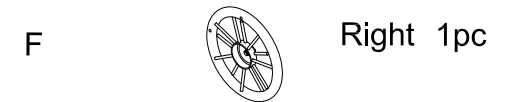
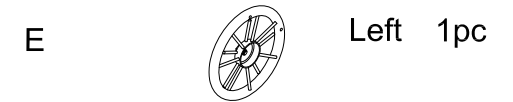
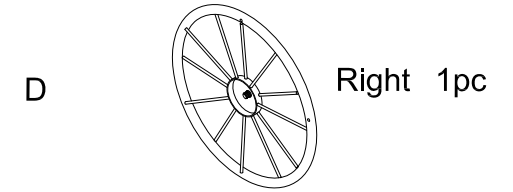
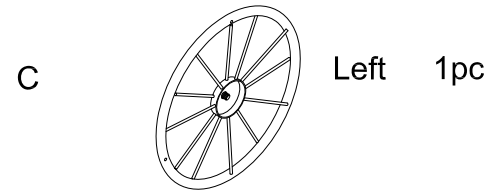
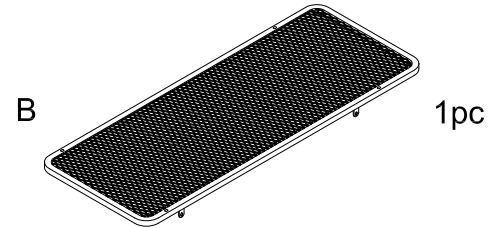
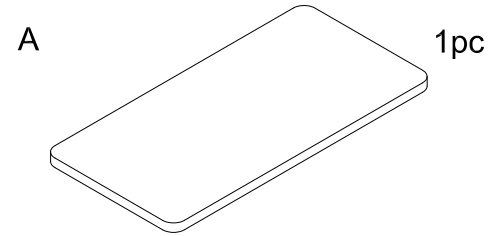


ASSEMBLY INSTRUCTIONS




Item No.:82860



PARTS IDENTIFICATION

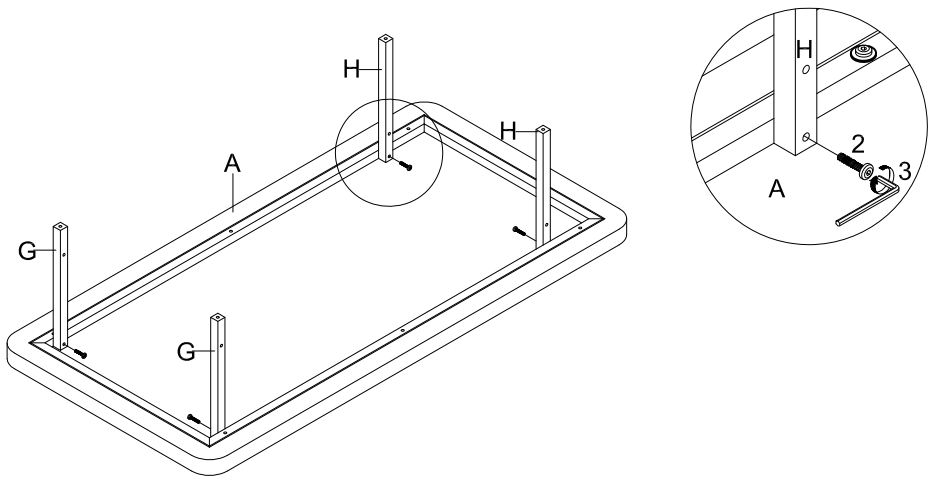



HARDWARE LIST

1		4pcs	2		12pcs	3		1pc
M6x15			M6x35			4x4		

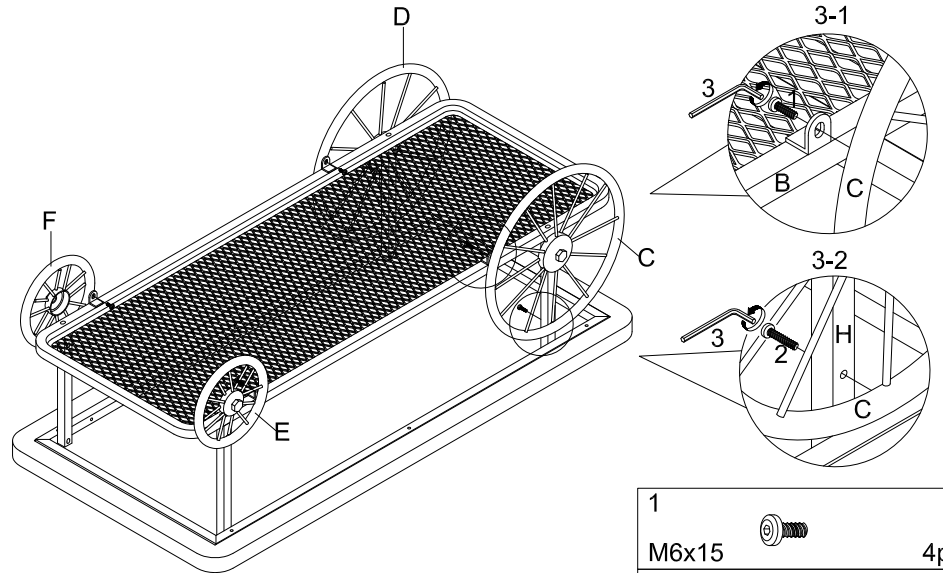
Do not tighten screws until completely assembled.



STEP 1.



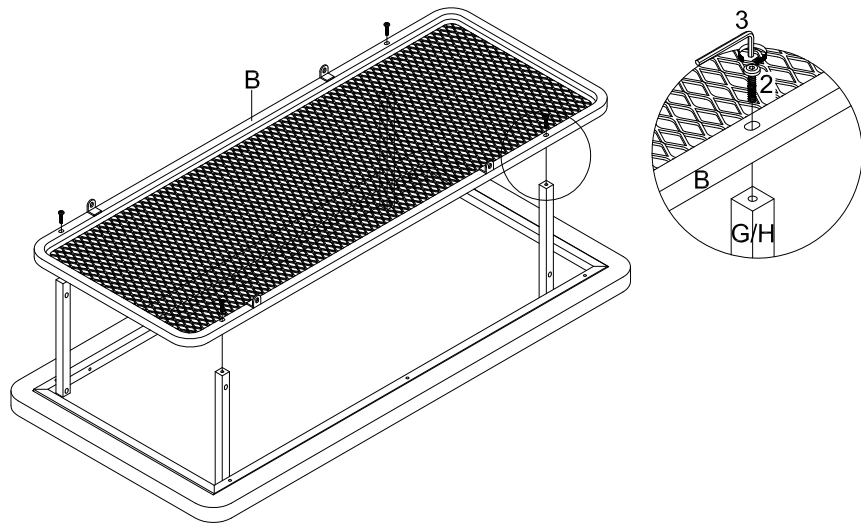
2
M6x35  4pcs


STEP 3.



1		4pcs
M6x15		
2		4pcs
M6x35		

STEP 2.



2
M6x35  4pcs

STEP 4.

