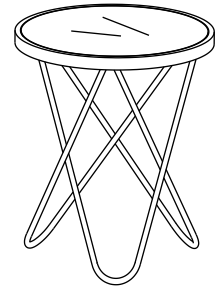
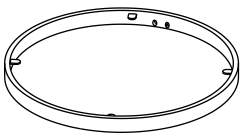
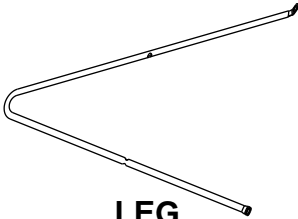
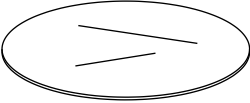
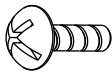
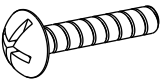



**ITEM NO. 81827 WHITE/CHAMPAGNE  
81832 BLACK/ CHAMPAGNE**



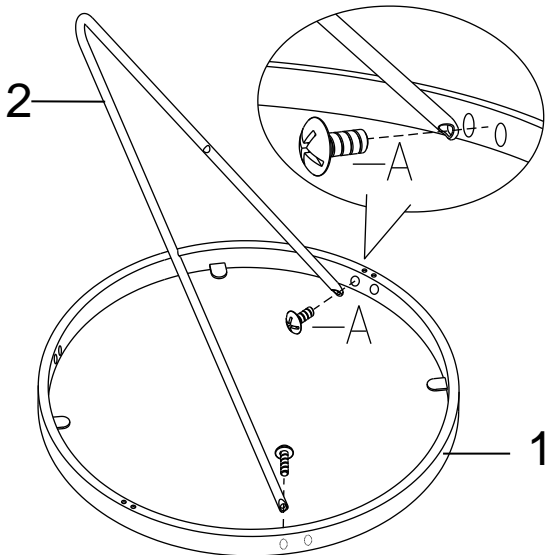
**END TABLE**

**ASSEMBLY INSTRUCTIONS**

1	2	3
 <p><b>TOP FRMAE 1PC</b></p> <p><b>A</b></p>	 <p><b>LEG 3PCS</b></p> <p><b>B</b></p>	 <p><b>GLASS TOP 1PC</b></p> <p><b>C</b></p>
 <p><b>BOLT 3/16"X3/8" 6PCS</b></p>	 <p><b>BOLT 3/16"X3/4" 3PCS</b></p>	 <p><b>GLASS PAD 4PCS</b></p>

**\*\*\* Do not tighten screws & bolts until the entire unit is completely assembled. \*\*\***

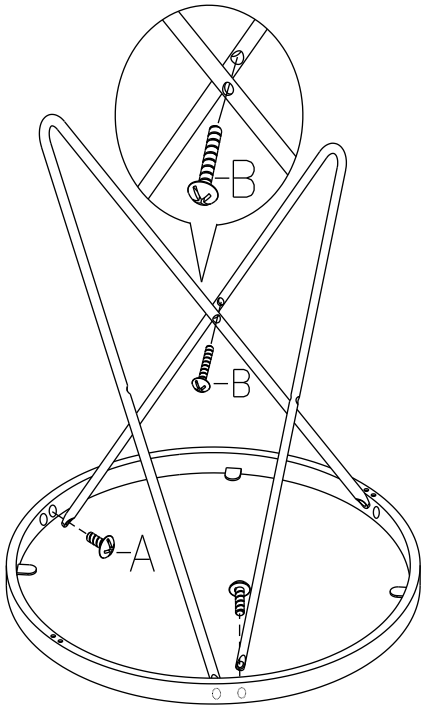
**STEP 1**



\*Please put all parts on a soft surface to prevent scratches.

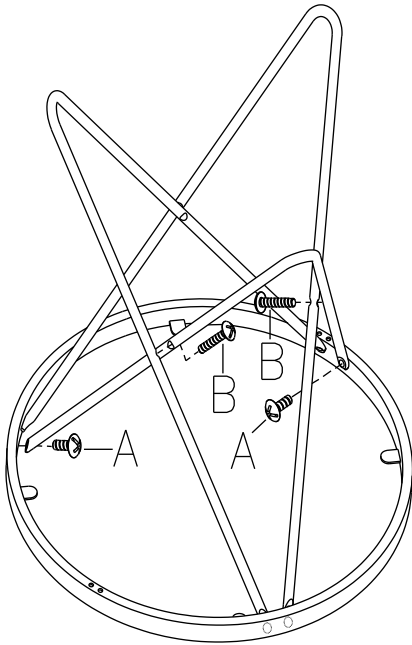
Attached leg (2) one by one to top frame (1) by using bolt (A) as shown accordingly.

## STEP 2



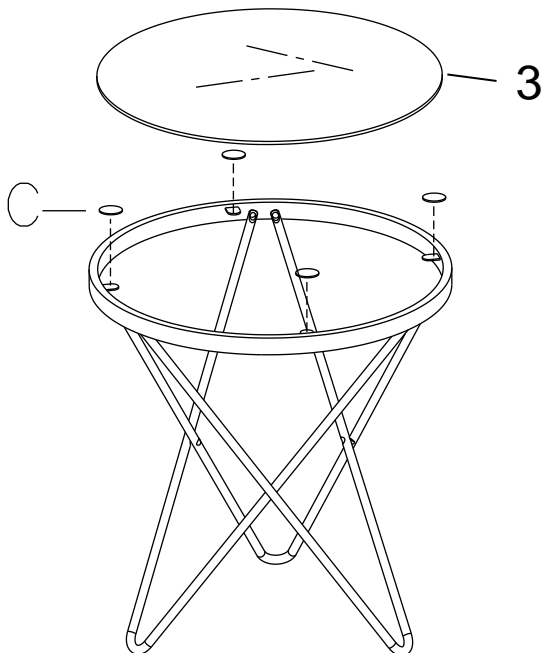
Repeat same step to attach leg (2) to top frame (1) by using bolt (A) and bolt (B) as shown.

## STEP 3



Repeat accordingly by using bolt (A) and bolt (B) again.

## STEP 4



Turn the unit right side up and put glass pad (C) onto top frame as shown then put on glass top (3).

Your end table is now complete.