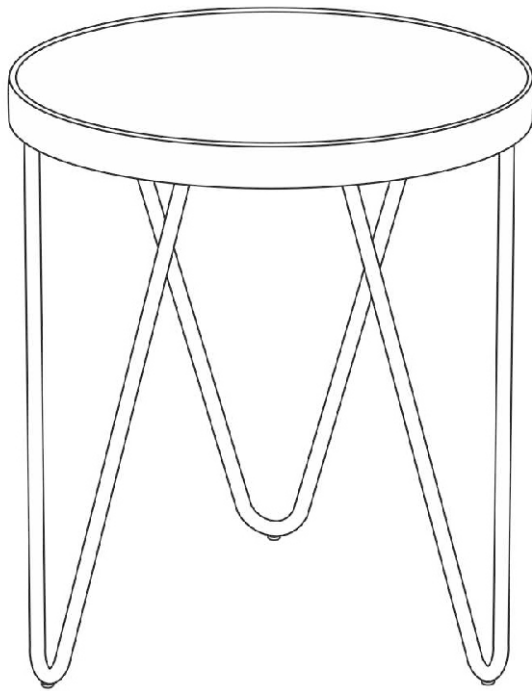


*ASSEMBLY INSTRUCTIONS*

81737



**END TABLE**

# ASSEMBLY INSTRUCTIONS



F x6



D x6

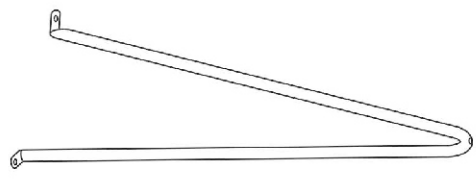


G x1

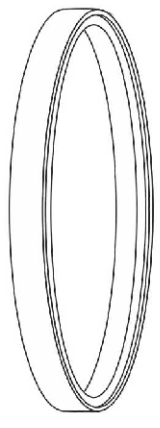


E x3

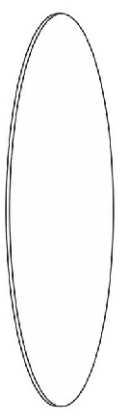
C x3



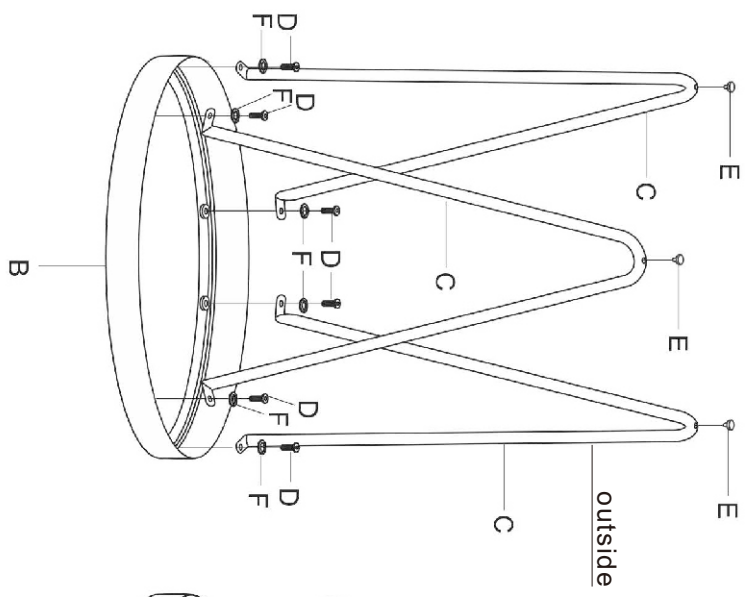
B x1



A x1



①



②

