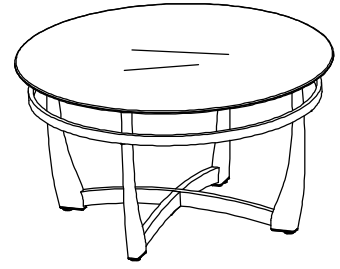
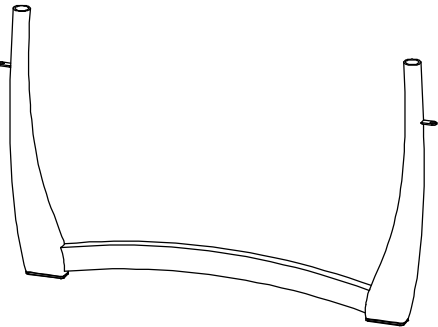
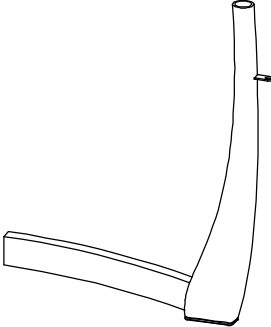
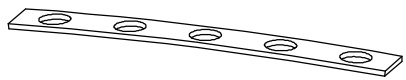
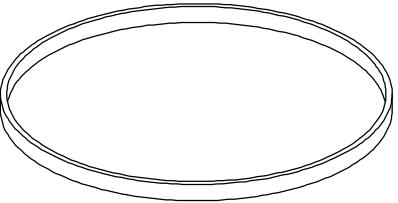
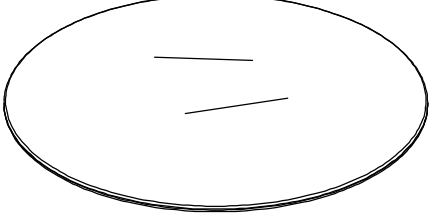
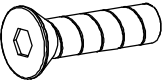
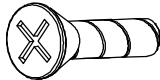

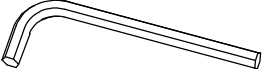


ITEM NO. 81610 COFFEE TABLE

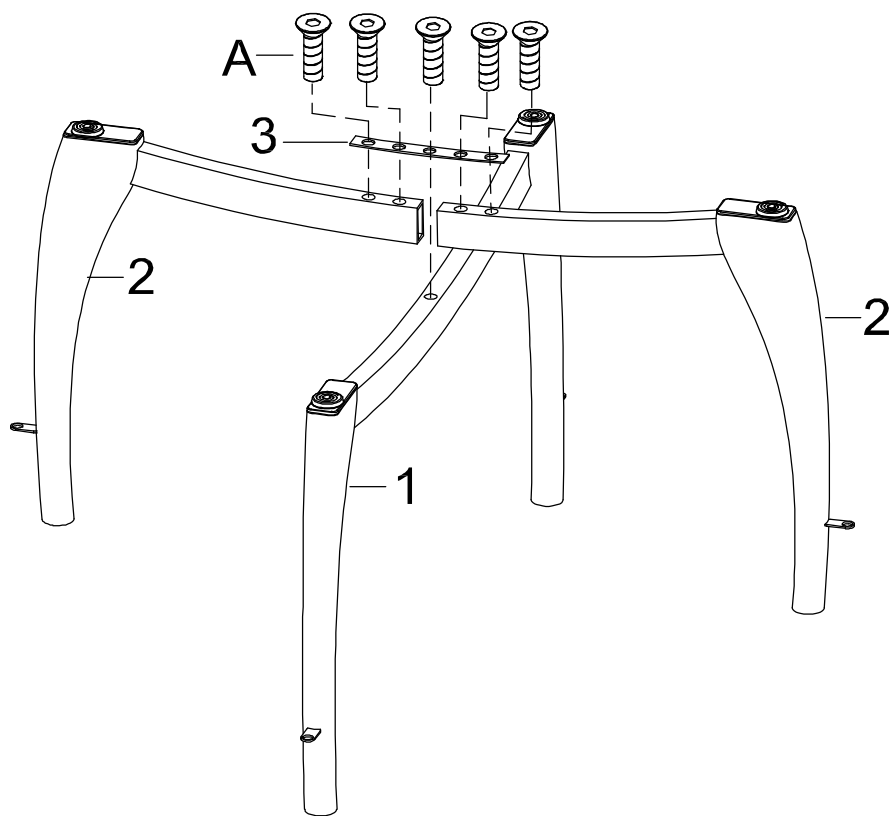


ASSEMBLY INSTRUCTIONS

<p style="text-align: center;">1</p>  <p style="text-align: center;">LONG STRETCHER 1PC</p>	<p style="text-align: center;">2</p>  <p style="text-align: center;">SHORT STRETCHER 2PCS</p>	<p style="text-align: center;">3</p>  <p style="text-align: center;">CONNECTOR PIECE 1PC</p>	
<p style="text-align: center;">4</p>  <p style="text-align: center;">TOP FRAME 1PC</p>	<p style="text-align: center;">5</p>  <p style="text-align: center;">GLASS TOP 1PC</p>		
<p style="text-align: center;">A</p>  <p style="text-align: center;">BOLT 1/4"X1/2" 5PCS</p>	<p style="text-align: center;">B</p>  <p style="text-align: center;">SCREW 3/16"X3/8" 4PCS</p>	<p style="text-align: center;">C</p>  <p style="text-align: center;">CAP 4PCS</p>	<p style="text-align: center;">D</p>  <p style="text-align: center;">ALLEN KEY 1PC</p>

***** Do not tighten screws & bolts until the entire unit is completely assembled. *****

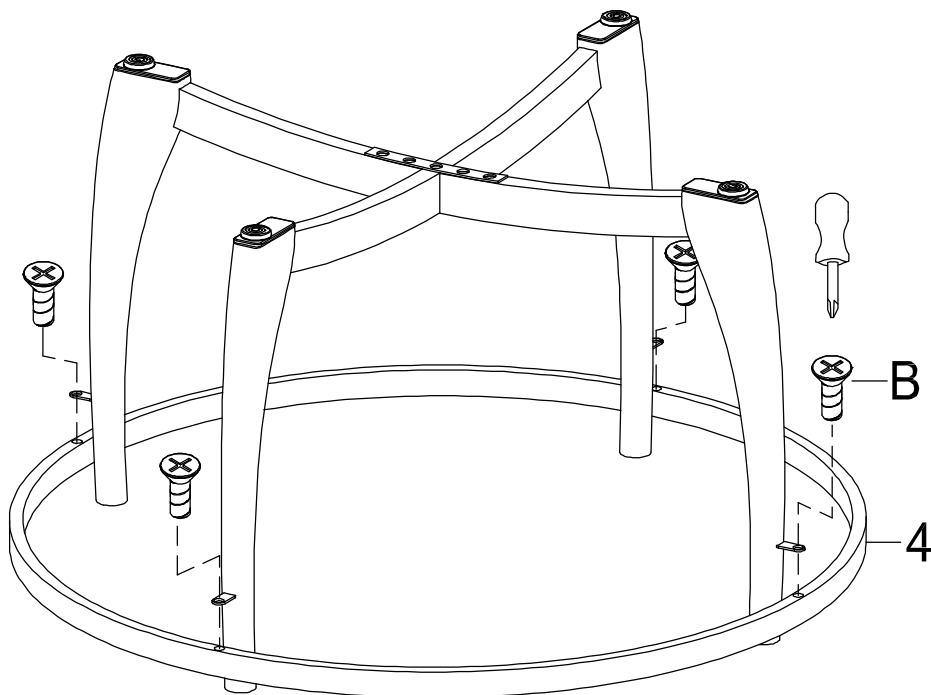
STEP 1



*Please put all parts on a soft surface to prevent scratches.

Attach short stretcher (2) to long stretcher (1) by using connector piece (3) and bolt (A) as shown.

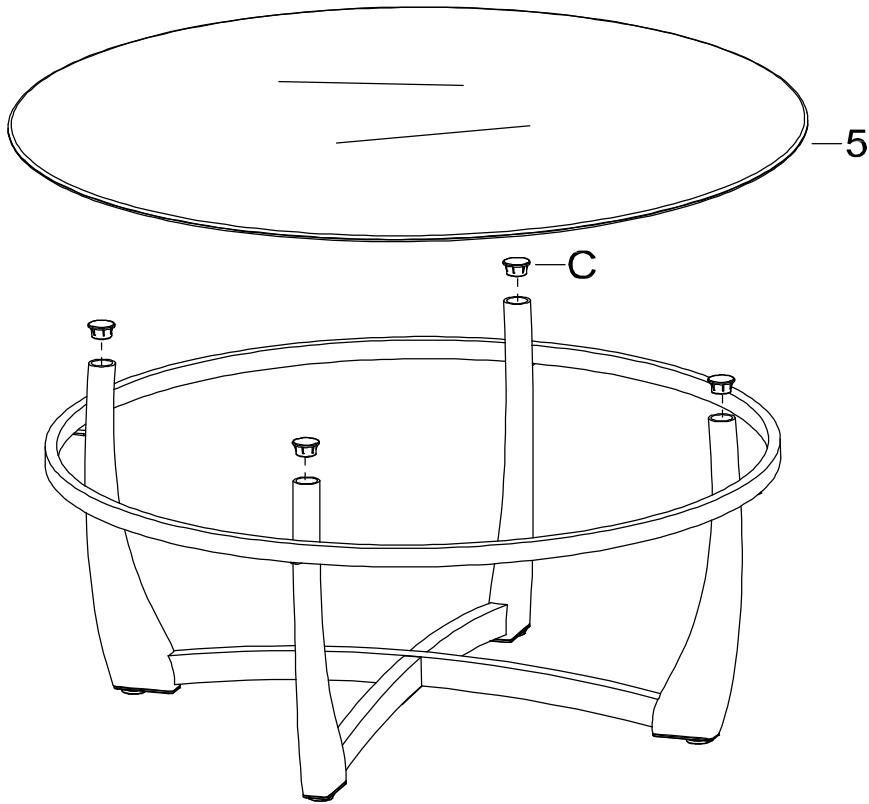
STEP 2



Attach top frame (4) to stretchers by using screw (B) as shown.

Tighten all bolts and screws firmly.

STEP 3



Turn the unit right side up and insert cap (C) into the end of stretchers, then put on glass top (5) as shown.

Your coffee table is now complete.