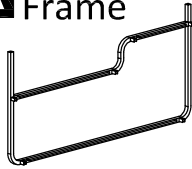
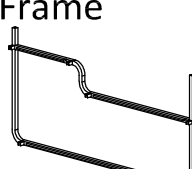

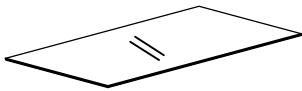
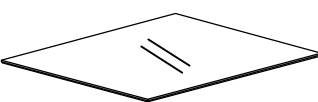

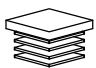
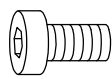

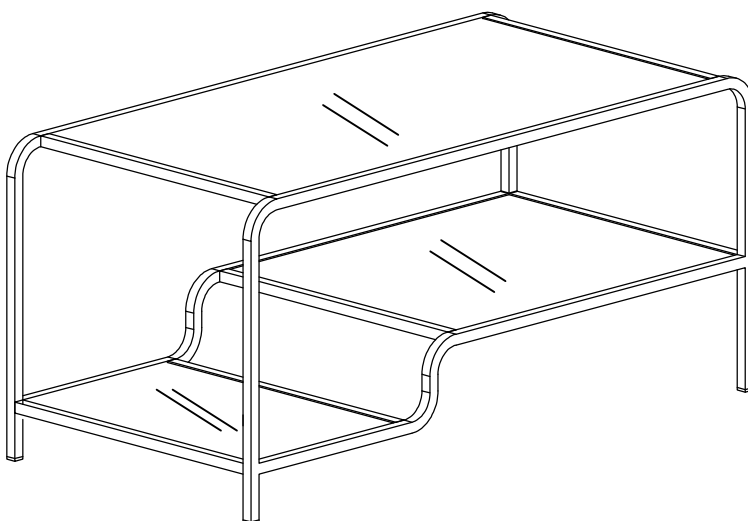


ASSEMBLY INSTRUCTION

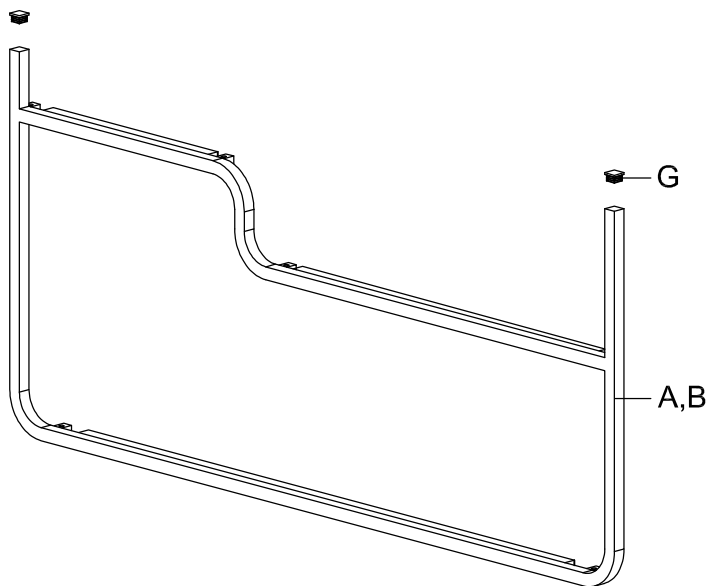
A Left Side Frame 1 pc 	B Right Side Frame 1 pc 	C Cross Bar 20SQ*570mm 6 pcs 	D Mirror Top 567*1131mm 1 pc 
E Mirror Shelf 567*623mm 1 pc 	F Mirror Bottom Shelf 567*468mm 1 pc 	G Tube End Cap 20mm SQ 4 pcs 	H Bolt $\frac{1}{4} \times \frac{1}{2}$ 12 pcs 
I Allen Wrench 4mm 1 pc 			



This page lists all the contents included in the box. Please take the time to identify the hardware as well as the individual components to this product. As you unpack and prepare for assembly, place the contents on a carpeted or padded area to protect them from damage.

1

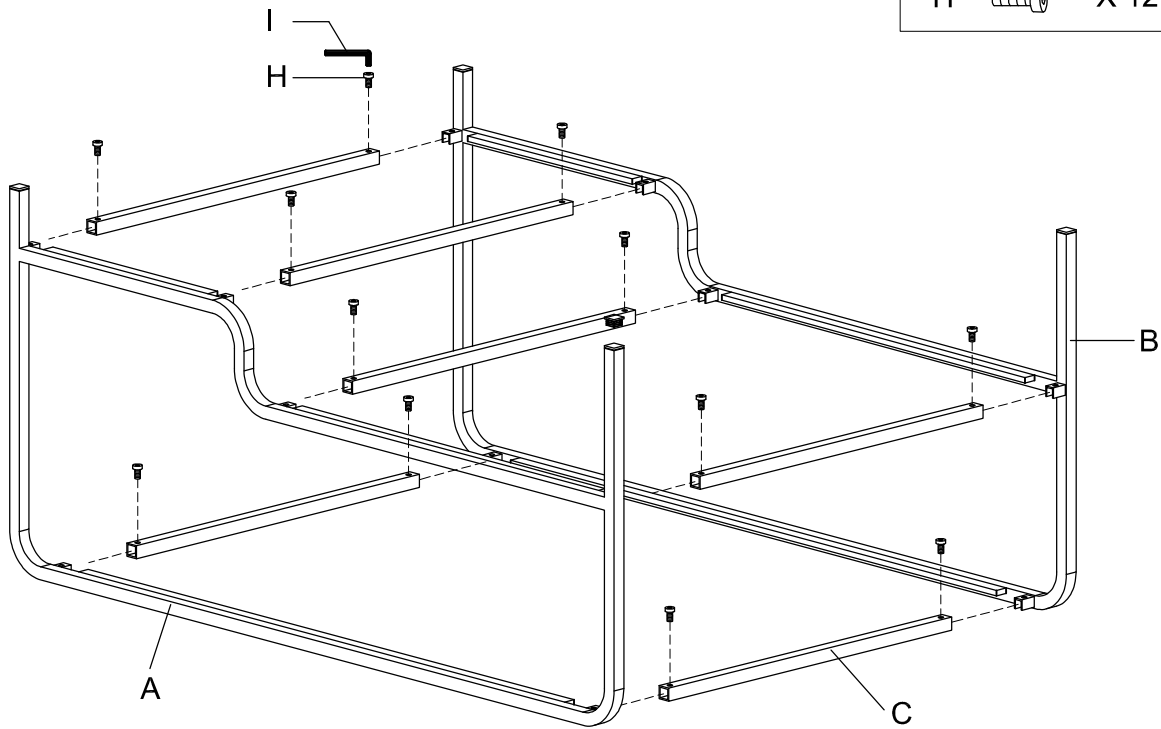
Install tube end cap (G) on the left side frame (A) and right side frame (B) as shown in drawing.


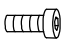


G  X 4 pcs

2

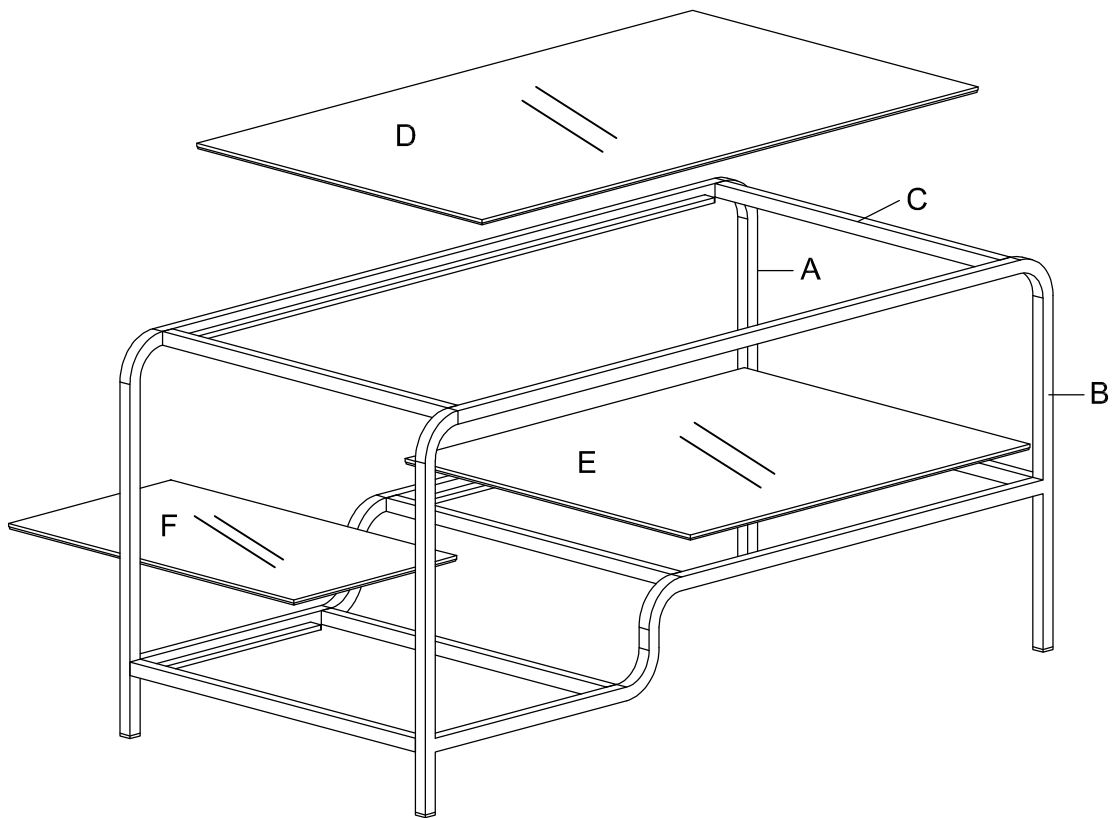
Assemble cross bar (C) to left side frame (A) and right side frame (B) with bolt (H) and fasten it up by use of Allen wrench (I).



I  X 1 pc
H  X 12 pcs

3

Upright the subassembly unit (A, B and C). Then place mirror top (D), mirror shelf (E) and mirror bottom shelf (F) onto the frame as shown in drawing.



Cleaning & Care

Treat surface with care. Surface is resistant to scratches but is not scratch resistant. Clean surfaces with a dry or damp soft cloth. Do not use abrasive cleaners. Hardware may loosen over time. Periodically check that all connections are tight.