


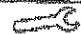







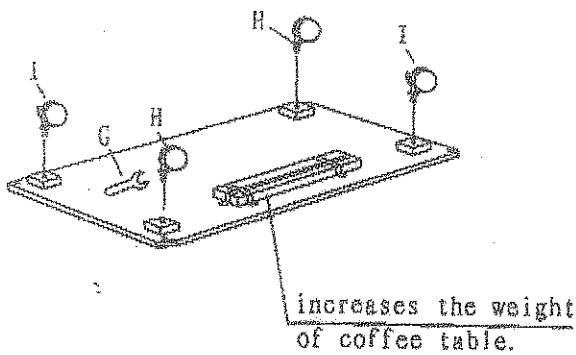
# ASSEMBLY INSTRUCTION

## #80254 LIFT TOP COFFEE TABLE

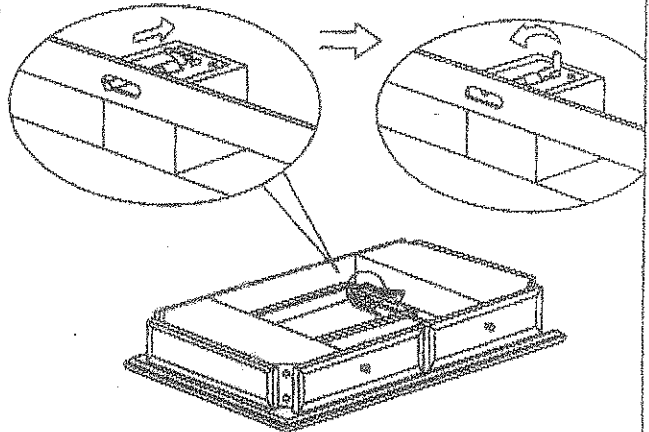
NOTE: DON'T TIGHTEN SCREWS UNTIL COMPLETELY ASSEMBLED !

| HARDWARE LIST |   |              |        |   |  |  |       |
|---------------|---|--------------|--------|---|--|--|-------|
| A             |  | Ø1/4"X2"L    | 8 PCS  | F |  |  | 4 PCS |
| B             |  | Ø1/4"X5/8" L | 8 PCS  | G |  |  | 1 PC  |
| C             |  | Ø1/4"        | 16 PCS | H |   |  | 2 PCS |
| D             |  | Ø1/4" X19mm  | 16 PCS | I |   |  | 2 PCS |
| E             |  | 4mm          | 1 PC   |   |  |  |       |

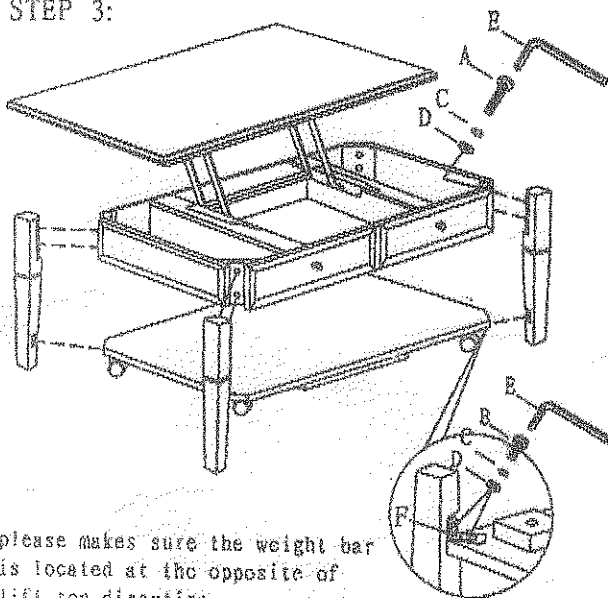
STEP 1:



STEP 2:



STEP 3:



STEP 4:

