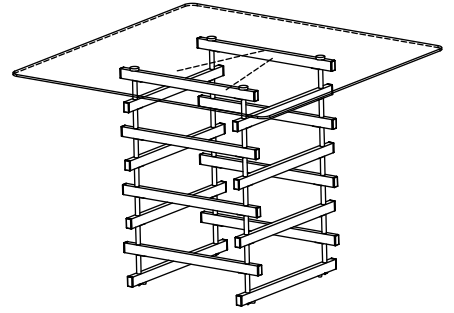
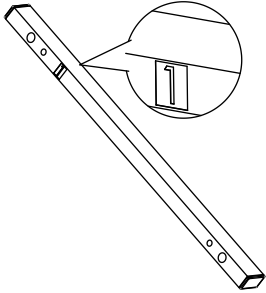
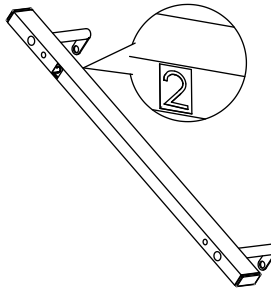
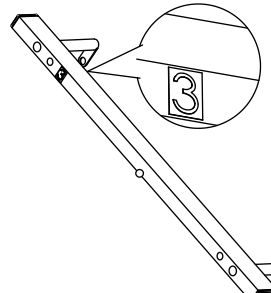
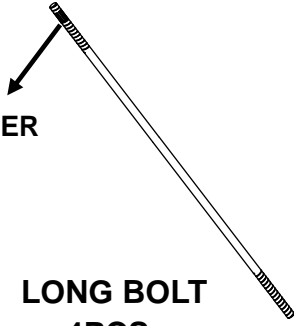
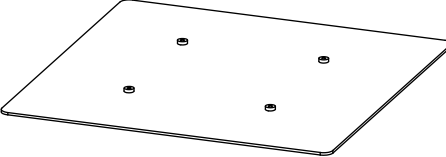
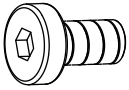
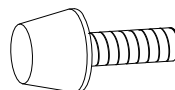
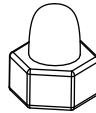
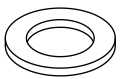
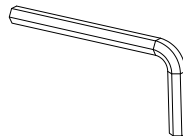
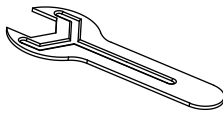


# ITEM NO. 72590 COUNTER HIGH TABLE

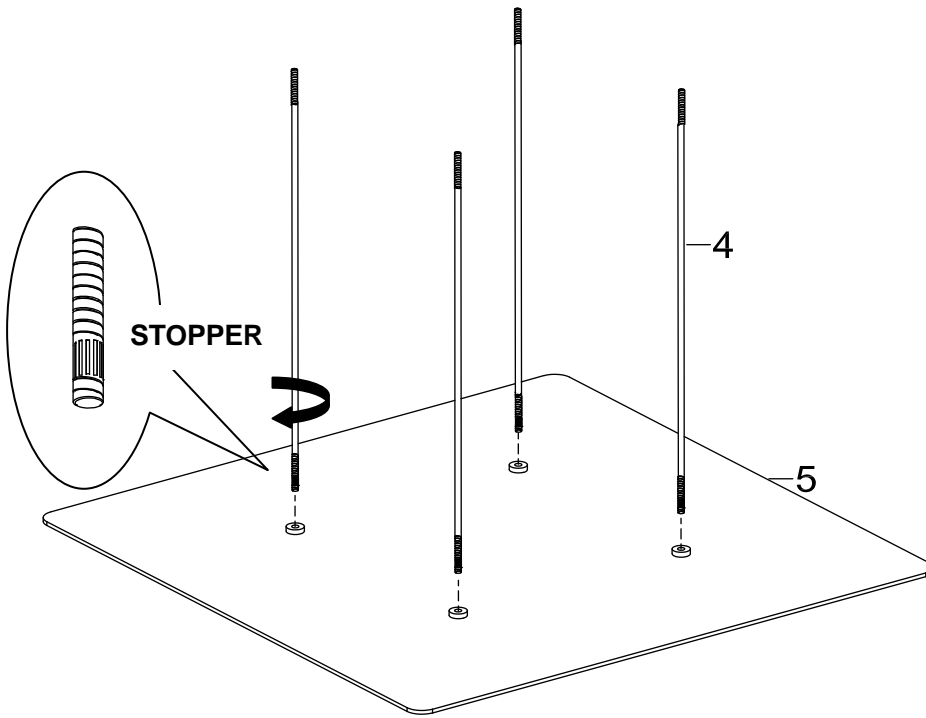


## ASSEMBLY INSTRUCTIONS

<p><b>1</b></p>  <p><b>STRETCHER # 1</b> <b>2PCS</b></p>	<p><b>2</b></p>  <p><b>STRETCHER # 2</b> <b>12PCS</b></p>	<p><b>3</b></p>  <p><b>STRETCHER # 3</b> <b>2PCS</b></p>
<p><b>4</b></p>  <p><b>STOPPER</b></p> <p><b>LONG BOLT</b> <b>4PCS</b></p>	<p><b>5</b></p>  <p><b>GLASS TOP</b> <b>1PC</b></p>	
<p><b>A</b></p>  <p><b>BOLT 3/16" X 3/8"</b> <b>28PCS</b></p>	<p><b>B</b></p>  <p><b>LEVELER</b> <b>4PCS</b></p>	<p><b>C</b></p>  <p><b>NUT</b> <b>4PCS</b></p>
<p><b>D</b></p>  <p><b>FLAT WASHER</b> <b>4PCS</b></p>	<p><b>E</b></p>  <p><b>ALLEN KEY</b> <b>1PC</b></p>	<p><b>F</b></p>  <p><b>OPEN WRENCH</b> <b>1PC</b></p>

**\*\*\* Do not tighten screws & bolts until the entire unit is completely assembled. \*\*\***

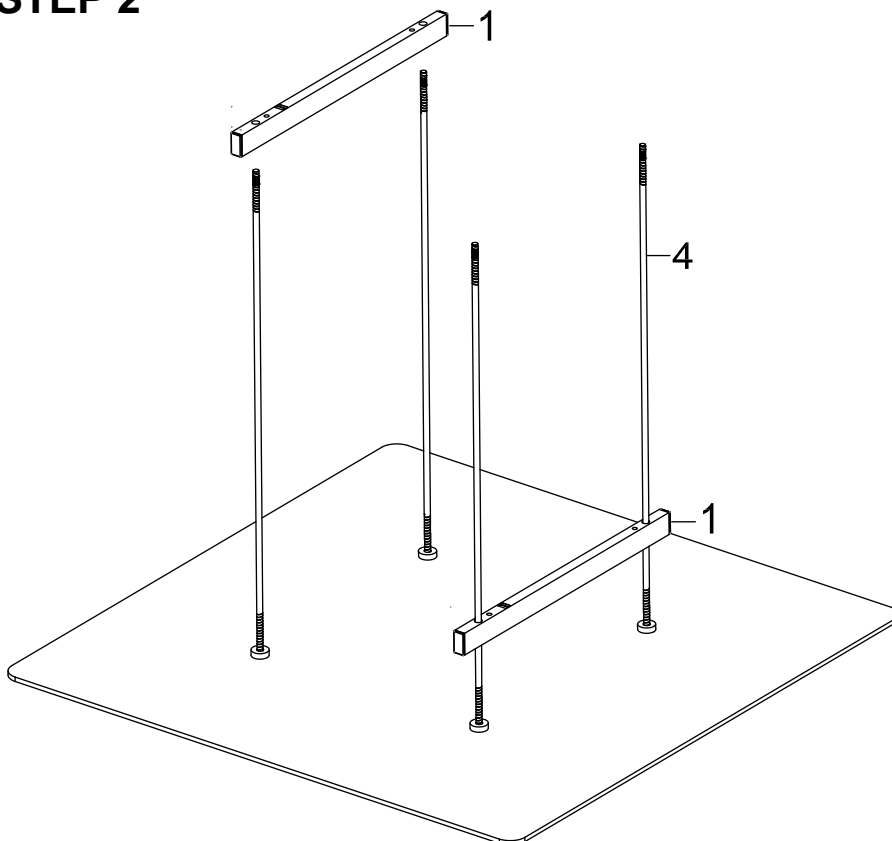
## STEP 1



\*Please put all parts on a soft surface to prevent scratches.

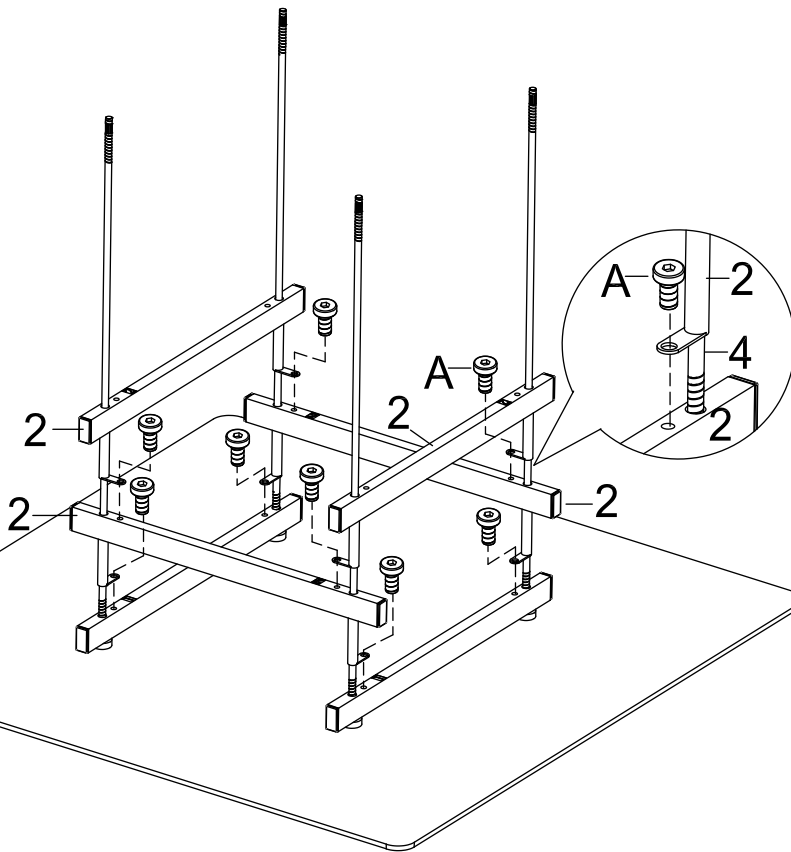
Screw long bolts (4) into the corresponding holes on the glass top (5) as shown and tighten it.

## STEP 2



Insert attached long bolts (4) through the corresponding holes on stretchers (1) as shown.

### STEP 3

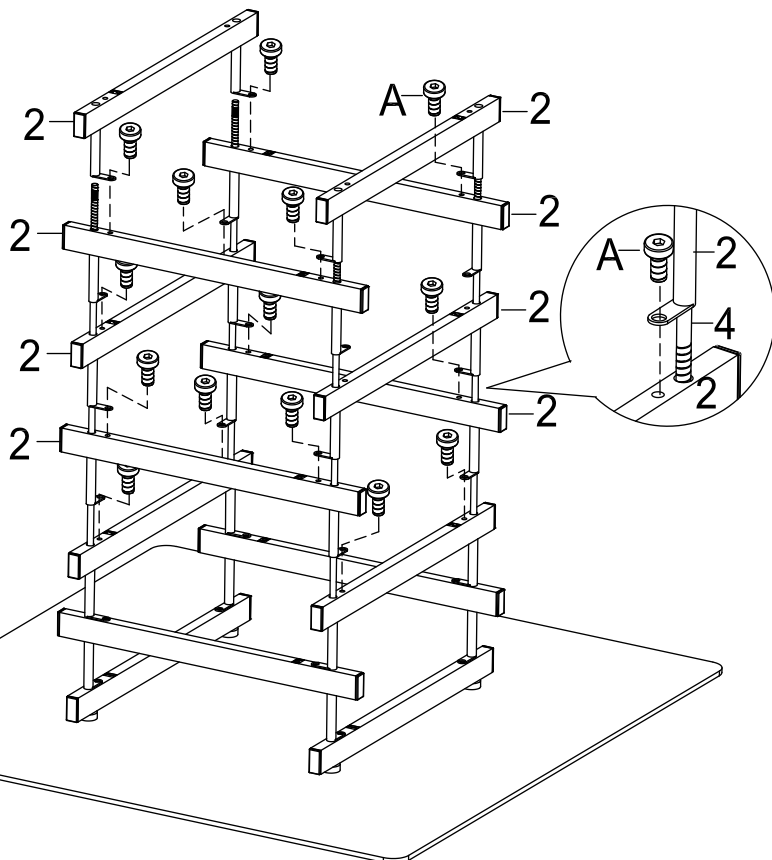


Insert attached long bolts (4) through the corresponding holes on stretchers (2) as shown and fix stretchers (2) to stretchers (1) by using bolts (A) as shown.

Then following with next stretchers (2) one by one.

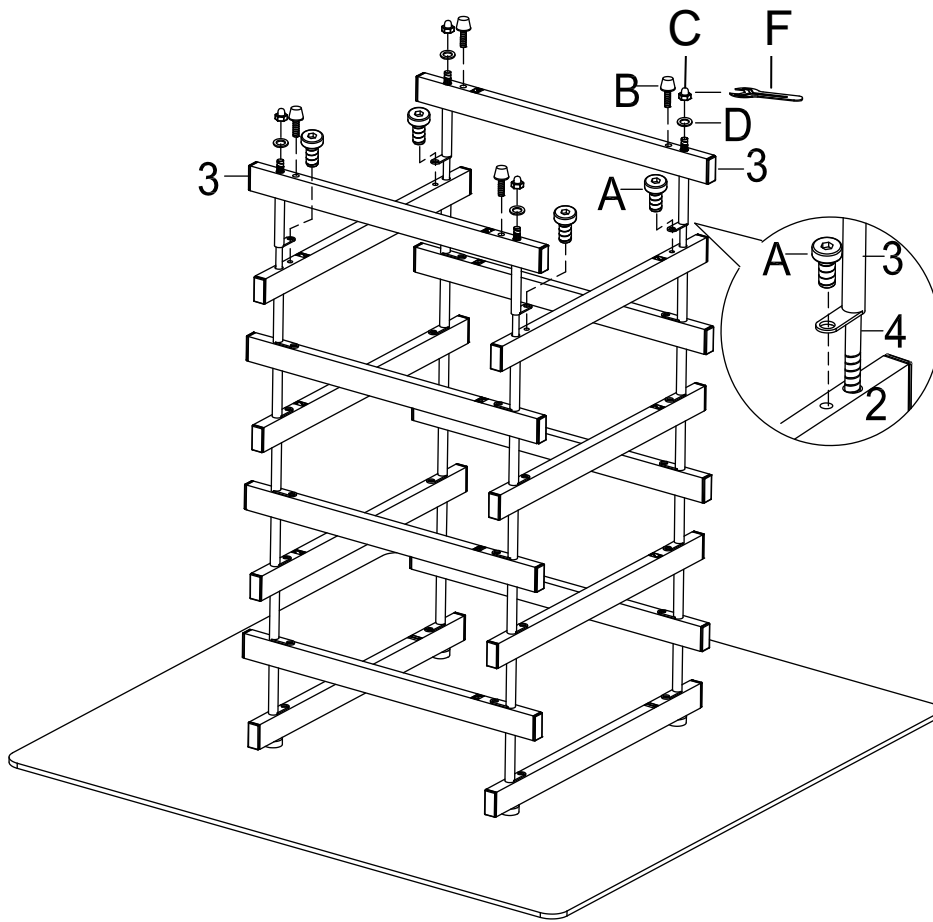
**\*Do not tighten the bolts until the frame is built up.**

### STEP 4



**\*Repeat STEP 3;** insert all stretchers (2) to build up the frame as shown.

## STEP 5



Attach stretchers (3) to stretchers (2) by using bolt (A) as shown then tighten all bolts firmly.

Fix the frame firmly by using nuts (C) and flat washers (D) with open wrench (F) as shown.

Attach levelers (B) to the bottom of stretchers (3) then turn the assembled unit right side up carefully.

Your counter high table is now complete.