

ASSEMBLY INSTRUCTION

ITEM NO. : 72535 + 45 Table






Thank you for purchasing this quality product. Be sure to check all packing material carefully for small parts which may have come loose inside the carton during shipment. Separate, identify and count all parts and hardware. Compare with the parts list to be sure all parts are present.

"DO NOT TIGHTEN SCREWS UNTIL COMPLETELY ASSEMBLED"

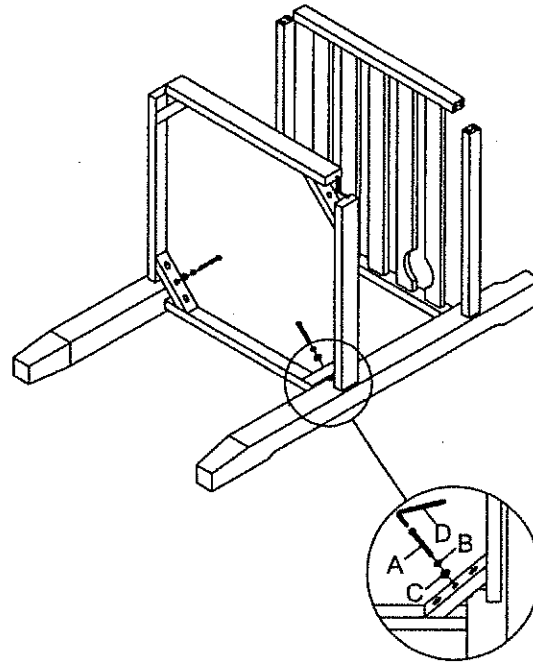
IMPORTANT:

PLEASE READ INSTRUCTION BEFORE STARTING ASSEMBLY

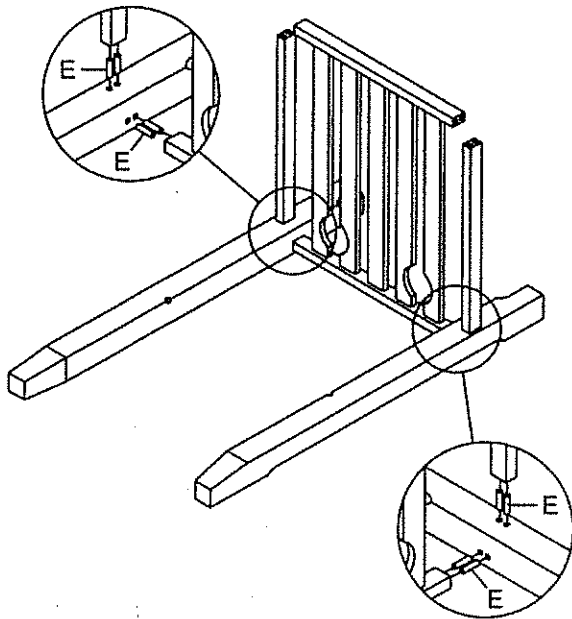
Hardware List:

NO.	Description	Drawing	Size	Q'ty
A	Bolt		5/16"x63mm	8
B	Spring Washer		5/16"x12mm	8
C	Flat Washer		5/16"x19mm	8
D	Allen Wrench		#4x59mm	1
E	Wood Dowel		#8x30mm	16

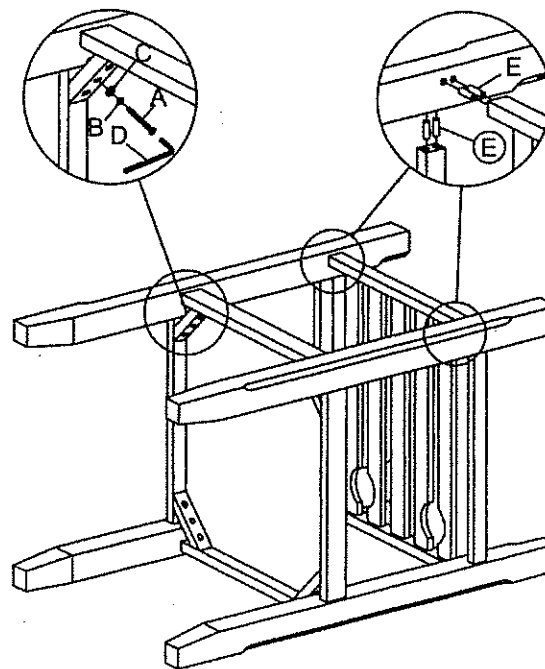
Step 2:



Step 1:



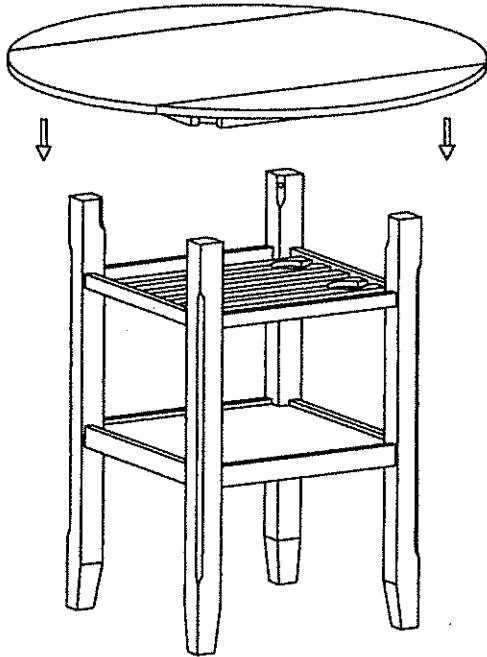
Step 3:



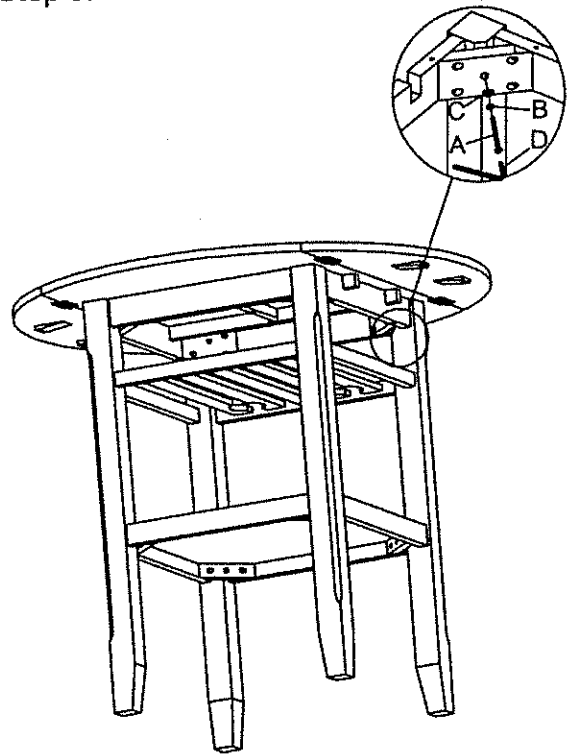
ASSEMBLY INSTRUCTION

ITEM NO. : 72535 + 45 Table

Step 4:



Step 5:



Finish

