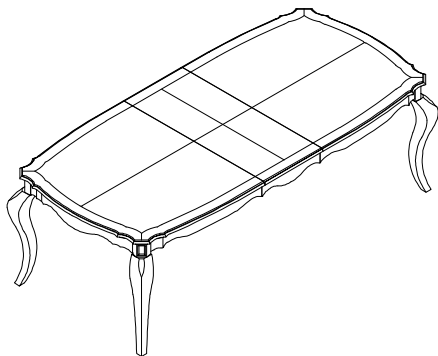


# ASSEMBLY INSTRUCTION

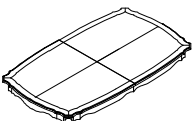

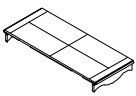
ITEM : ACME#66050

## DESCRIPTION: DINING TABLE




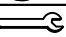
Thank you for purchasing this quality product. Be sure to check all packing materials carefully for small parts may have come loose inside the carton during shipment. Identify and count all parts and compare with the parts listed below.



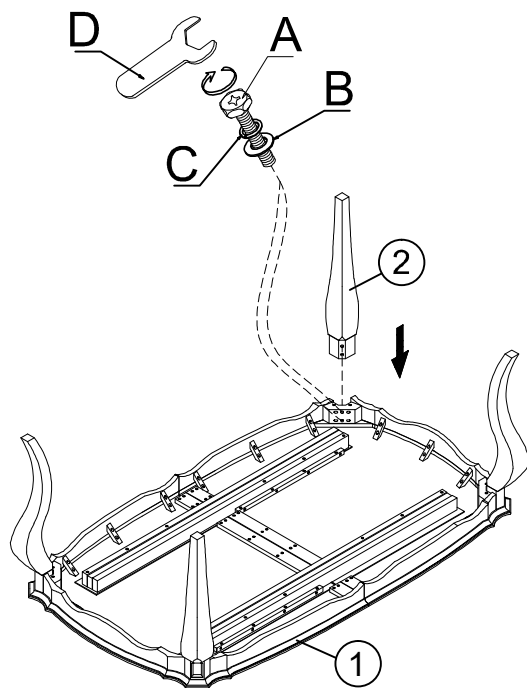
### PART LIST:

① 	② 	③ 
TABLE TOP:1PC	LEGS: 4PCS	LEAF:1PC

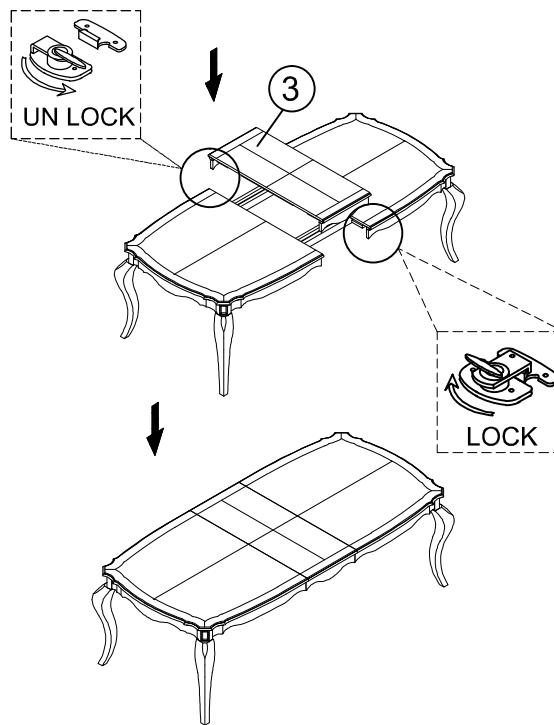
### HARDWARE LIST

NO.	Drawing	Description	Q'ty
A		Bolt (Ø5/16"×2-3/4")	8pcs
B		Flat washer (Ø5/16"×23mm)	8pcs
C		Spring washer (Ø5/16")	8pcs
D		Ø5/16" Wrench(12mm)	1pc

### STEP 1



### STEP 2



### CLEANING INSTRUCTION

Clean the surface of the Dining Table with furniture polish and a soft cloth.

Made in VietNam