


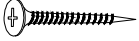


ASSEMBLY INSTRUCTIONS

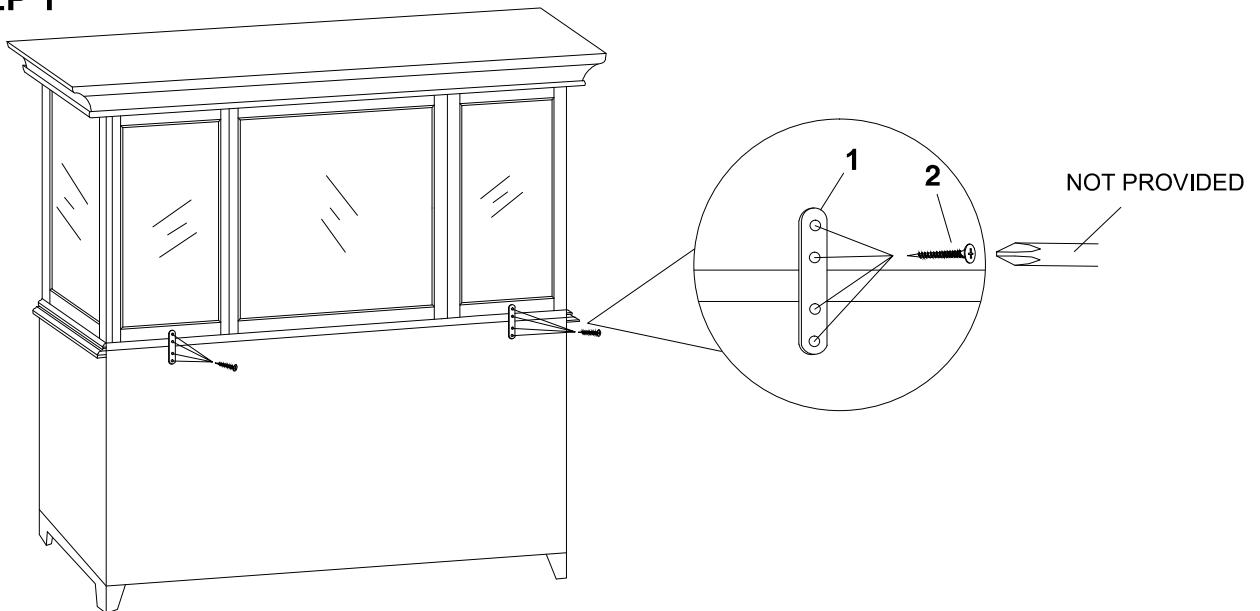
MODEL : # 62323

Important note :

- Place all wooden parts on a clean and smooth surface such as a rug or carpet to avoid scratching the parts.
- Kindly follow the assembly instructions step by step.
- Do not tighten all screws and bolts until the server is fully assembled.

PARTS LIST				HARDWARE LIST			
NO	DESCRIPTION	SRETCH	QTY	NO	DESCRIPTION	SRETCH	QTY
A	BUFFET		1 Pc	1	METALPLATE		2 Pcs
B	HUTCH		1 Pc	2	SCREW		8 Pcs

STEP 1



STEP 2



Made in Viet Nam