

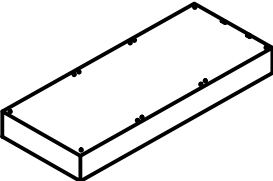
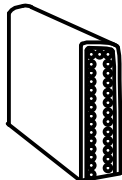
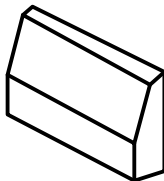

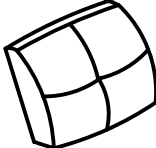



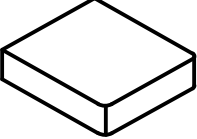
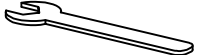
ASSEMBLY INSTRUCTION FOR ACME FURNITURE

MODEL#52700SOF/52705SOF/52710SOF

Thank you for purchasing the quality product. Be sure to check all packing material carefully for small parts which may have come loose inside the carton during shipment. Separate, identify and count all parts and metal hardware. Compare with all parts list to be sure all parts are present. If any part(s) are missing or damaged, please contact your local furniture dealer. For efficient and speedy service, please indicate the model number and code letter of part(s) needed.

*** Do not fully tighten screws until fully assembled***

Parts List

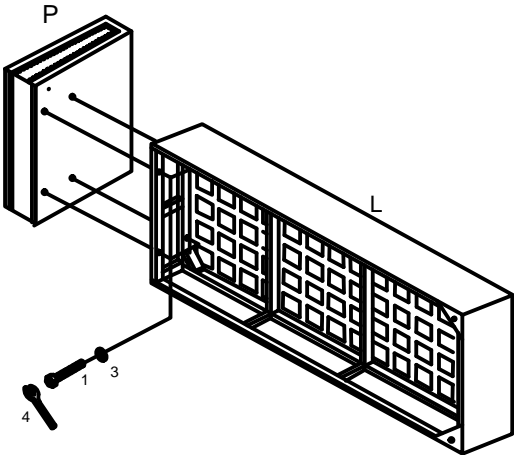
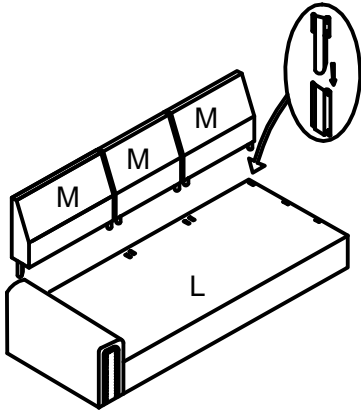
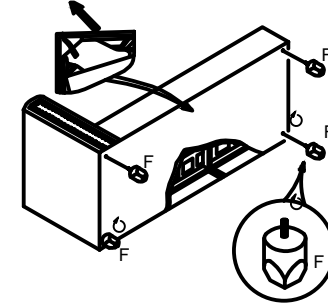
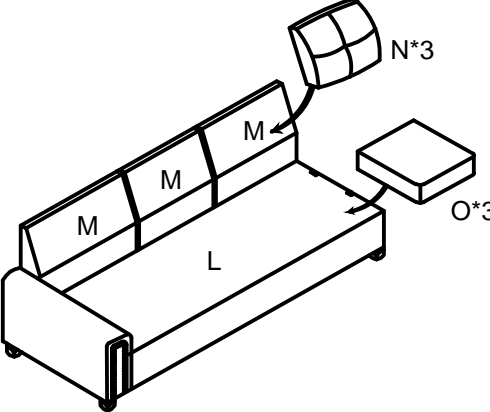
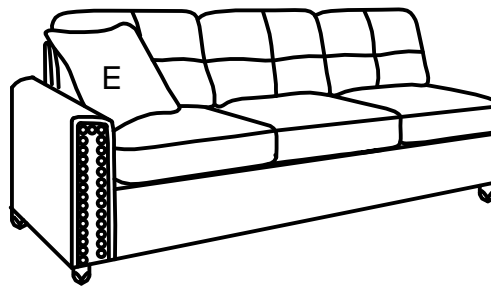
L		SOFA SEAT FRAME 1PC	P		SOFA ARM FRAME 1PC
M		SOFA BACK FRAME 3PC	F		LEG 4PCS
N		BACK CUSHION 3PC	1		4PCS
E		BACK PILLOW 1PC	3		4PCS
O		SOFA SEAT CUSHION 3PC	4		1PC

Attention:

***Some number parts listed on the instruction sheet may not be in parts bag as they may already be assembled. Carefully check parts and packing materials prior to ordering replacements.

This sectional has a reversible sofa. It can be assembled with the sofa on the left or right as needed. The assembly instructions below refer to the sofa on the LEFT SIDE, as you facing the sectional.

How to assemble:

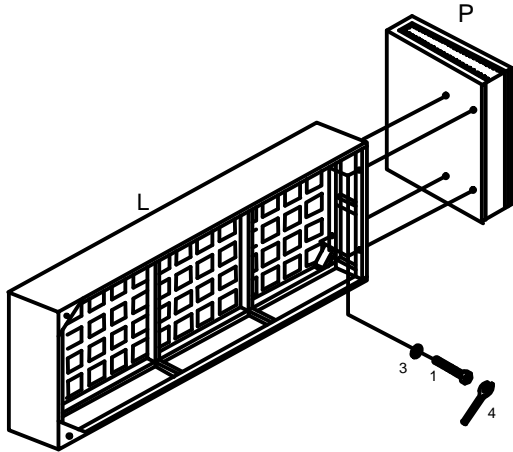
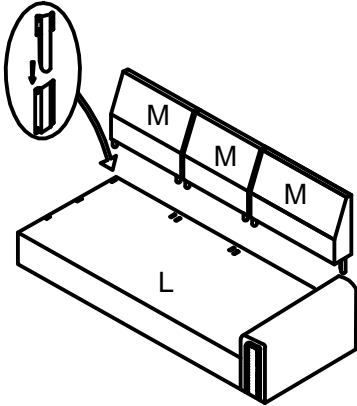
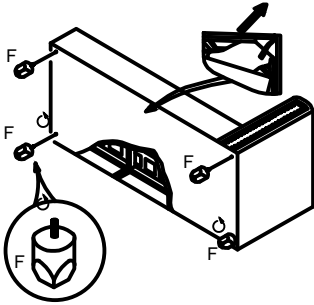
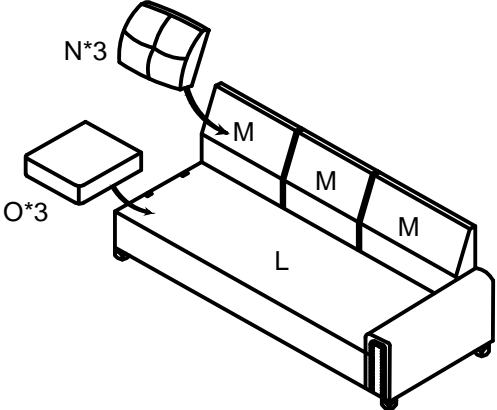
<p>STEP 1</p> 	
<p>STEP 2: ALIGN BLACK TO THE SOFA</p> 	<p>STEP 3: INSERT PLASTIC LEG (4) ONTO THE BOTTOM OF SOFA (L)</p> <p>All 4 pcs legs packed and put into frame corner as shown in the drawing below.</p> 
<p>STEP 4: PUT ALL BACK CUSHION AND SEAT CUSHION</p> 	<p>STEP 5: COMPLETED</p> 

Attention:

***Some number parts listed on the instruction sheet may not be in parts bag as they may already be assembled. Carefully check parts and packing materials prior to ordering replacements.

This sectional has a reversible sofa. It can be assembled with the sofa on the left or right as needed. The assembly instructions below refer to the sofa on the RIGHT SIDE, as you facing the sectional.

How to assemble:

<p>STEP 1</p> 	
<p>STEP 2: ALIGN BLACK TO THE SOFA</p> 	<p>STEP 3: INSERT PLASTIC LEG (4) ONTO THE BOTTOM OF SOFA (L)</p>  <p>All 4 pcs legs packed and put into frame corner as shown in the drawing below.</p>
<p>STEP 4: PUT ALL BACK CUSHION AND SEAT CUSHION</p> 	<p>STEP 5: COMPLETED</p> 