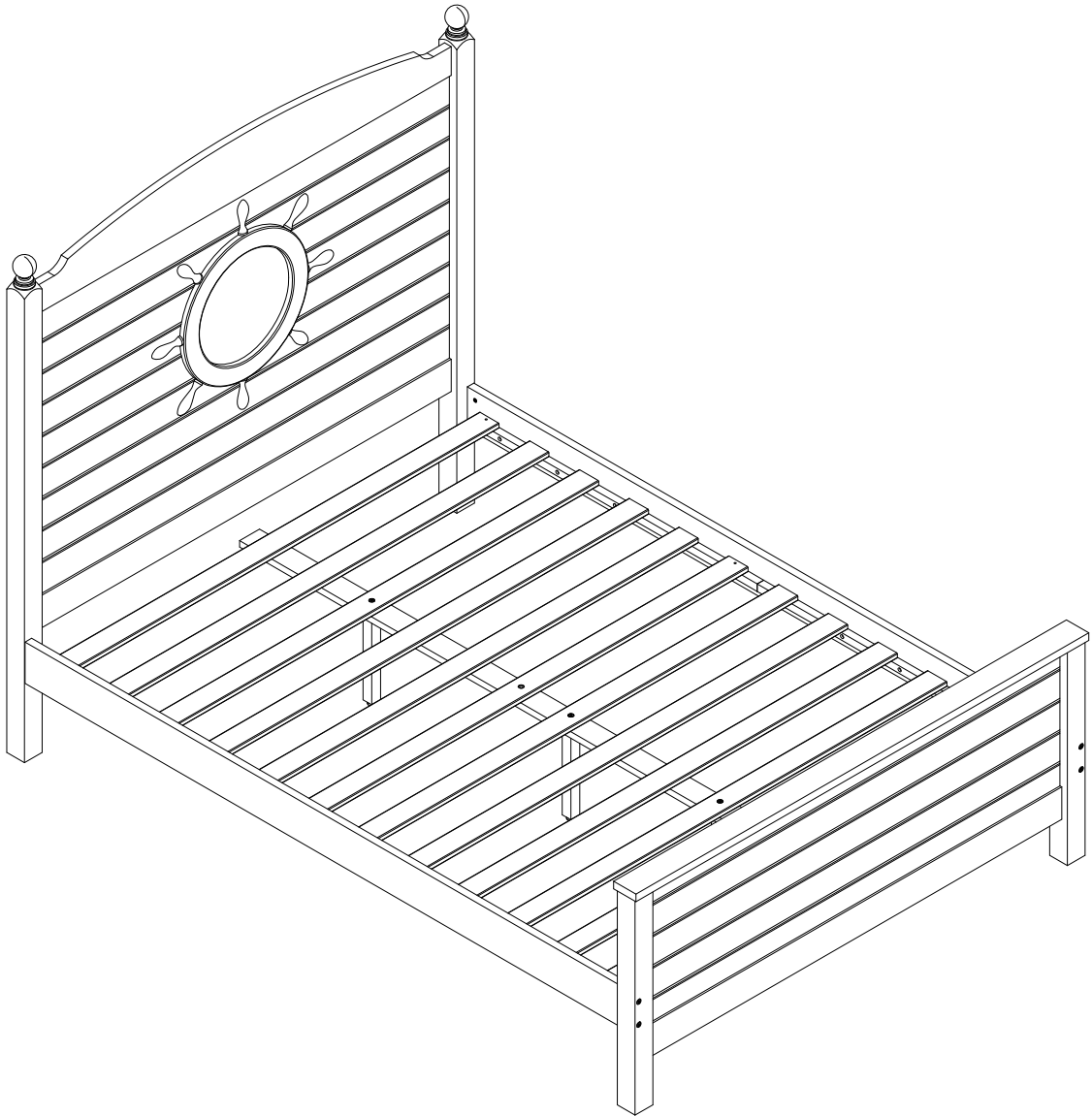


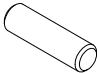
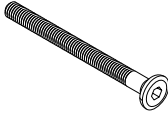



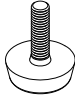
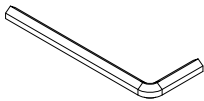
# ASSEMBLY INSTRUCTION

MODEL : 30830F FULL BED (1400 x 1905)MM

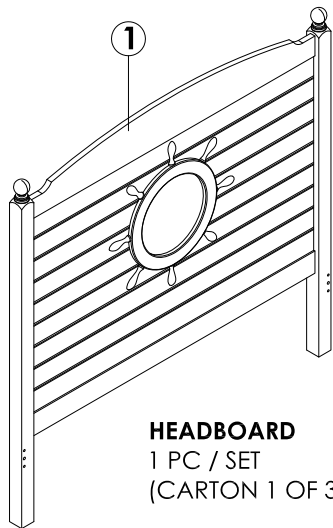
ACME FURNITURE



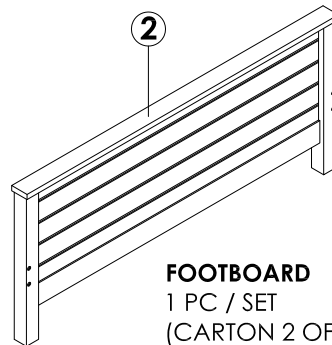
## HARDWARE LIST

<b>A</b>  PLASTIC DOWEL (M10 x 35MM) <b>4 PCS</b>	<b>B</b>  JCBC BOLT (M6 x 70MM) <b>3 PCS</b>	<b>C</b>  JCBC BOLT (M6 x 90MM) <b>8 PCS</b>
<b>D</b>  JRN NUT (M6 x 13MM) <b>8 PCS</b>	<b>E</b>  CSK C/B SCREW (M4 x 32MM) <b>6 PCS</b>	<b>F</b>  BASE GLIDER L190 (M6 x 23MM) <b>3 PCS</b>
<b>G</b>  ALLEN KEY (M4 x 60MM) <b>1 PC</b>	<b>Tool Required:</b> Crosshead Screw Driver	

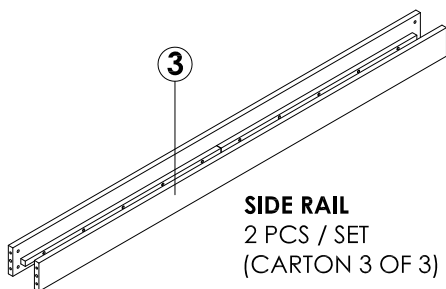
## PART LIST



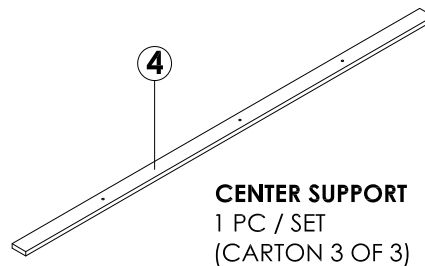
**HEADBOARD**  
1 PC / SET  
(CARTON 1 OF 3)



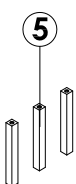
**FOOTBOARD**  
1 PC / SET  
(CARTON 2 OF 3)



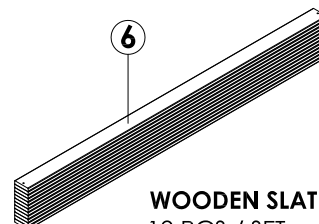
**SIDE RAIL**  
2 PCS / SET  
(CARTON 3 OF 3)



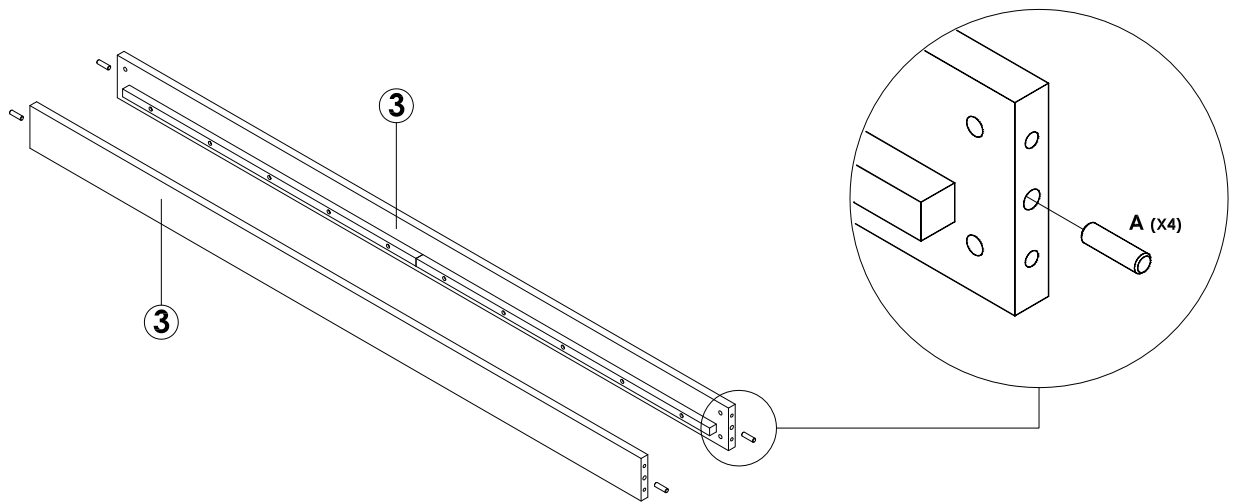
**CENTER SUPPORT**  
1 PC / SET  
(CARTON 3 OF 3)



**SUPPORT LEG**  
3 PCS / SET  
(CARTON 3 OF 3)

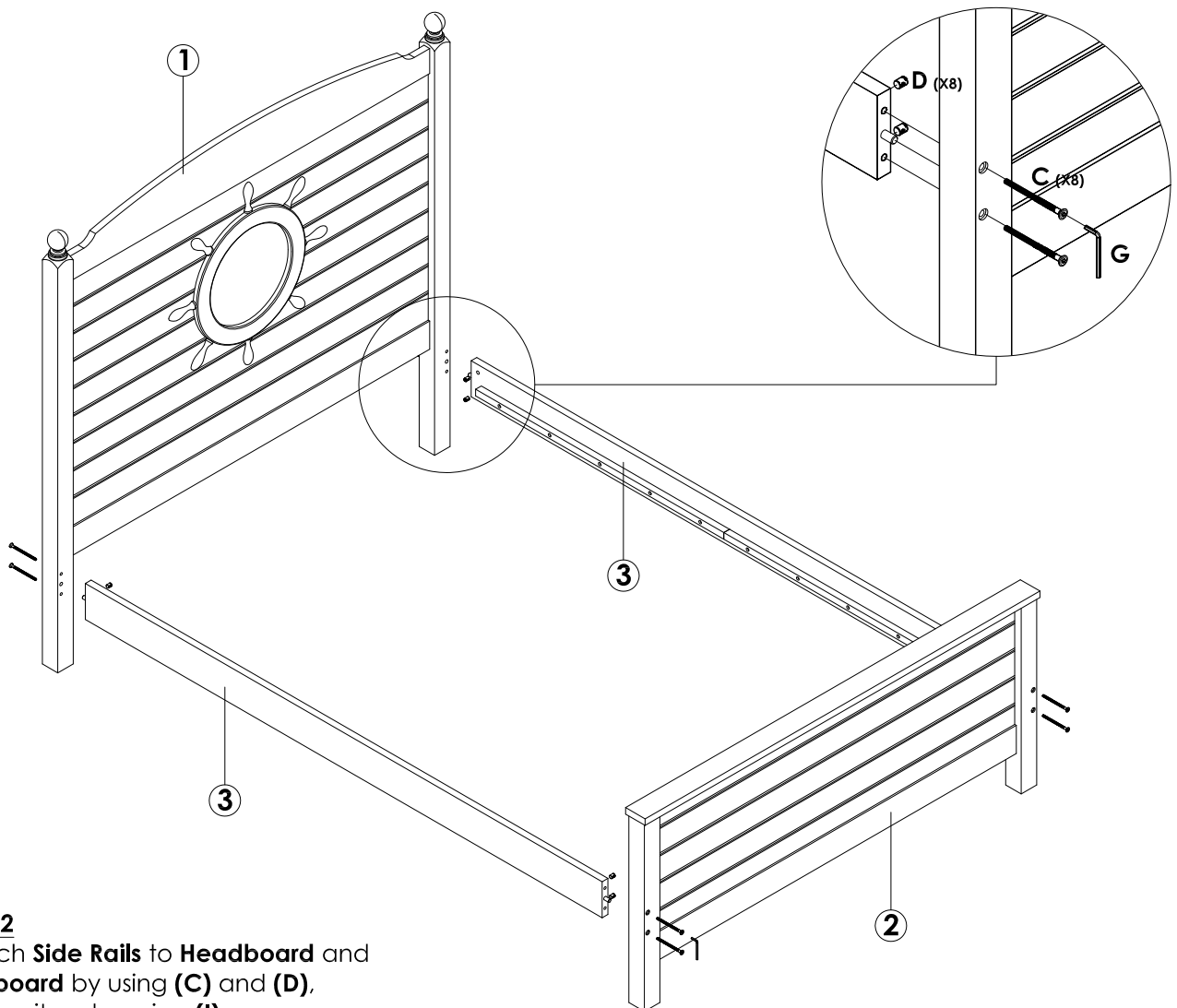


**WOODEN SLAT**  
12 PCS / SET  
(CARTON 2 OF 3)



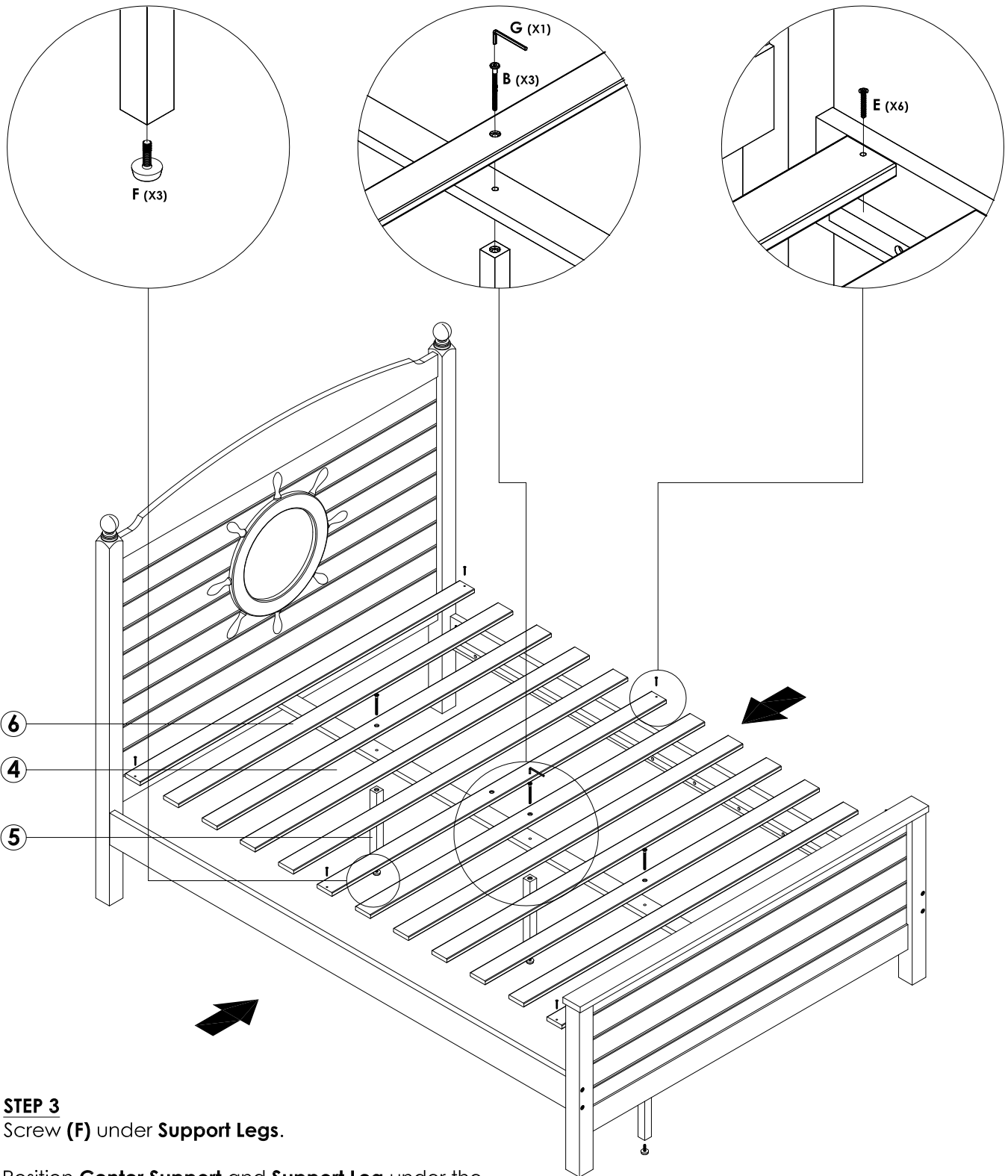
**STEP 1**

Insert **(A)** into Ø10MM holes on both **Side Rails**.



**STEP 2**

Attach **Side Rails** to **Headboard** and **Footboard** by using **(C)** and **(D)**, tighten it up by using **(I)**.



### STEP 3

Screw **(F)** under **Support Legs**.

Position **Center Support** and **Support Leg** under the middle of Bed.

Secure **Wooden Slat** onto **Center Support** and **Support Leg** by using **(B)**, tighten it up by using **(G)**.

Go on to screw **(E)** into pre-drilled holes on both ends of **Wooden Slat** by using a Crosshead Screw Driver.

\* Align both **Side Rail** before tightening the screws.