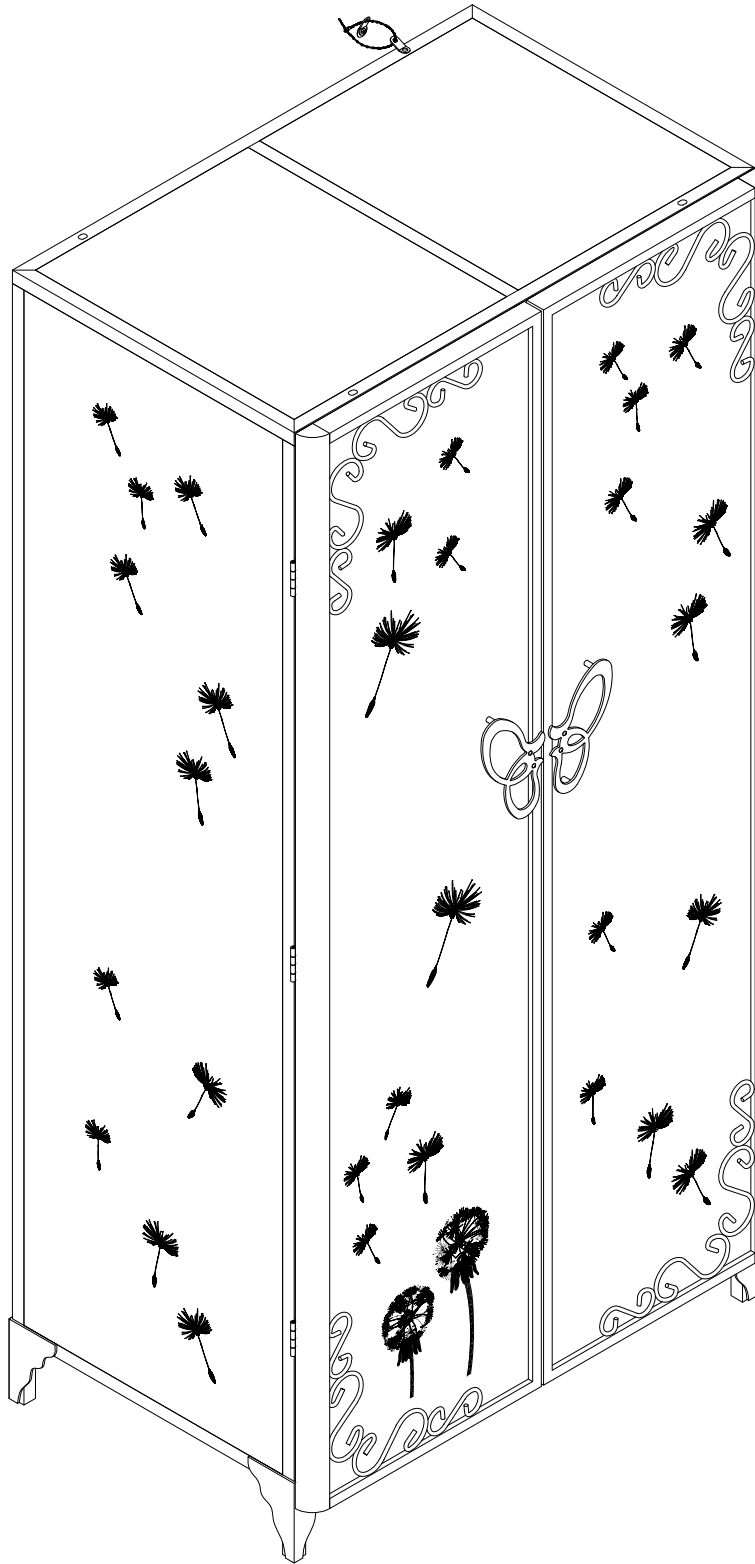


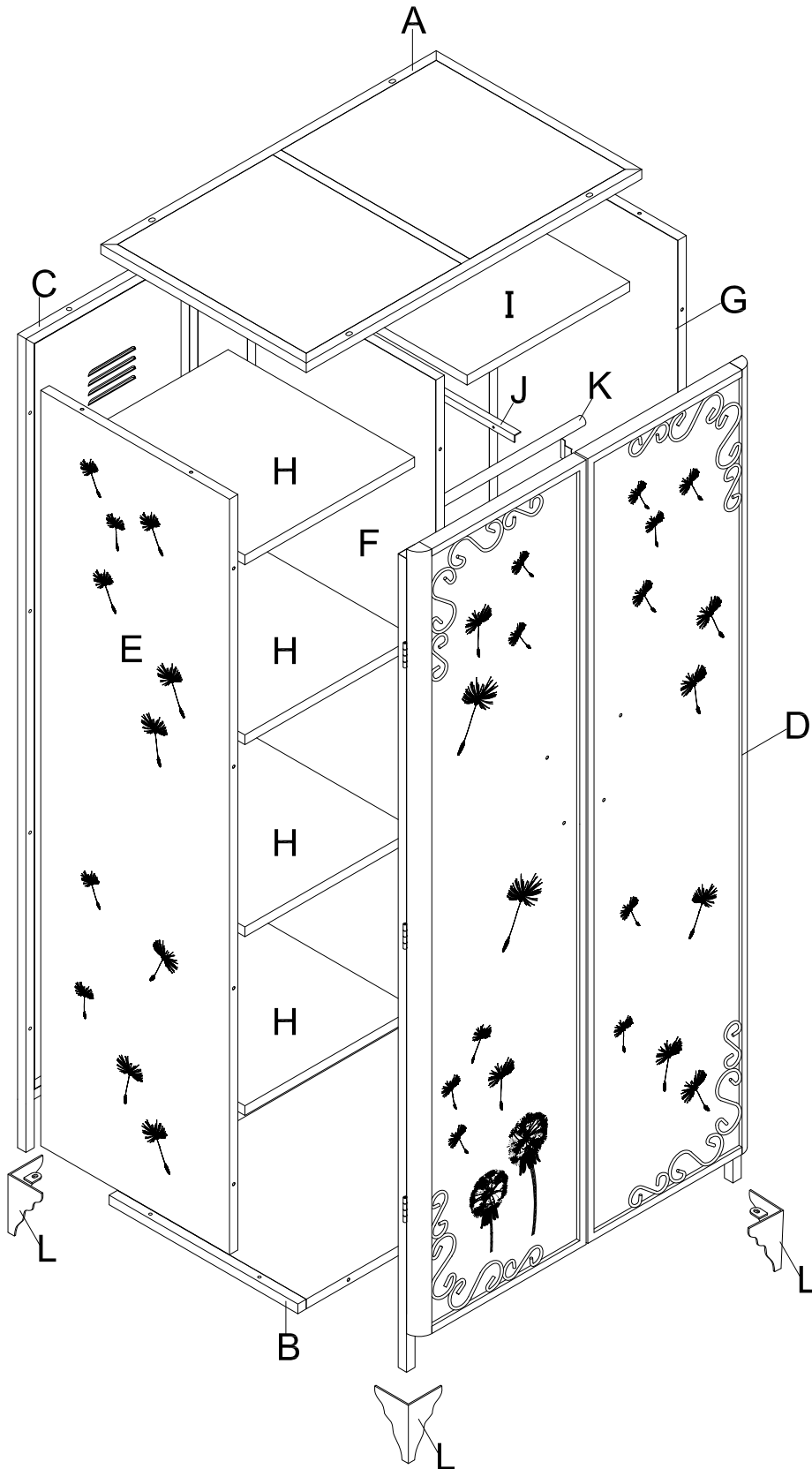
ASSEMBLY INSTRUCTIONS

ITEM NO.:30540



Do not tighten screws until completely assembled.

PARTS IDENTIFICATION

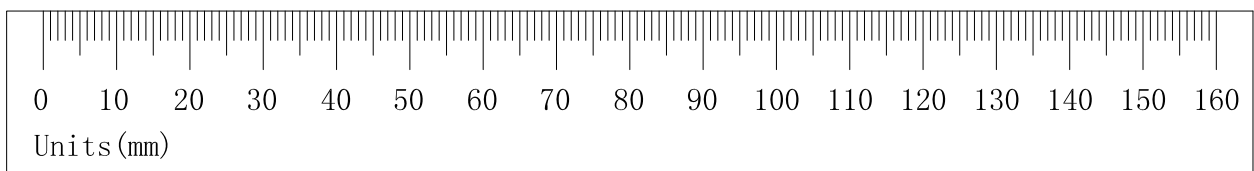


PARTS IDENTIFICATION

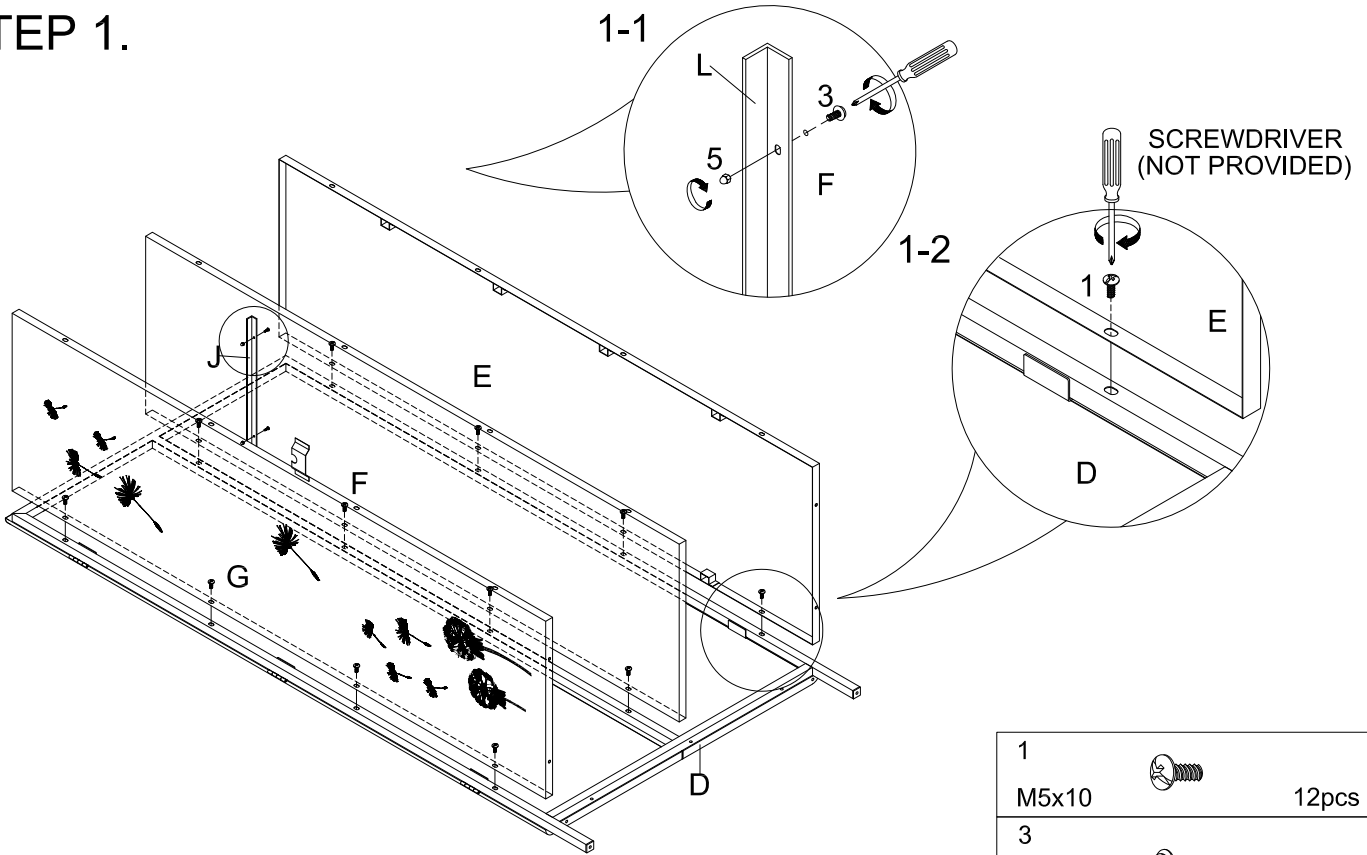
A		1pc	F		1pc
B		1pc	G		1pc
C		1pc	H		4pcs
D		1pc	I		1pc
E		1pc	J		1pc
			K		1pc
			L		4pcs




HARDWARE LIST

1		M5x10	46pcs	2		M6x35	4pcs	3		M4x8	6pcs
4		Ø20xØ6x1.5	4pcs	5		M4	2pcs	6		M4x37	1pc
7			2pcs	8			1pc	9			1pc
10		4x4	1pc	11			4pcs	12		LEFT	1pc
13		RIGHT	1pc								

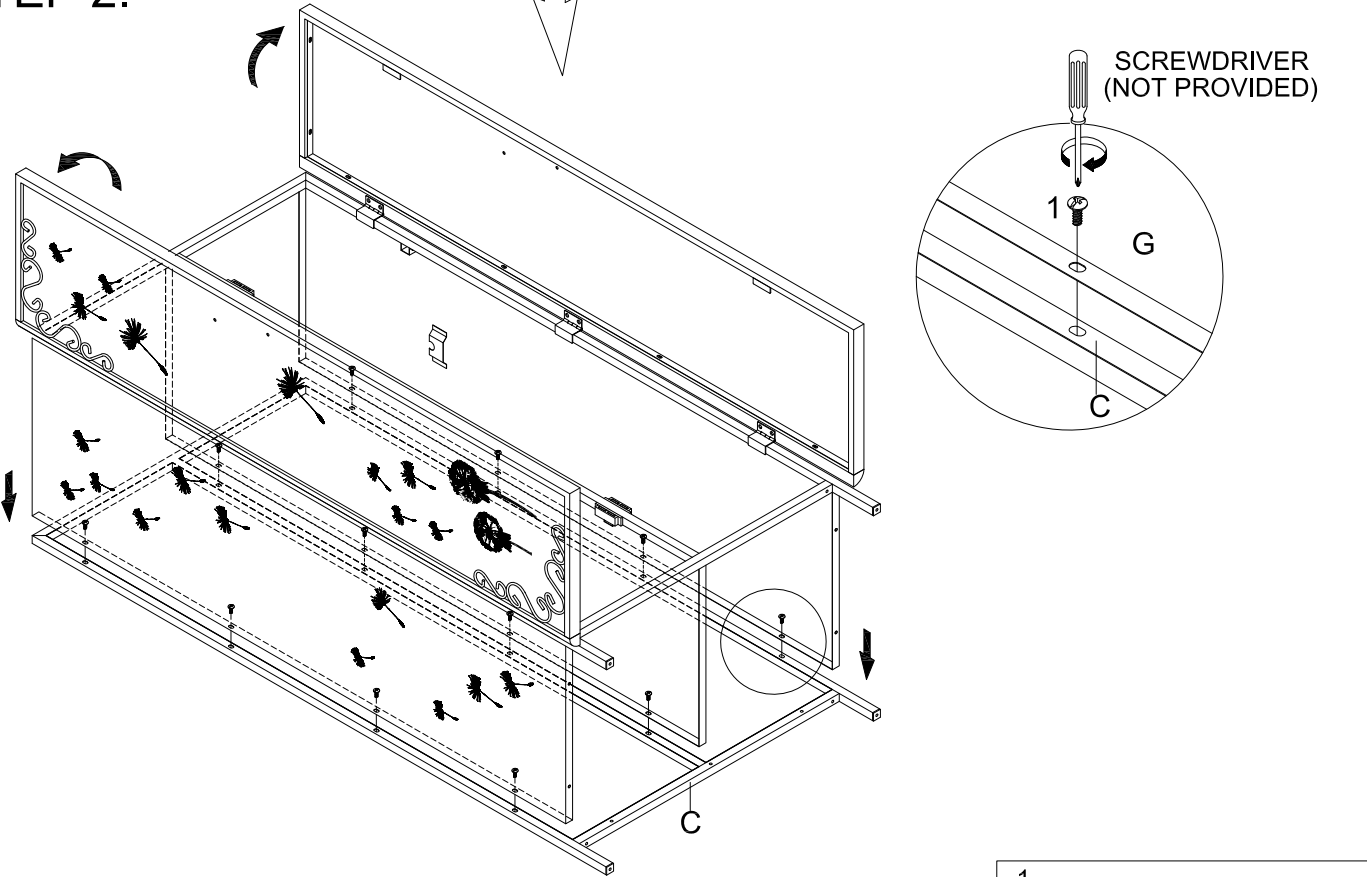



STEP 1.



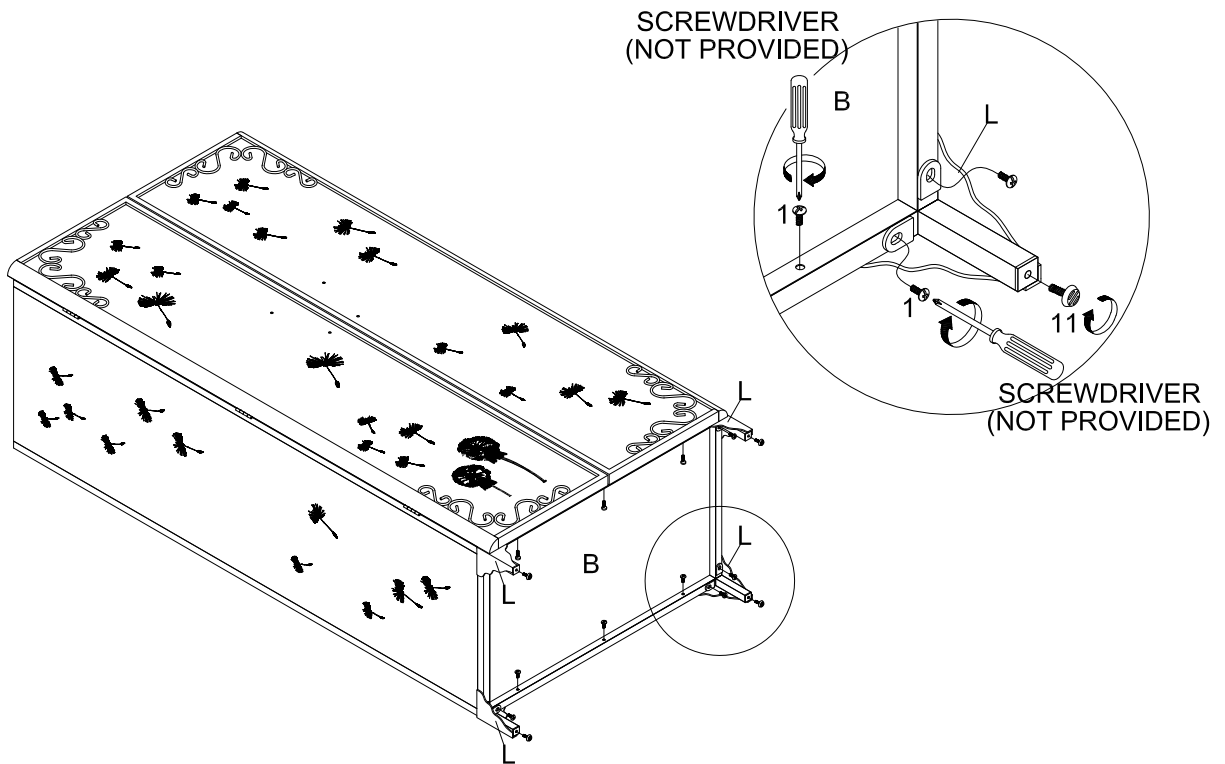
1		12pcs
M5x10		
3		2pcs
M4x8		
5		2pcs



STEP 2.



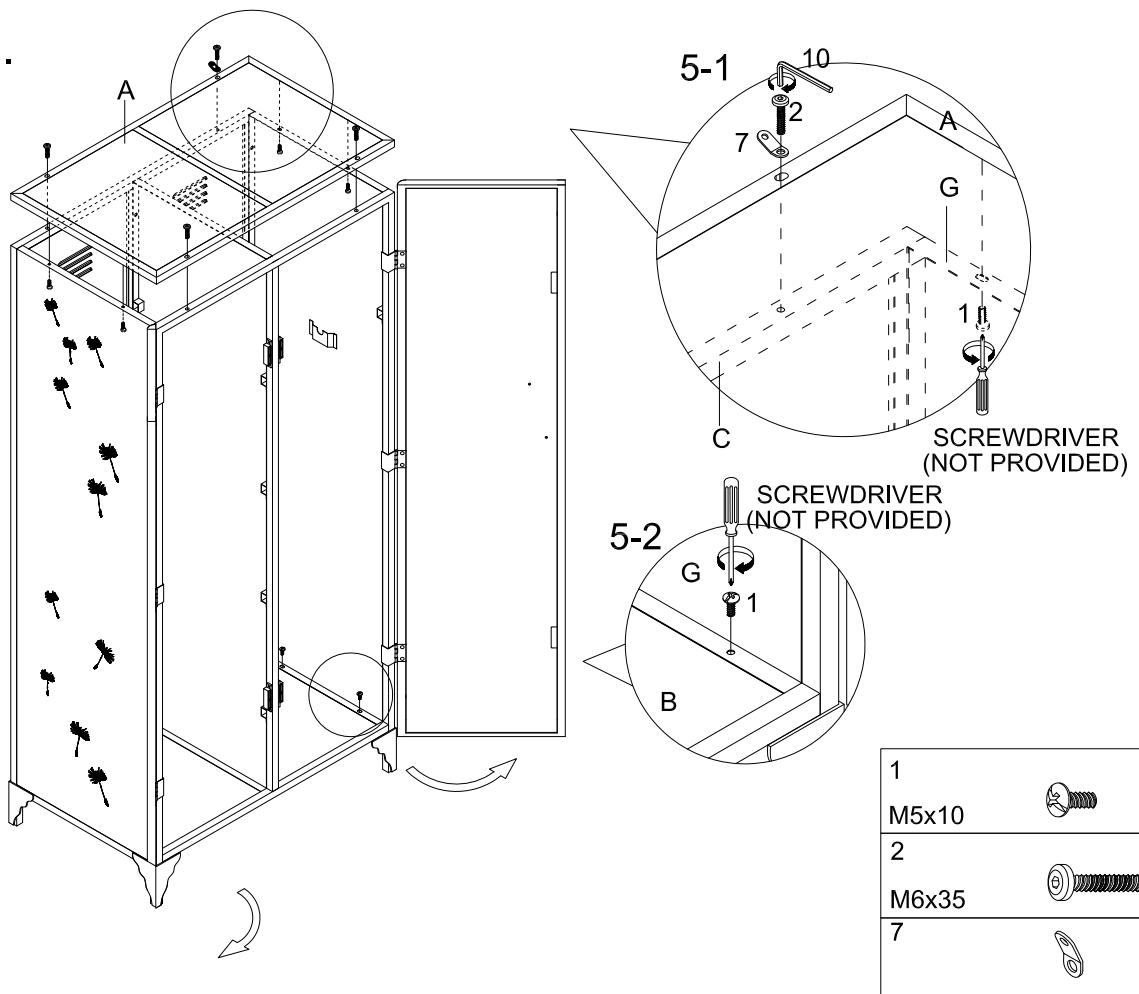
1		12pcs
M5x10		




STEP 3.



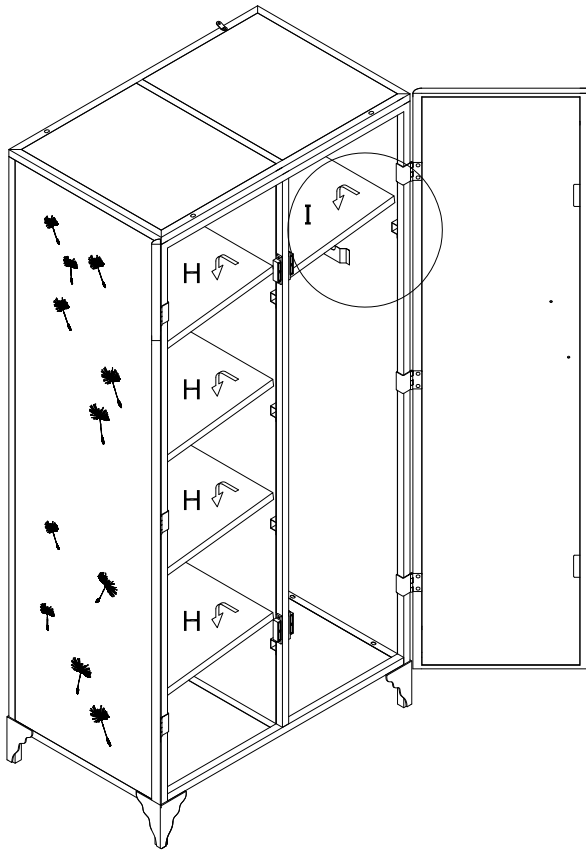
1		14pcs
M5x10		
11		4pcs
M6x16		

STEP 4.

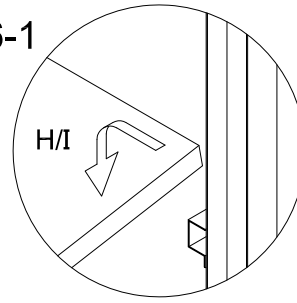


1		8pcs
M5x10		
2		4pcs
M6x35		
7		1pc

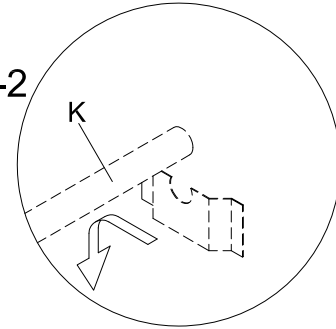
STEP 5.



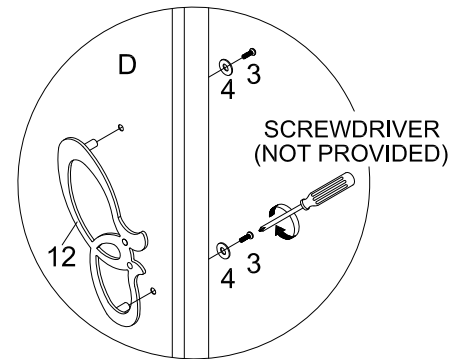
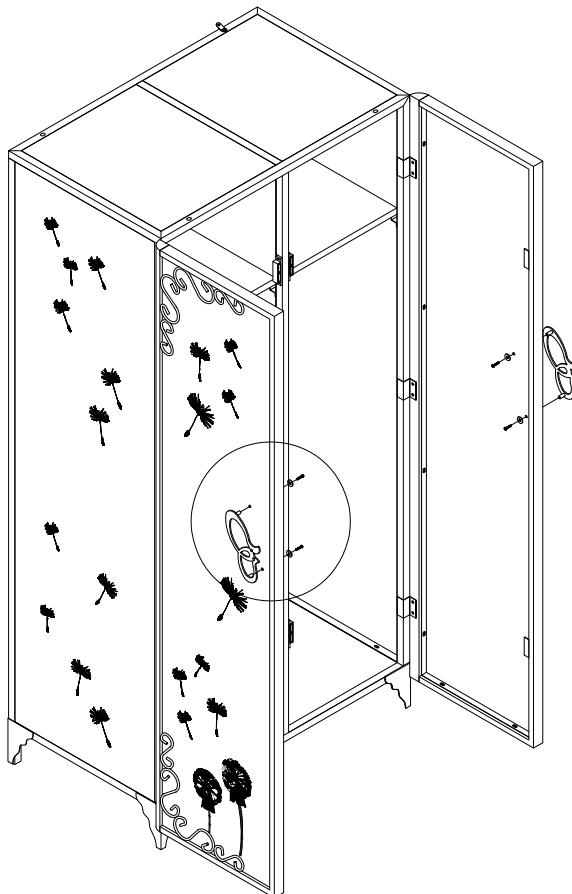
6-1



6-2

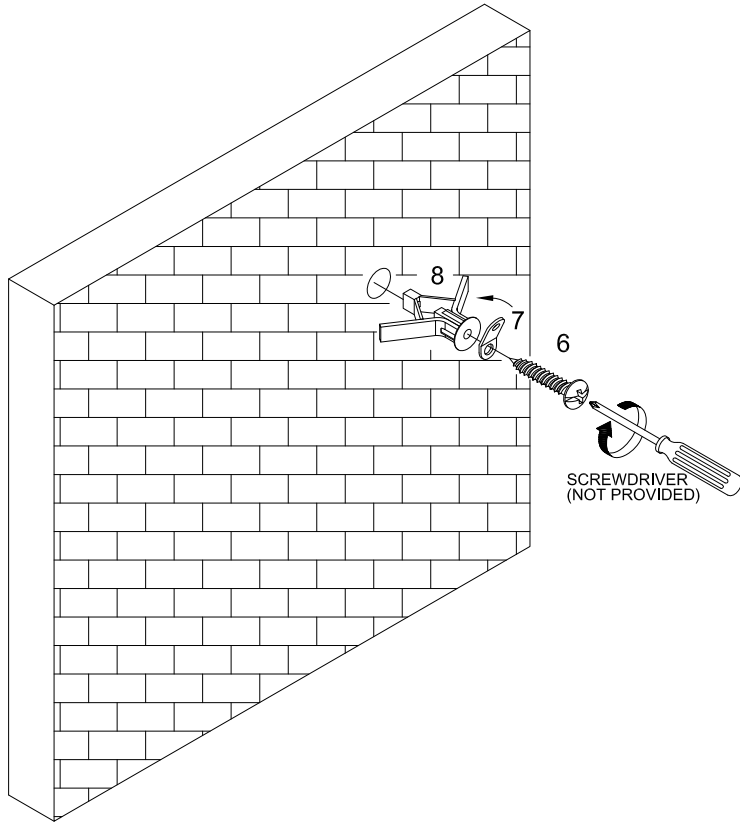





STEP 6.



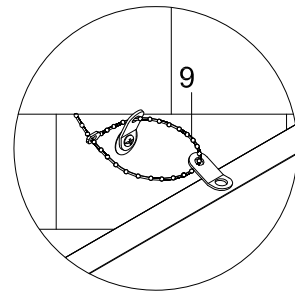
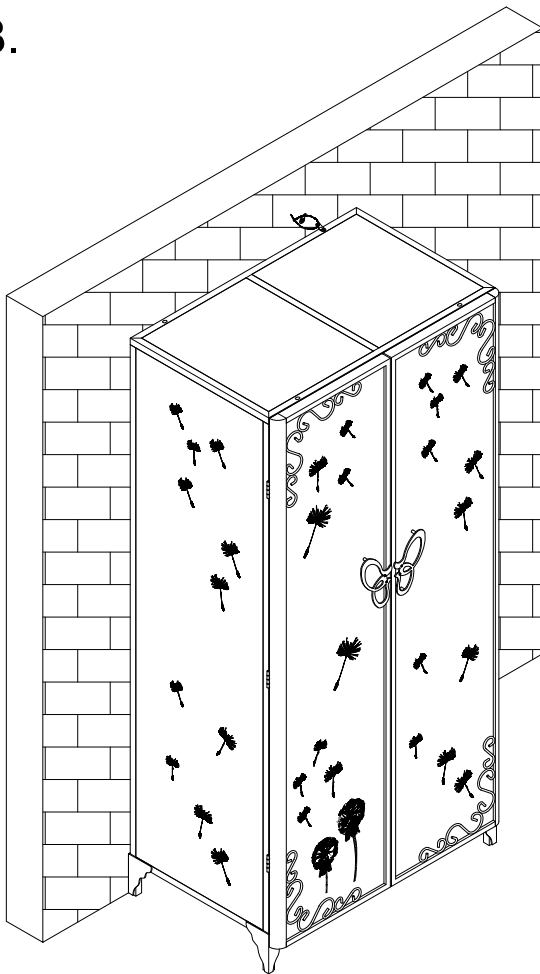
3		M4x8	4pcs
4		Ø20xØ6x1.5	4pcs
12		LEFT	1pc
13		RIGHT	1pc


STEP 7.



6		1pc
7		1pc
8		1pc

STEP 8.



9		1pc
---	---	-----