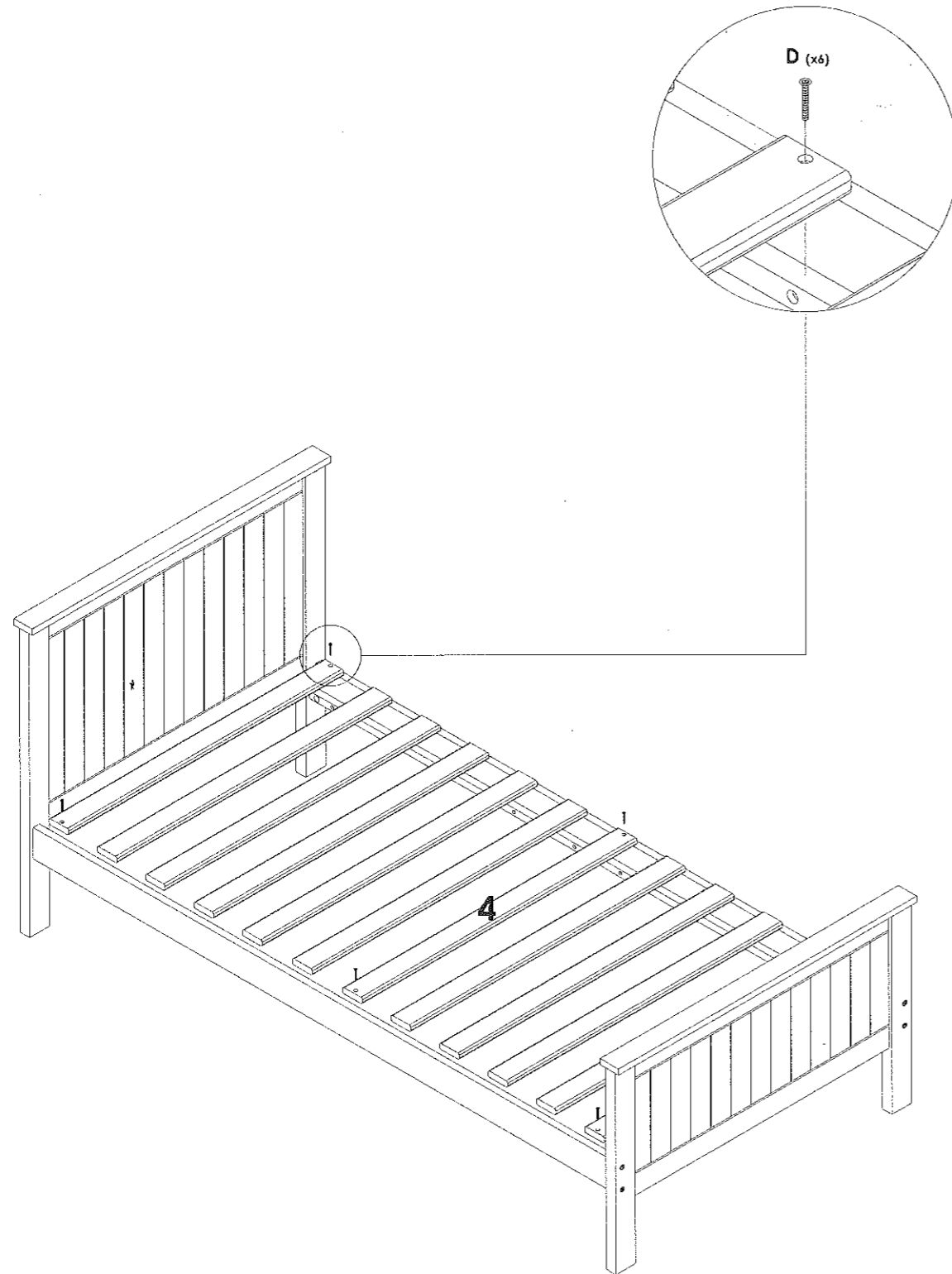


ASSEMBLY INSTRUCTION

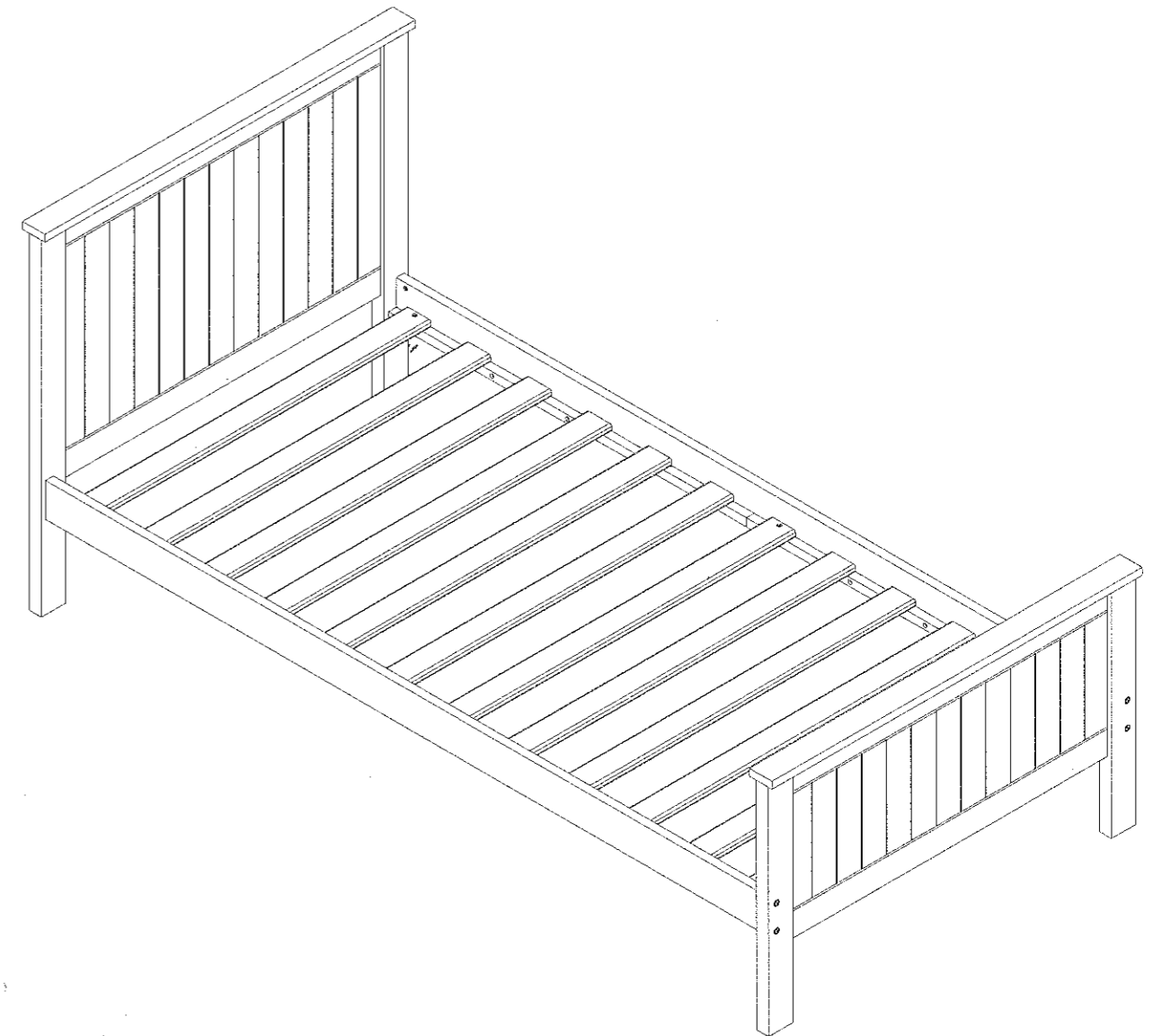
MODEL : 30025T - TWIN BED (990 x 1905)MM

ACME FURNITURE

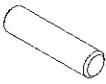






STEP 3

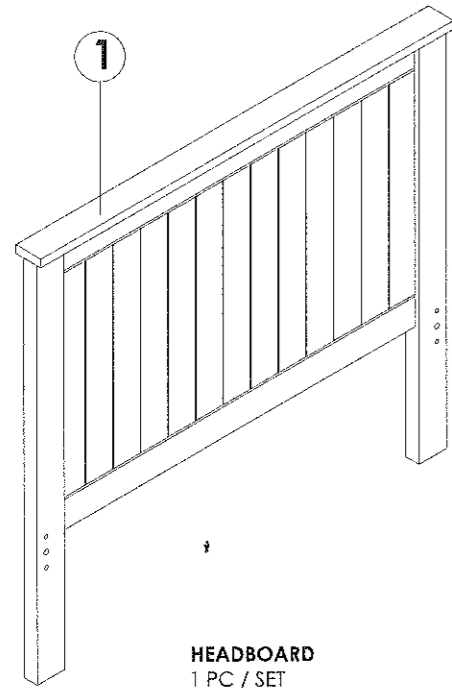
Attach **Wooden Slats** onto **Side Rails** by using **(D)**,
tighten it up by using a Crosshead Screw Driver.
Go on to complete the **Assembly**.



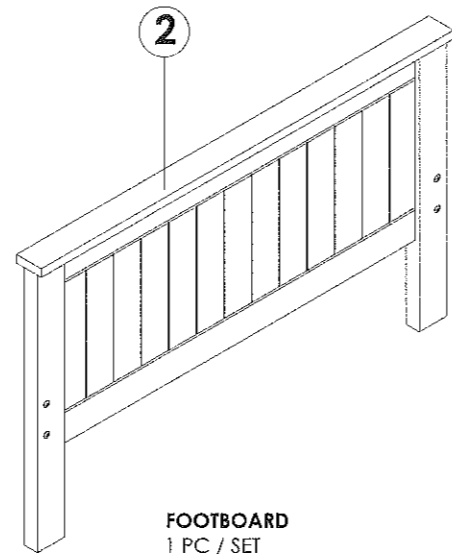
HARDWARE LIST

<p>A</p>  <p>4 PCS</p> <p>PLASTIC DOWEL (M10 x 35MM)</p>	<p>B</p>  <p>8 PCS</p> <p>JCBC BOLT (M6 x 60MM)</p>	<p>C</p>  <p>8 PCS</p> <p>JRN NUT (M6 x 13MM)</p>
<p>D</p>  <p>6 PCS</p> <p>CSK C/B SCREW (M4 x 32MM)</p>	<p>E</p>  <p>1 PC</p> <p>ALLEN KEY (M4 x 60MM)</p>	<p>Tools Required : Crosshead Screw Driver Rubber Hammer</p>

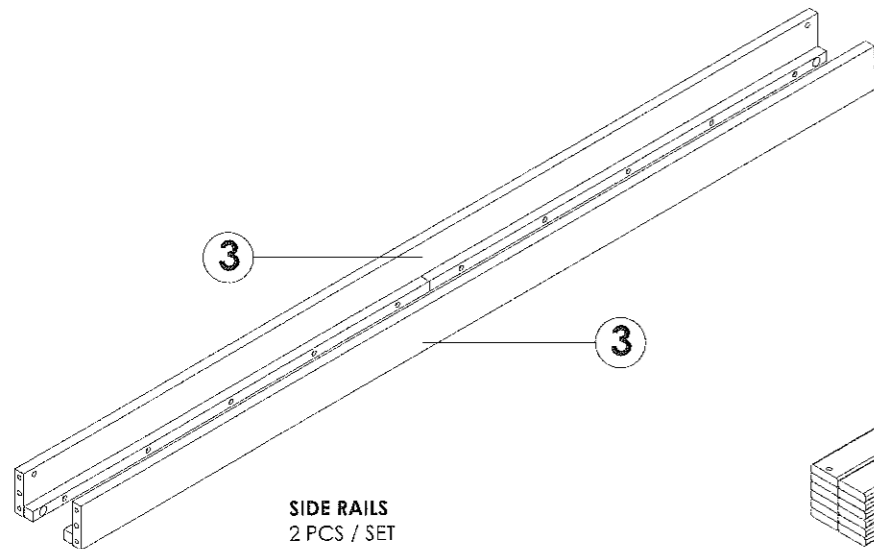
PARTS LIST



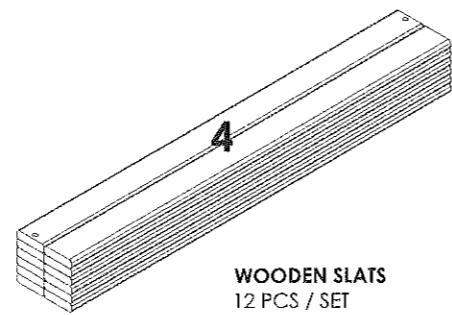
HEADBOARD
1 PC / SET
(CARTON 1 OF 2)



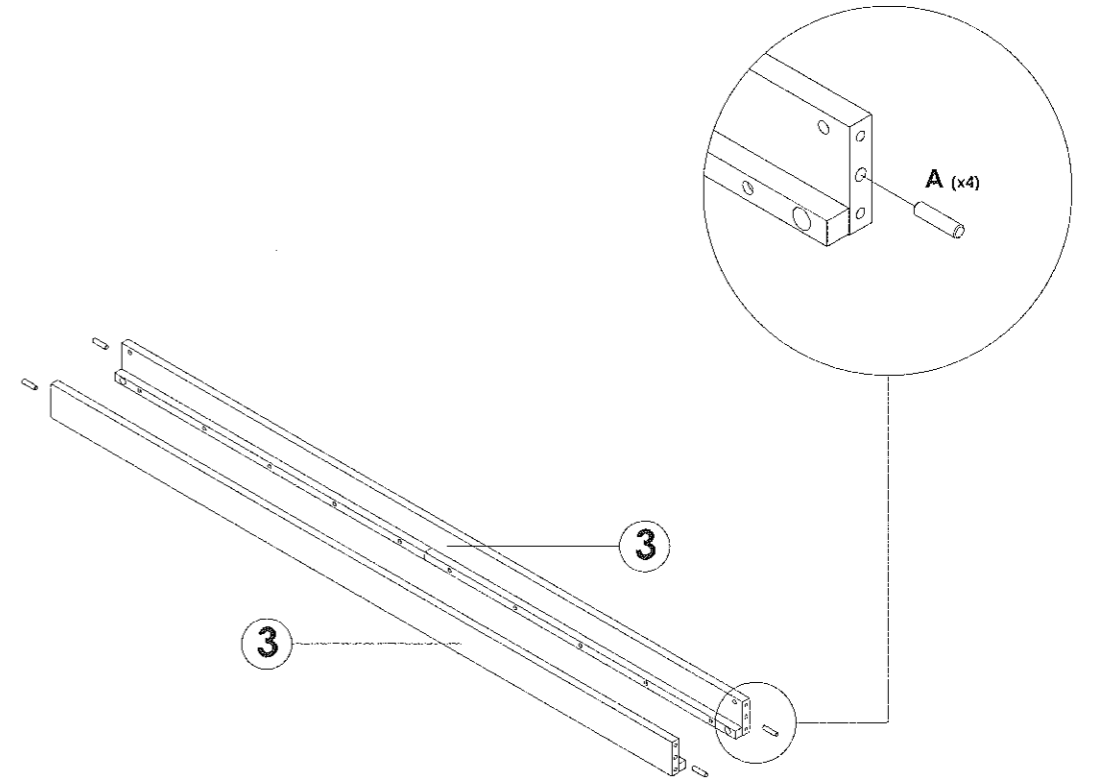
FOOTBOARD
1 PC / SET
(CARTON 1 OF 2)



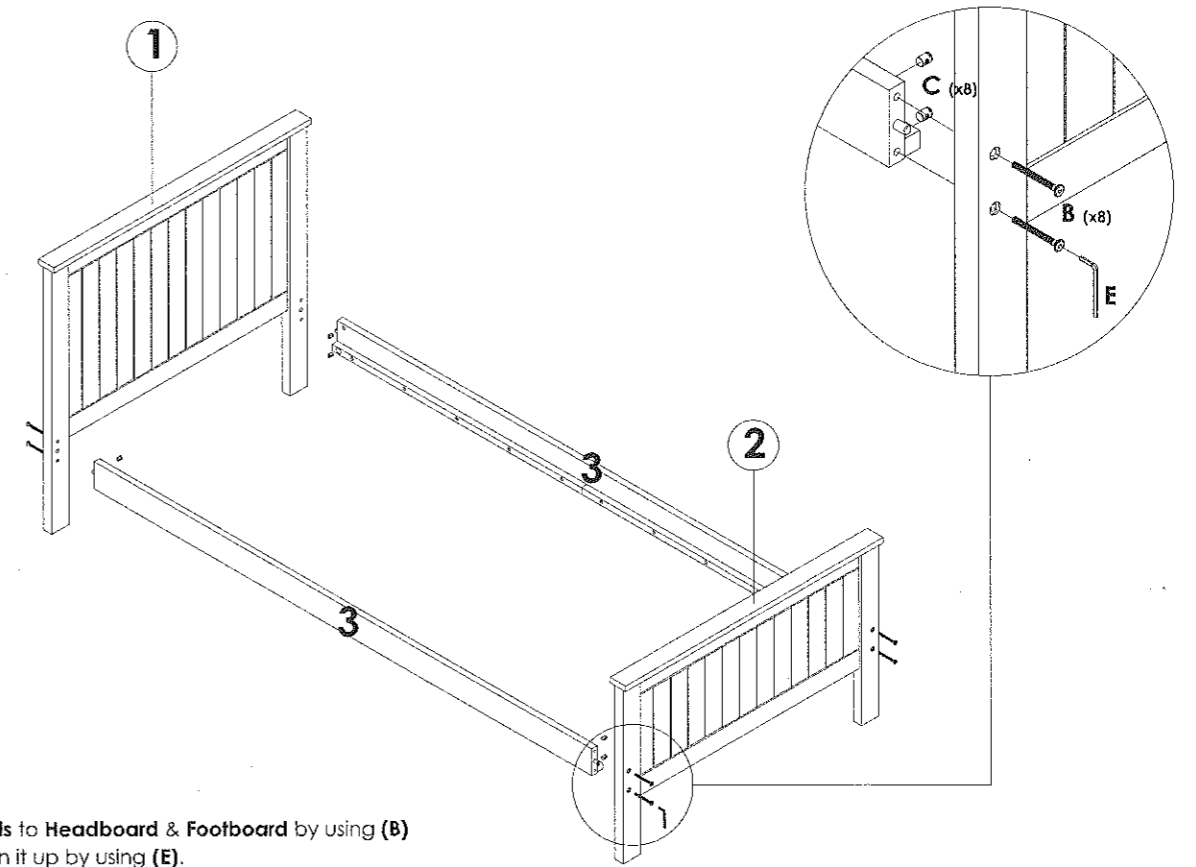
SIDE RAILS
2 PCS / SET
(CARTON 2 OF 2)



WOODEN SLATS
12 PCS / SET
(CARTON 1 OF 2)



STEP 1
Insert (A) into Ø10 holes on Side Rails by using a Rubber Hammer.



STEP 2
Attach Side Rails to Headboard & Footboard by using (B) and (C), tighten it up by using (E).