





ASSEMBLY INSTRUCTION ITEM NO: 28044/28054 MIRROR


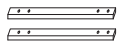

Thank you for purchasing this quality product. Be sure to check all packing material carefully for small parts which may have come loose inside the carton during shipment. Separate, identify and count all parts and hardware. Compare with the parts list to be sure all parts are present.

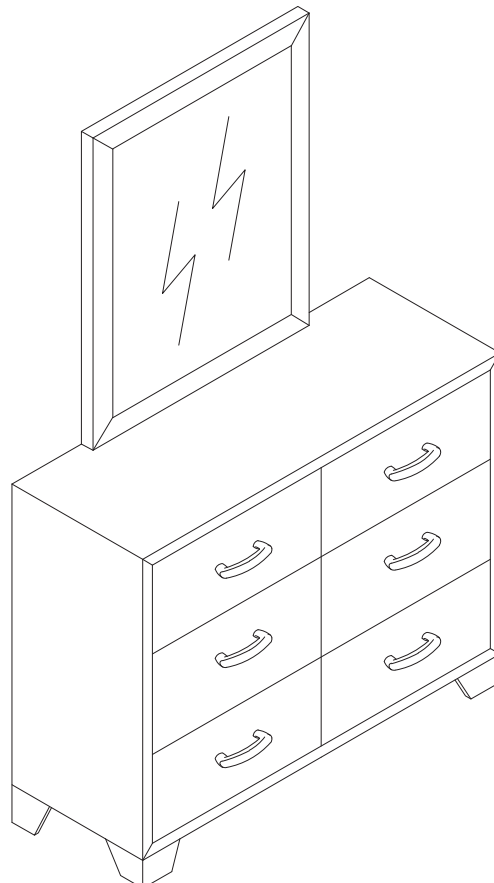
"DO NOT TIGHTEN SCREWS UNTIL COMPLETELY ASSEMBLED"

IMPORTANT:

PLEASE READ INSTRUCTION BEFORE STARTING THE ASSEMBLY

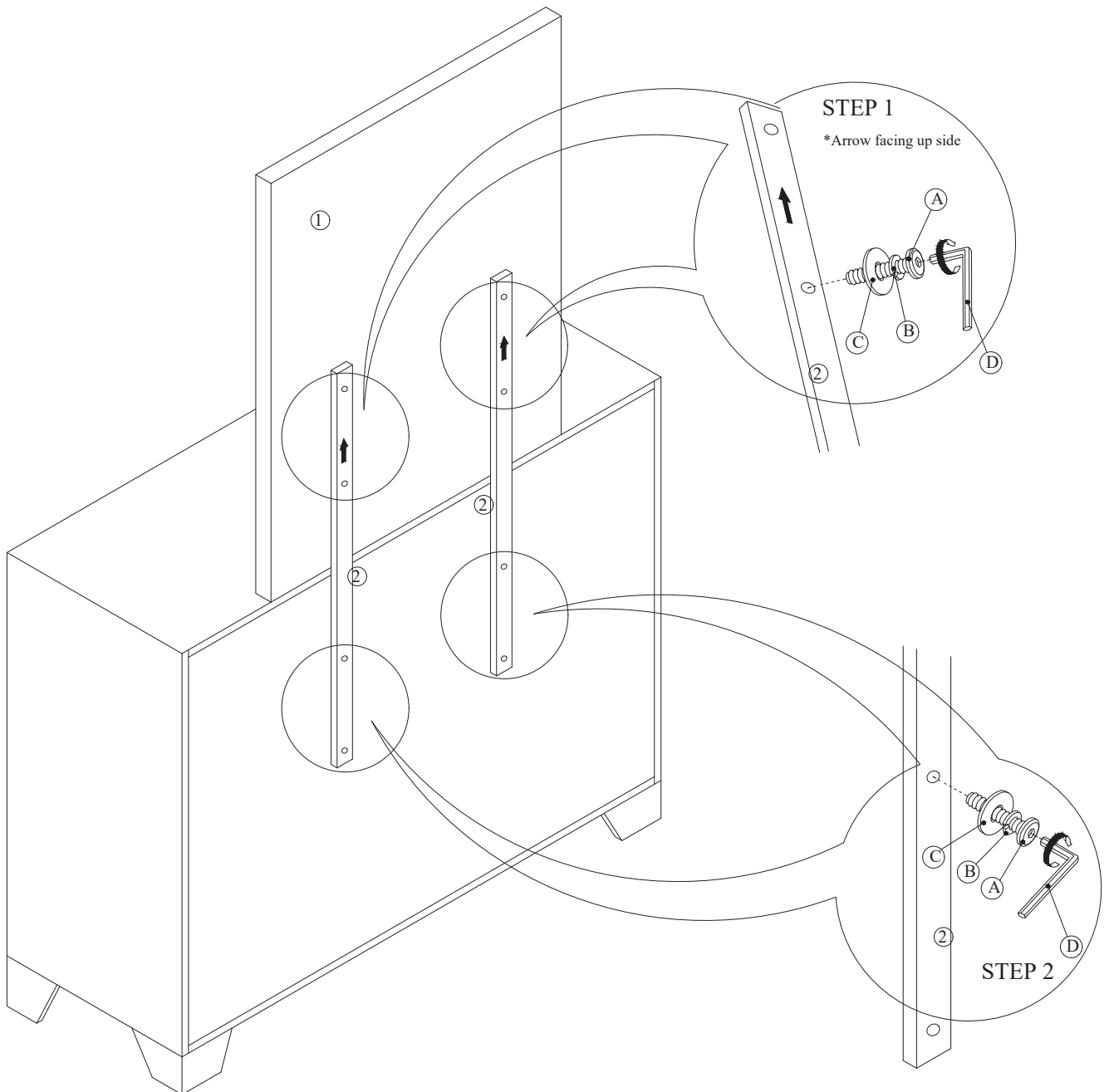
HARDWARE LIST				
ITEM	DESCRIPTON	DRAWING	SIZE	QTY
A	JCBC SCREW		M6 X 40MM	8PCS
B	SPRING WASHER		M6 X 13MM	8PCS
C	FLAT WASHER		M6 X 19MM	8PCS
D	L - KEY		M4 X 65MM	1PC

PART LIST			
BOX OF MIRROR			
ITEM	DESCRIPTON	DRAWING	QTY
1	MIRROR		1PC
2	MIRROR SUPPORT RAIL		2PCS
BOX OF DRESSER			
1	DRESSER		1PC



ASSEMBLY INSTRUCTION

ITEM NO : 28044/28054 MIRROR



ASSEMBLY
COMPLETED