

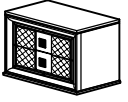


# ASSEMBLY INSTRUCTION

MODEL : 27973





DESCRIPTION : NIGHTSTAND

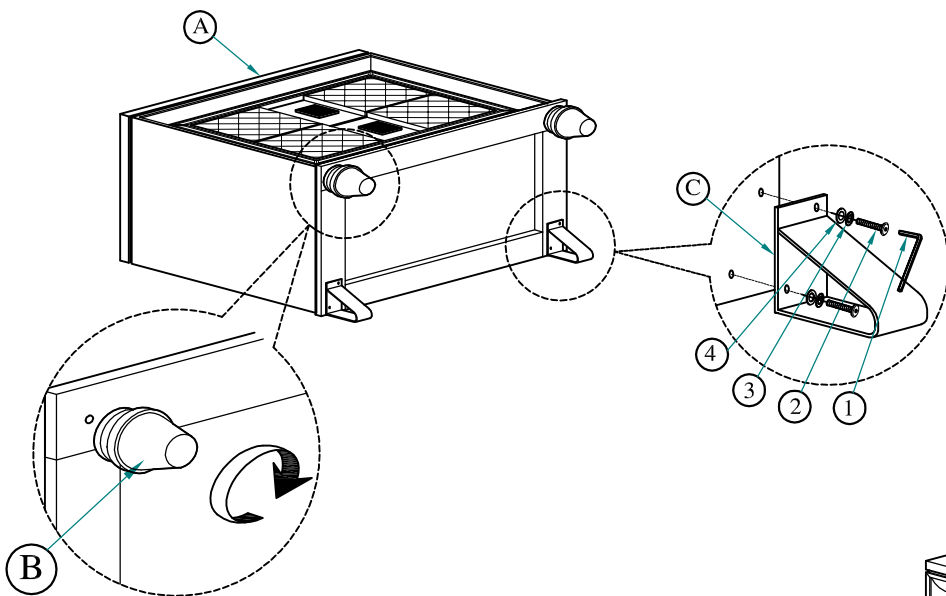
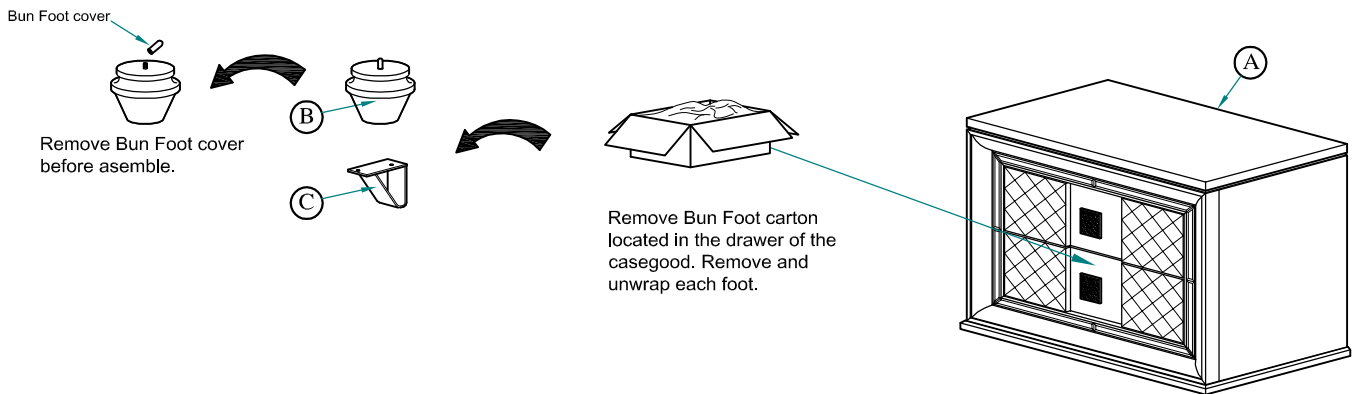
Thank you for purchasing this quality product. Be sure to check all packing material carefully for small parts which may have loose inside the carton during shipment. Identify and count all parts and compare with the parts list below.

## PART LIST#

NO	NAME	PART	QTY
A	Nightstand		1pc
B	Bun Foot		2pcs
C	Metal Leg		2pcs

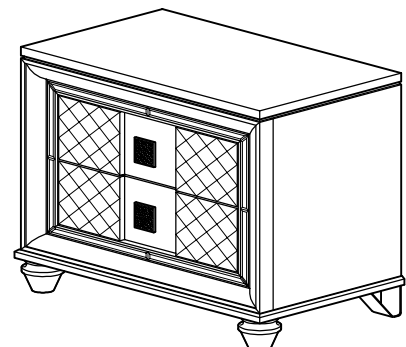
## HARDWARE LIST#

NO	NAME	PART	QTY
1	Allen Key		1pc
2	JCBC - M6 x 20mm		4pcs
3	M6 Spring Washer		4pcs
4	M6 Flat Washer		4pcs



Step 1:  
Secure the (B) Bun Foot to the bottom of (A) Nightstand as a diagram shown.

Step 2:  
Secure the (C) Metal Leg to the bottom of (A) Nightstand as a diagram shown, tighten with (2) JCBC M6 x 20mm, (3) Spring washer & (4) Flat washer.



Assembly completed