



ASSEMBLY INSTRUCTION

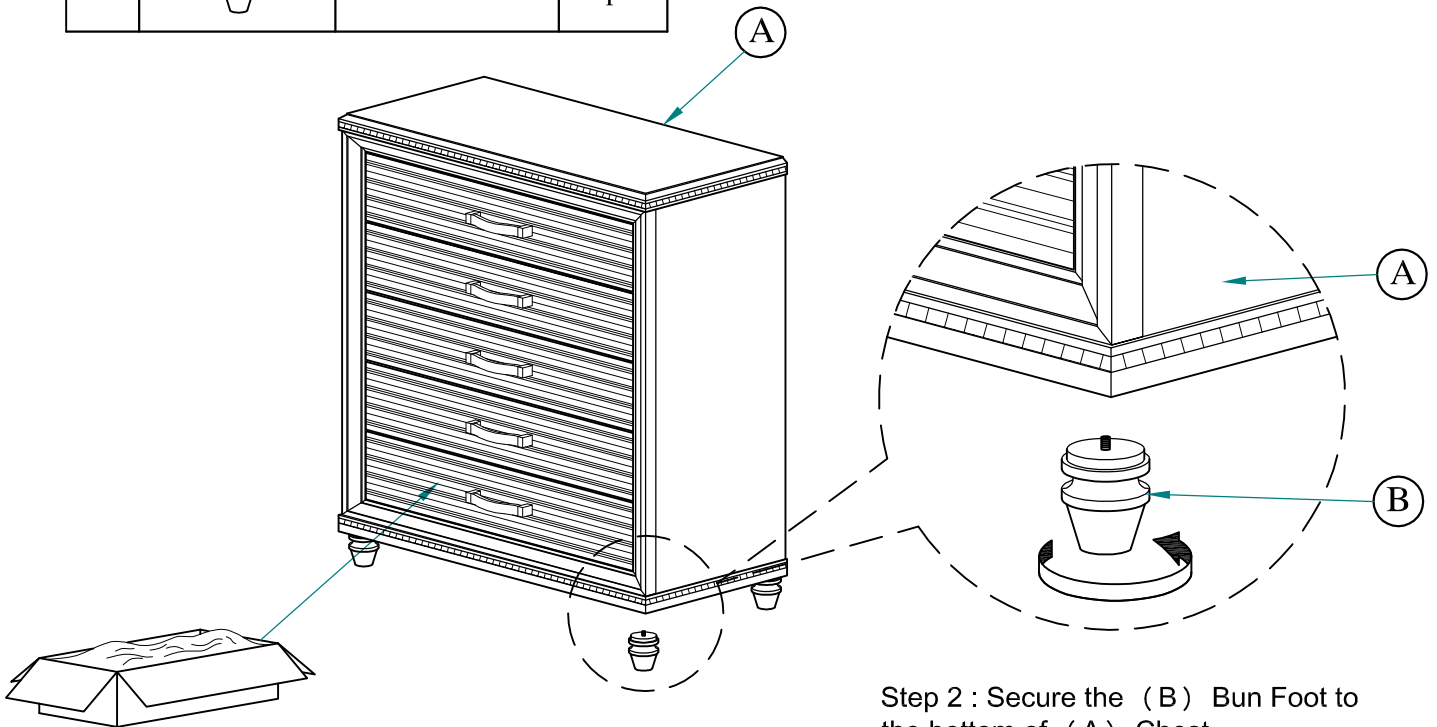
MODEL : 27946

DESCRIPTION : CHEST

Thank you for purchasing this quality product. Be sure to check all packing material carefully for small parts which may have loose inside the carton during shipment. Identify and count all parts and compare with the parts list below.

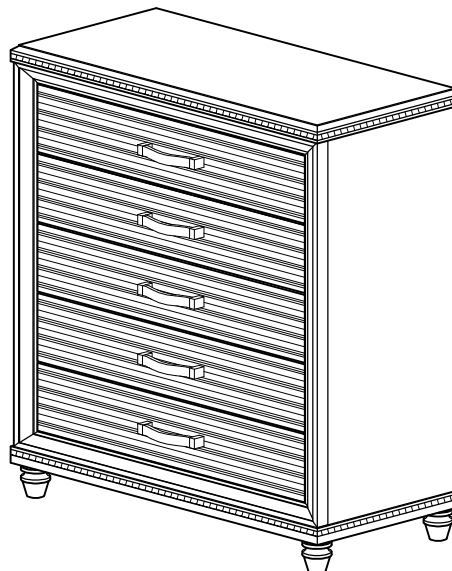
PART LIST#

NO	DRAWING	DESCRIPTION	QTY
A		Chest	1pc
B		Bun Foot	4pcs





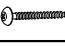
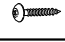
Step 1 : Remove Bun Foot carton located in the drawer of the casegood. Remove and unwrap each foot.

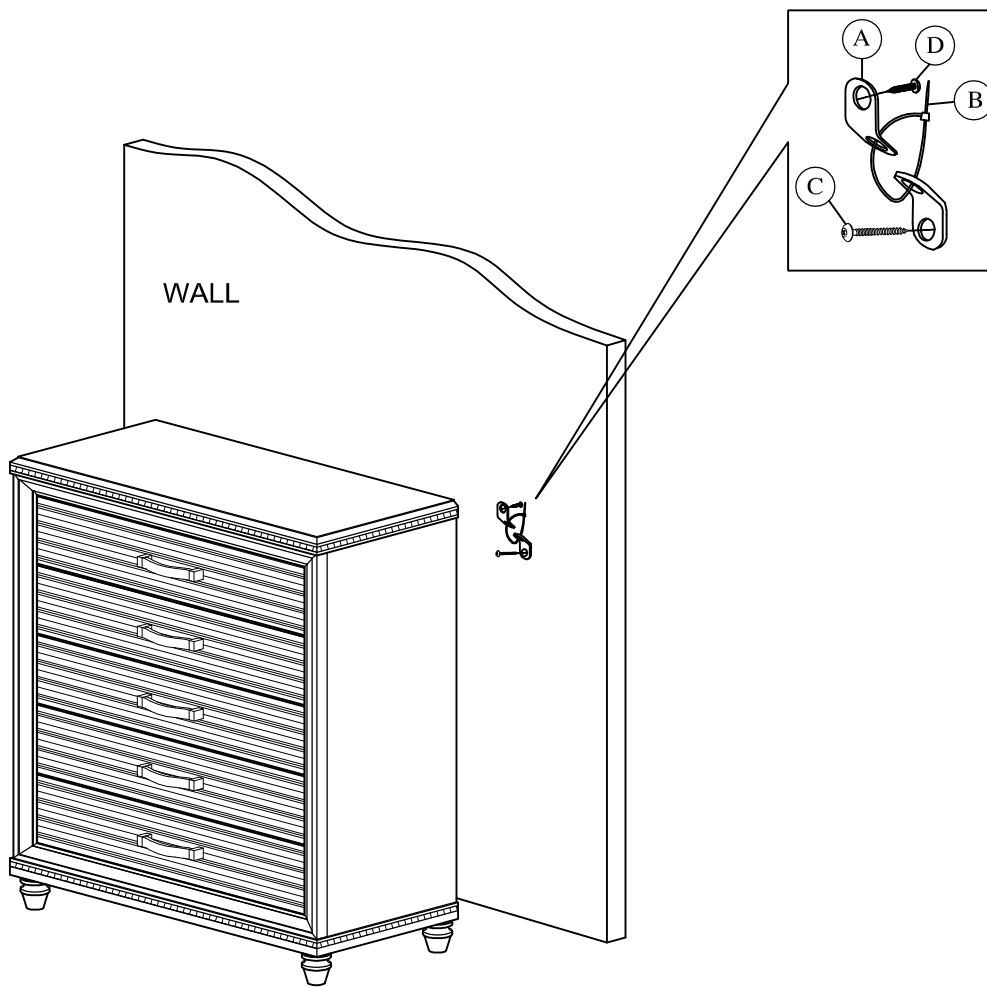
Step 2 : Secure the (B) Bun Foot to the bottom of (A) Chest as a diagram shown.



Assembly completed

HARDWARE LIST (ANTI TIPPING)

NO	NAME	PART	QTY
A	Bracket		2pcs
B	Tie Wrap		1pc
C	Long Screw		1pc
D	Short Screw		1pc



Assembly completed