

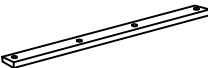




# ASSEMBLY INSTRUCTION FOR ACME FURNITURE


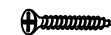
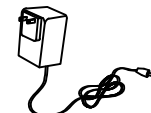
## MODEL # 27647EK-HF /27648EK-R

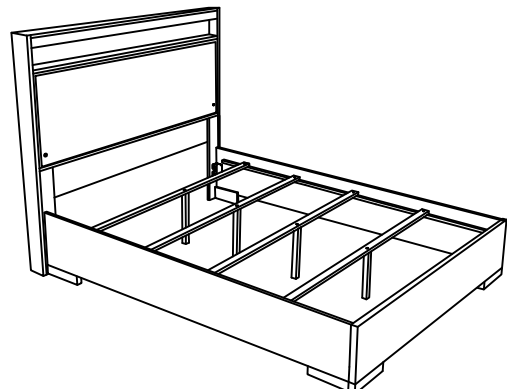
Thank you for purchasing the quality product. Be sure to check all packing material carefully for small parts which may have come loose inside the carton during shipment. Separate, identify and count all parts and metal hardware. Compare with all parts list to be sure all parts are present. If any part(s) are missing or damaged, please contact your local furniture dealer. For efficient and speedy service, please indicate the model number and code letter of part(s) needed.

\*\*\*Do not fully tighten screws until fully assembled\*\*\*

COMPONENT PARTS		
DESCRIPTION	PART NAME	Q'TY (PCS)
①	HEADBOARD 	1
②	FOOTBOARD 	1
③	BED SLAT 	4
④	BED SLAT SUPPORT 	8
⑤	SIDE RAIL 	2

### HARDWARE REQUIRED (BOX OF HEADBOARD)

- A  ALLEN KEY M5 - 1 PC
- B  FLATHEAD CHIPBOARD SCREW 5/32" x 1 2/8" - 8 PCS
- C  ADAPTOR - 1 PC

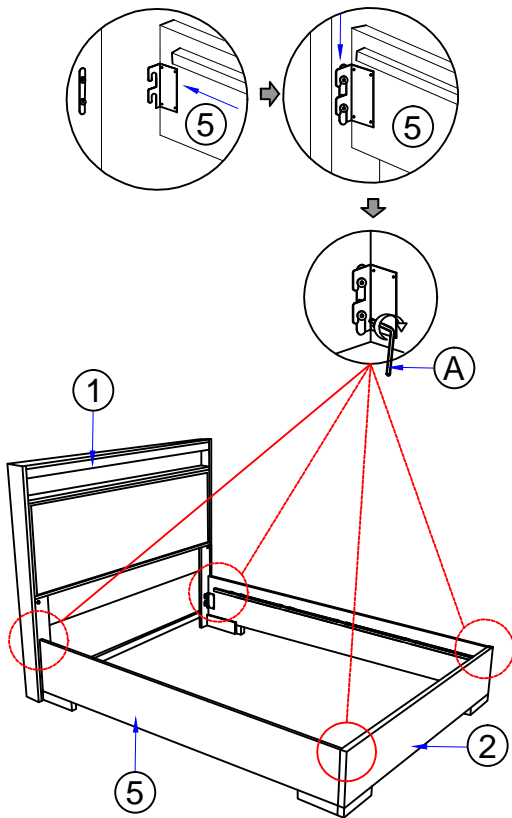


**Attention:**

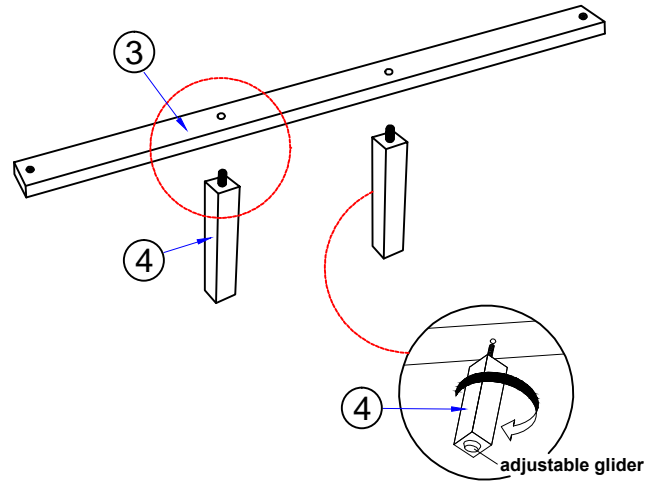
\*\*\* Some number parts listed in the instruction sheet may not be in parts bags as they already be assembled. Carefully check parts and packing materials prior to ordering replacements.

# How to assemble:

Step 1:

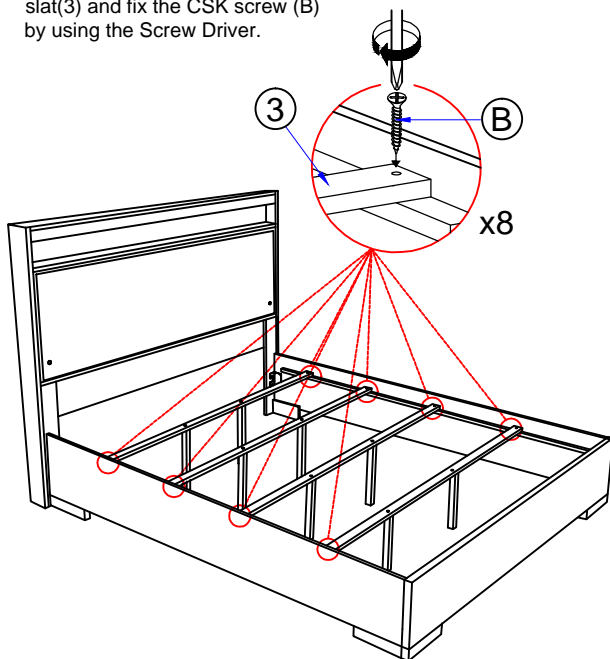


Step 2:



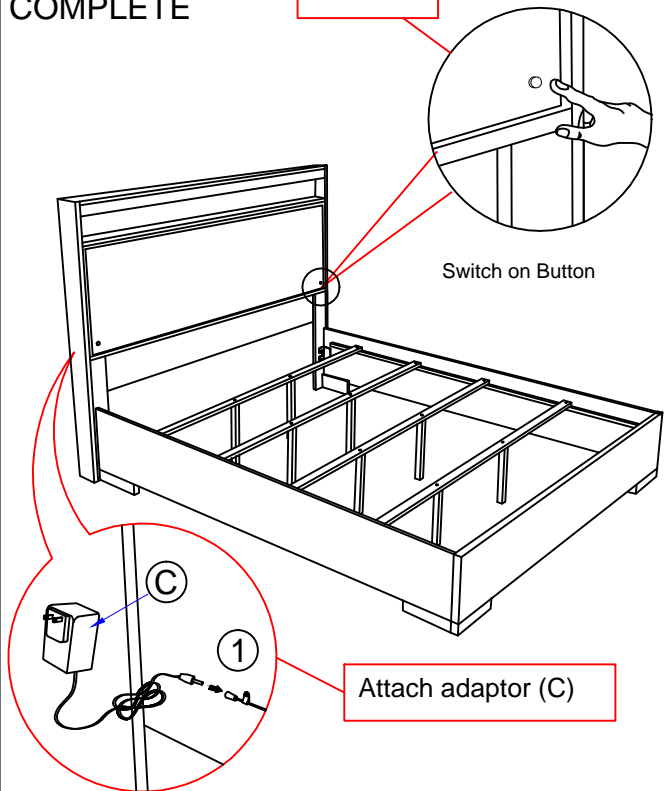
Step 3:

Push the side rail(5) meet with wooden slat(3) and fix the CSK screw (B) by using the Screw Driver.



Step 4:  
COMPLETE

To Active



Back View

Attach adaptor (C)