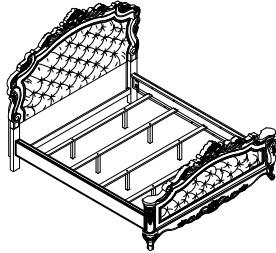


ASSEMBLY INSTRUCTION

ITEM#: 27437CK/EK-HB/ 27438CK/EK-FB/ 27434CK-R

DESCRIPTION: CAL.KING BED

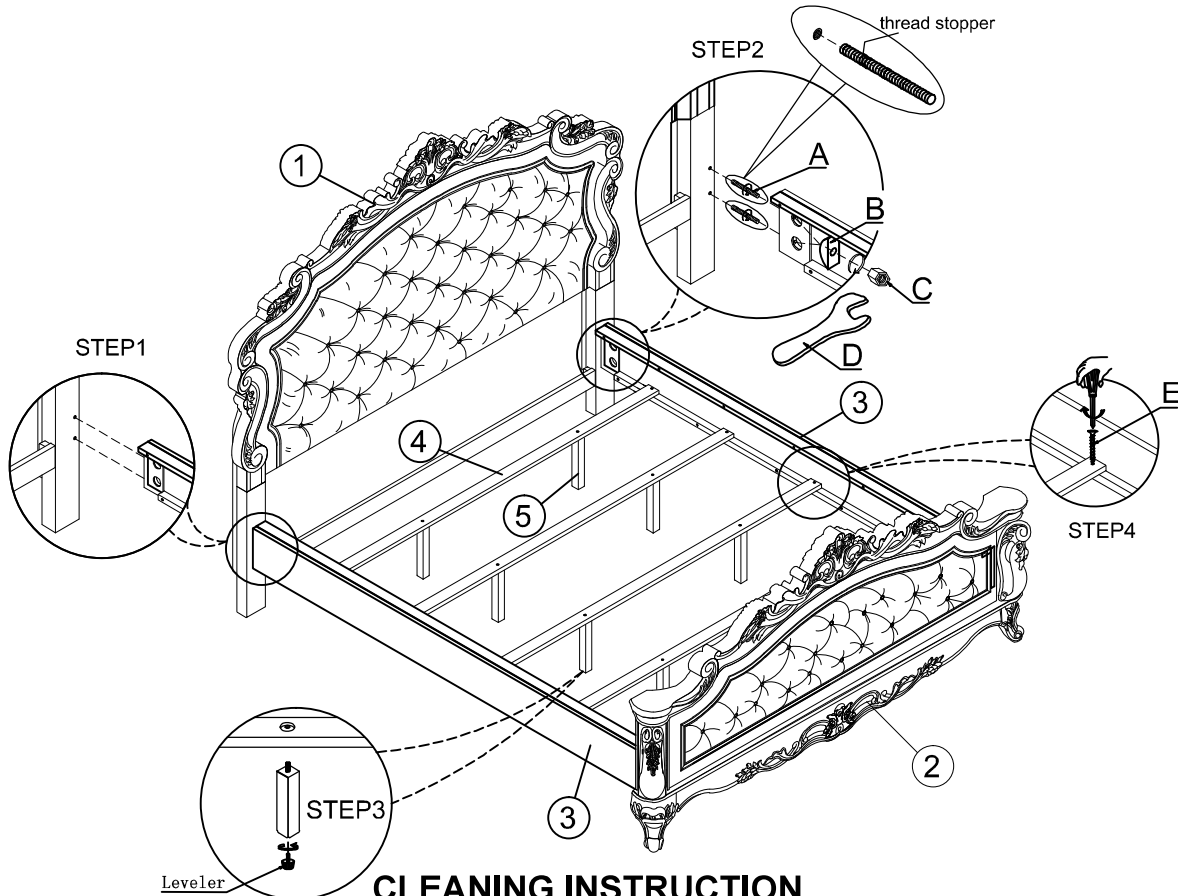
Thank you for purchasing this quality product. Be sure to check all packing materials carefully for small parts, which may have come loose inside the carton during shipment. Identify and count all parts



HARDWARE LIST			
NO.	Drawing	Description	Qty
A		Threaded Bolt (Ø5/16"X3-1/2")	8pcs
B		Flat washer (Ø28x14.5x7.5)	8pcs
C		Hex Nut (Ø5/16")	8pcs
D		Ø5/16" Wrench(12mm)	1pc
E		Wood screw Ø8x1-1/4"	8pcs

PARTS LIST:

①	②	③	④	⑤
HEADBOARD: 1PC	FOOTBOARD: 1PC	SIDE RAIL: 2PCS	SLATS : 4PCS	SUPPORT LEGS: 8PCS



CLEANING INSTRUCTION

Clean the Cal.king Bed surface with a furniture polish and a soft cloth.

Made in Vietnam

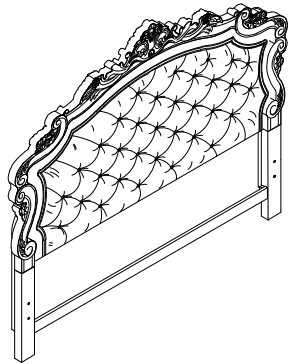
ASSEMBLY INSTRUCTION

ITEM#: 27437CK/EK-HB

DESCRIPTION: KING UPH HEADBOARD

Thank you for purchasing this quality product. Be sure to check all packing materials carefully for small parts, which may have come loose inside the carton during shipment. Identify and count all parts and compare with the parts list below.

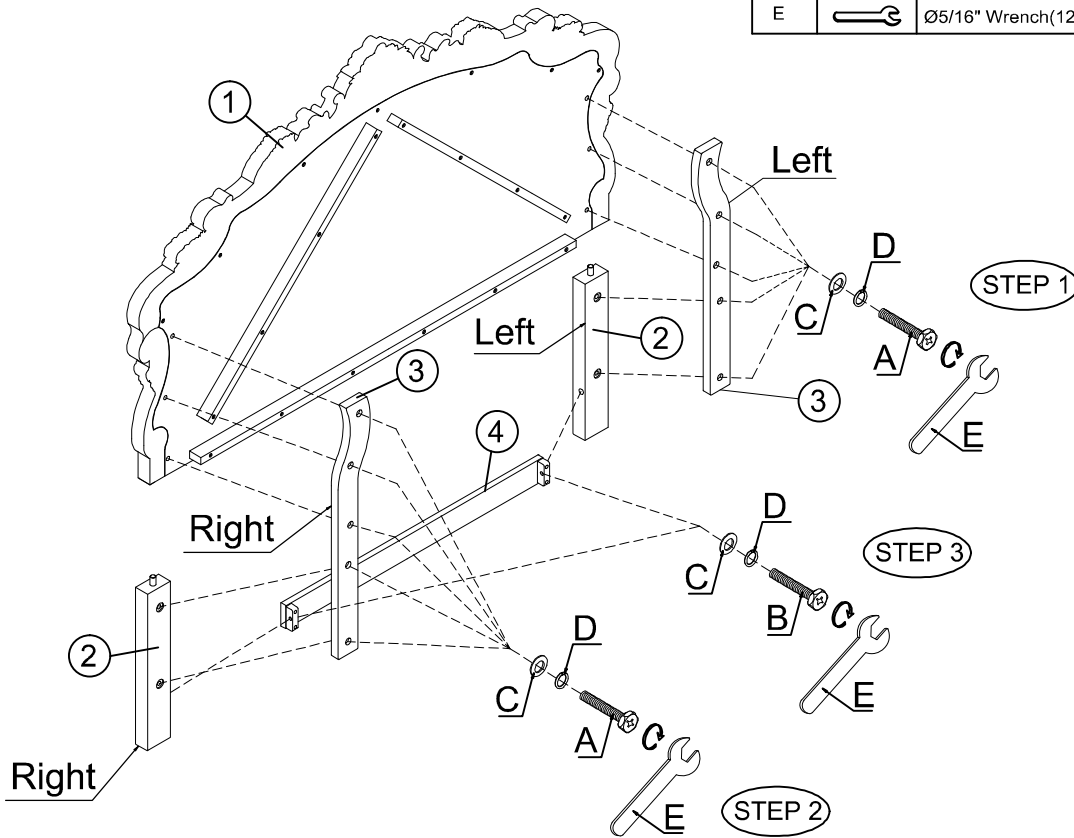
PARTS LIST:



①		②		③		④	
		LEFT RIGHT		LEFT RIGHT			
HEADBOARD: 1PC		POST-LEGS: 2PCS		WOOD SUPPORT: 2PCS		HEADBOARD SLAT: 1PC	

HARDWARE LIST

NO.	Drawing	Description	Q'ty
A		Bolt (Φ5/16"x2")	10pcs
B		Bolt (Φ5/16"x1-1/2")	2pcs
C		Flat washer (Ø5/16"x19mm)	12pcs
D		Spring washer (Ø5/16")	12pcs
E		Ø5/16" Wrench(12mm)	1pc



CLEANING INSTRUCTION

Clean the King Uph Headboard surface with a furniture polish and a soft cloth.

Made in Vietnam