

ASSEMBLY INSTRUCTION



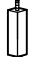
MODEL : 27235 (CHAMPAGNE)

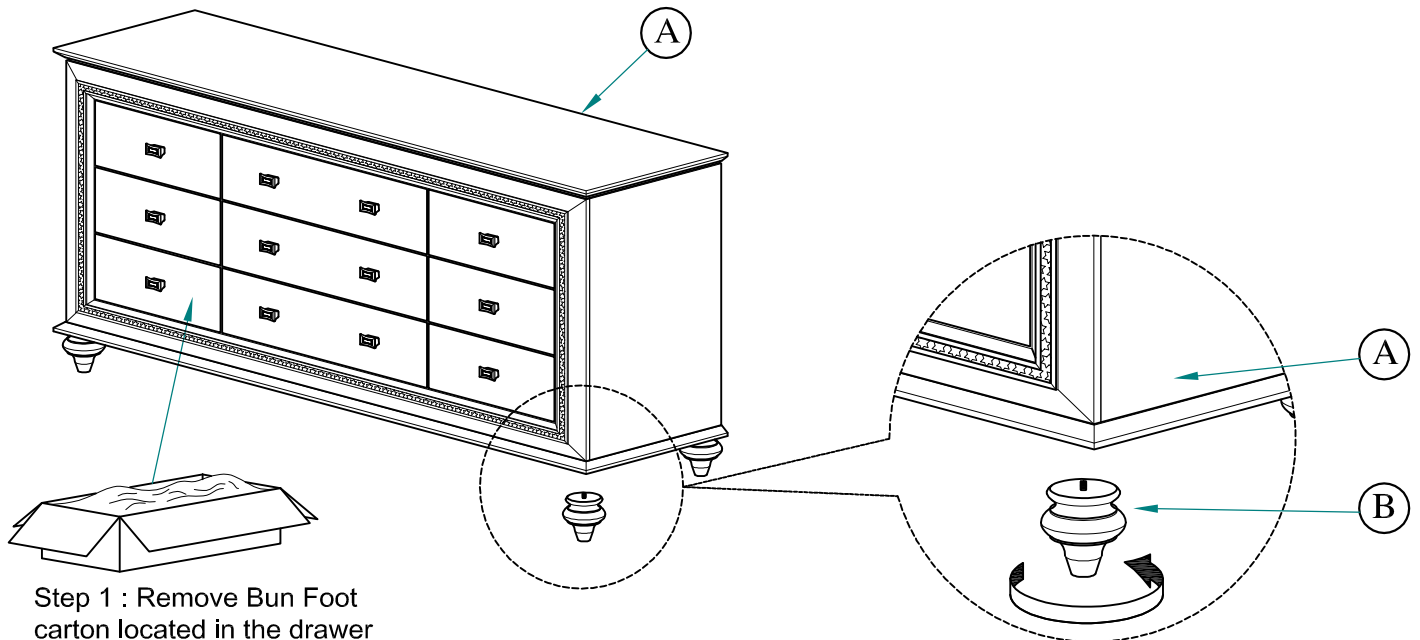
MODEL : 27285 (METALLIC GREY)

DESCRIPTION : DRESSER

Thank you for purchasing this quality product. Be sure to check all packing material carefully for small parts which may have loose inside the carton during shipment. Identify and count all parts and compare with the parts list below.

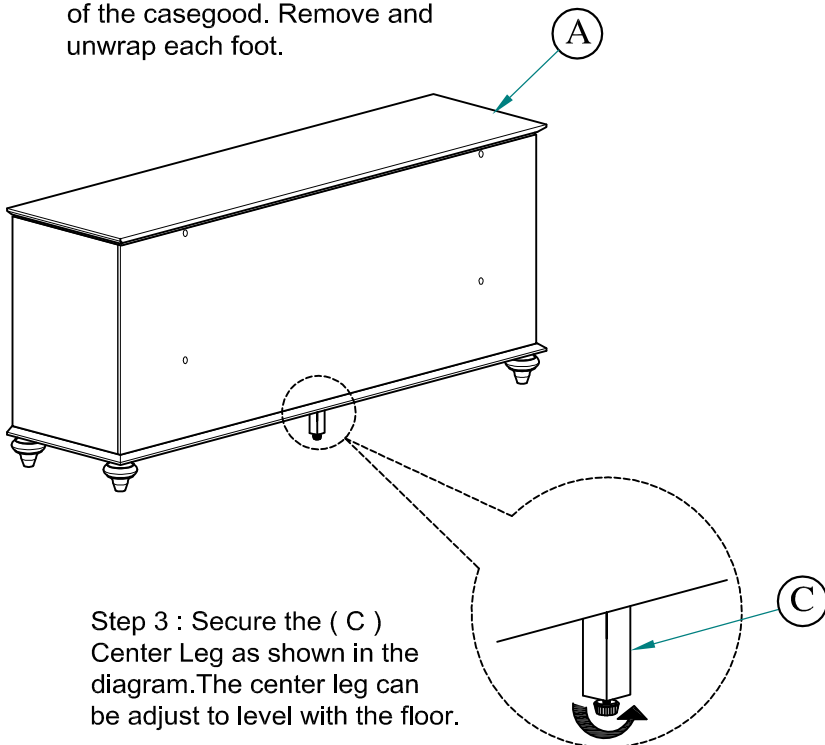
PART LIST#

NO	DRAWING	DESCRIPTION	QTY
A		Dresser	1pc
B		Bun Foot	4pcs
C		Center Leg	1pc

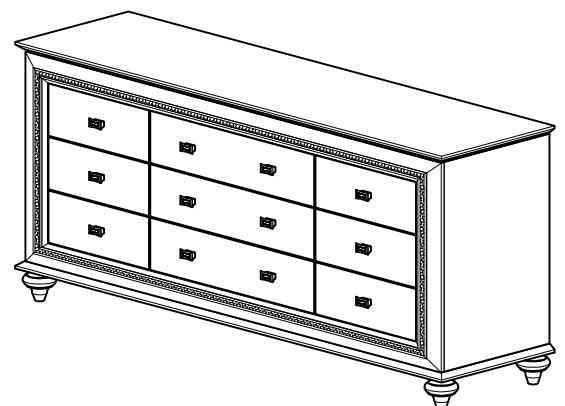


Step 1 : Remove Bun Foot carton located in the drawer of the casegood. Remove and unwrap each foot.

Step 2 : Secure the (B) Bun Foot to the bottom of (A) Dresser as a diagram shown.



Step 3 : Secure the (C) Center Leg as shown in the diagram. The center leg can be adjust to level with the floor.



Assembly completed

HARDWARE LIST (ANTI TIPPING)

NO	DRAWING	DESCRIPTION	QTY
1		Bracket	2pcs
2		Tie Wrap	1pc
3		Screw (Long)	1pc
4		Screw (Short)	1pc

