

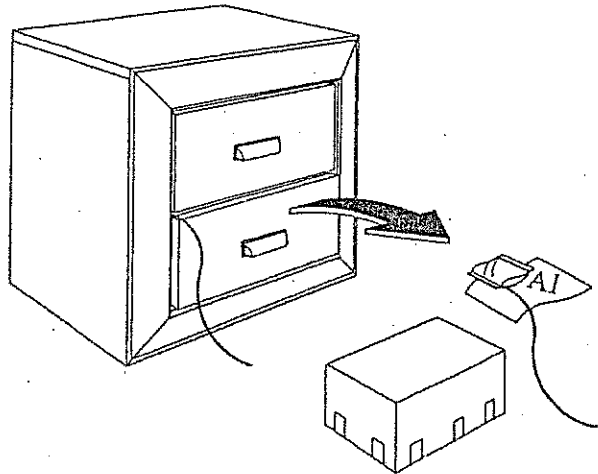
ASSEMBLY INSTRUCTIONS

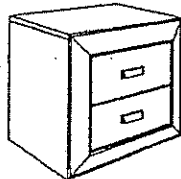

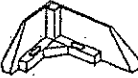

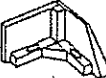




MODEL : FBNSTA-077A

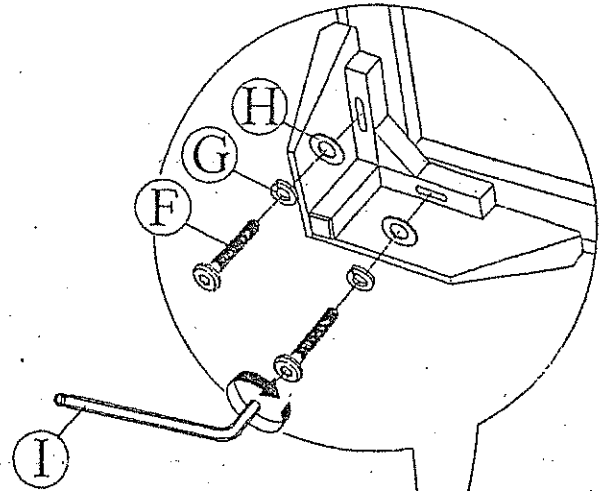
REVISION : A

STEP 1

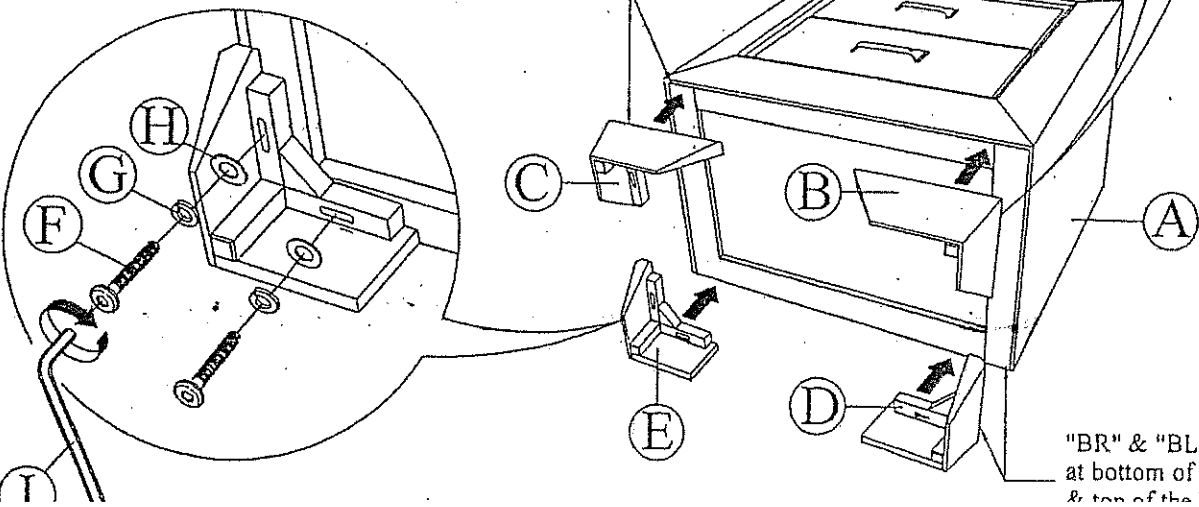
Take out Assembly Instruction sheet, Hardware Pack and Feet Packaging from the Drawer which marked with the rope.



NO	PARTS LIST		
A	Night Stand		1
B	FR Front Right Feet		1
C	FL Front Left Feet		1
D	BR Rear Right Feet		1
E	BL Rear Left Feet		1
NO	HARDWARE LIST		
F	JCBC M6 x 35mm		8
G	Spring Washer		8
H	Washer $\text{\O} \frac{1}{4}$ " x 20mm		8
I	Allen Key M4		1



"FR" & "FL" Marking at bottom of the Unit & top of the Leg



"BR" & "BL" Marking at bottom of the Unit & top of the Leg