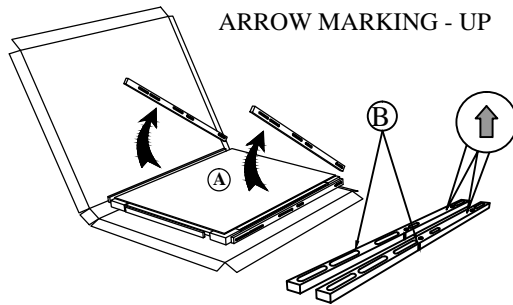


ASSEMBLY INSTRUCTION

**MODEL : 0194A/0210A
DRESSER & MIRROR**

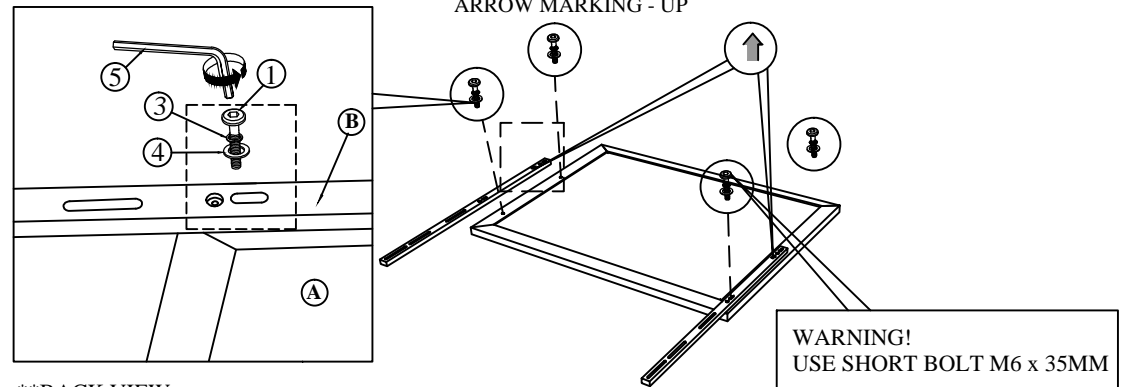
STEP 1

Draw out mirror support (B) from the carton box.



STEP 2 : Align & fasten mirror support (B) to the back of mirror (A) using short JCBC bolt(1), spring washer (3) & flat washer (4). **DO NOT FULLY TIGHTEN AT THIS STEP.**

Note : Make sure arrow marking of the mirror support (B) is aligned up.



**BACK VIEW

(Box 1)

BOX OF MIRROR

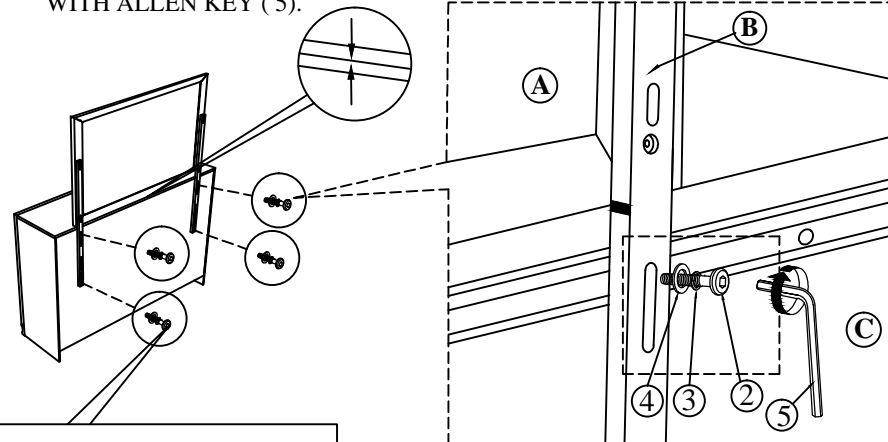
NO	ITEM	Qty
A	MIRROR	1 PC
B	MIRROR SUPPORT RAIL	2 PCS

(Box. 2)

BOX OF DRESSER

NO	ITEM	Qty
C	DRESSER	1 PC

STEP 3 : Place mirror (A) on top of dresser (C). Align & fasten mirror support (B) to the back of dresser (C) using long JCBC bolt (2) , spring washer (3) & flat washer (4) THEN FULLY TIGHTEN ALL THE BOLTS AT STEP 2 & 3 WITH ALLEN KEY (5).



WARNING!
USE LONG BOLT M6 x 40MM

Note : Make sure arrow marking of the mirror support is aligned with the arrow marking of the center of the dresser as show in drawing.

(Box. 1)

HARDWARE LIST

NO	ITEM	Qty
1	JCBC BOLT M6 x 35MM BLK	4 PCS
2	JCBC BOLT M6 x 40MM BLK	4 PCS
3	SPRING WASHER 1/4" RBW	8 PCS
4	FLAT WASHER 1/4" ID x 19mmOD BLK	8 PCS
5	ALLEN KEY m4 x 65mm BLK	1 PC



COMPLETED ASSEMBLY

NOTE : MUST TIGHTEN SCREWS PERIODCALLY WITH USE SCREW WILL BECOME LOOSE CHECK TIGHTNESS OF ALL SCREW EVERY 6-8 WEEKS.