

ASSEMBLY INSTRUCTIONS

MODEL : 0035H QUEEN STORAGE BED

(Box 1)
BOX OF HEADBOARD & FOOTBOARD

No	ITEM	Qty
A	Headboard	1 pc
B	Footboard	1 pc
C	Headboard Leg	2 pcs

(Box 1)
HARDWARE LIST

No	ITEM	Qty
1	JCBC BOLT M6 x 30MM	6 pcs
2	SPRING WASHER M6	6 pcs
3	FLAT WASHER M6	6 pcs
4	ALLEN KEY M4 x 65MM	1 pc

(Box 2)
BOX OF SIDE RAIL

No	ITEM	Qty
D	Side Rail	2 pcs
E	Center Slat Drawer	1 pc
F	Bed Slat	5 pcs
G	Bed Slat Support -30 x 30 x 320mm	5 pcs
H	Support Slat Drawer -30 x 30 x 95mm	1 pc
I	Concealed Panel	5 pcs
J	Drawer Support Rail	2 pcs

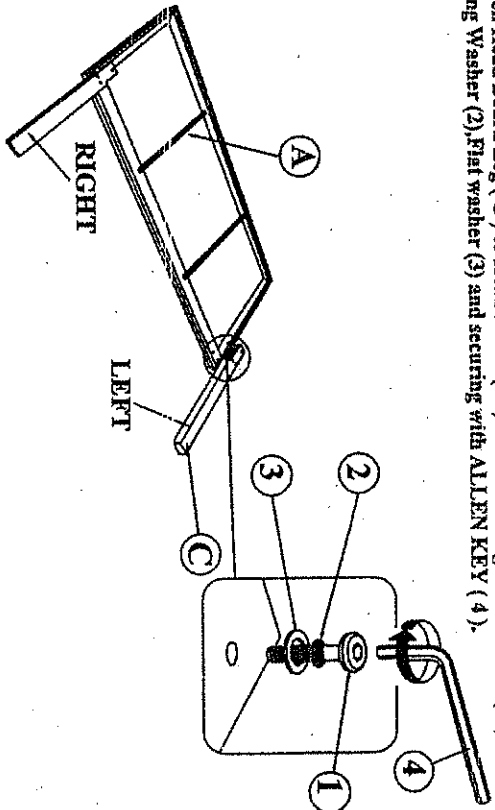
(Box 2)
HARDWARE LIST

No	ITEM	Qty
5	GSK SCREW M4 x 32MM	14 pcs
6	JCBC BOLT M6 x 35MM	2 pcs
7	SPRING WASHER M6	2 pcs
8	FLAT WASHER M6	2 pcs
9	ALLEN KEY M4 x 65MM	1 pc
10	ALLEN KEY M5 x 65MM	1 pc
11	JCBC BOLT M6 x 50MM	6 pcs
12	PH/HEAD SCREW M3.5 x 20MM	25 pcs

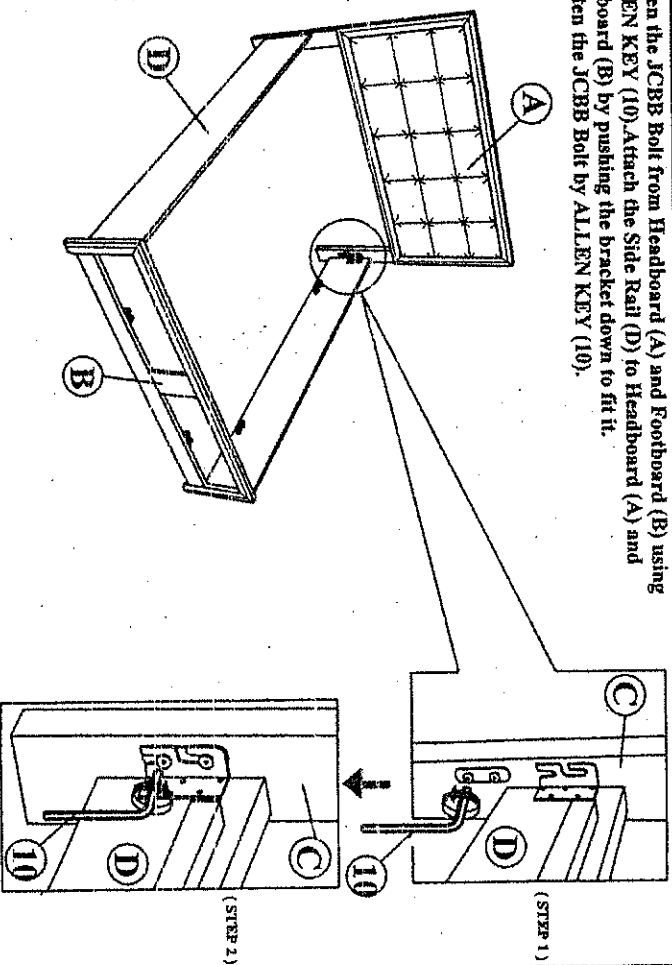
(Box 3)
BOX OF DRAWER

No	ITEM	Qty
K		2 pcs

STEP 1 : Attach Head Board Leg (C) to Head Board (A) as shown using JCBC BOLT (1) with Spring Washer (2), Flat washer (3) and securing with ALLEN KEY (4).



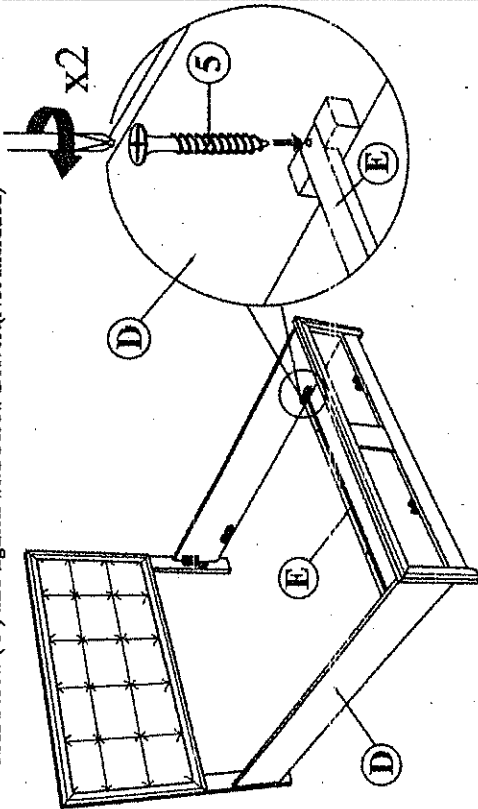
STEP 2 : Loosen the JCBB Bolt from Headboard (A) and Footboard (B) using ALLEN KEY (10). Attach the Side Rail (D) to Headboard (A) and Footboard (B) by pushing the bracket down to fit it. Tighten the JCBB Bolt by ALLEN KEY (10).



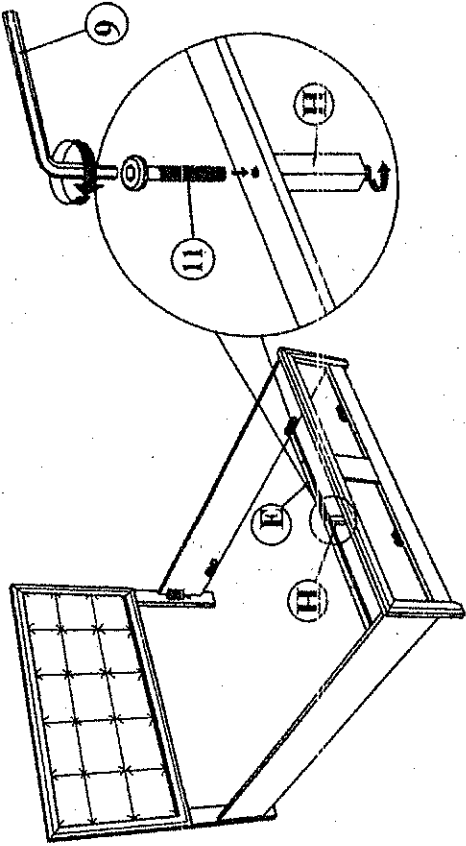
NOTE : MUST TIGHTEN SCREWS PERIODICALLY. SCREW NATURALLY LOOSEN WITH USE. CHECK TIGHTNESS OF ALL SCREW EVERY 6-8 WEEKS.

ASSEMBLY INSTRUCTIONS

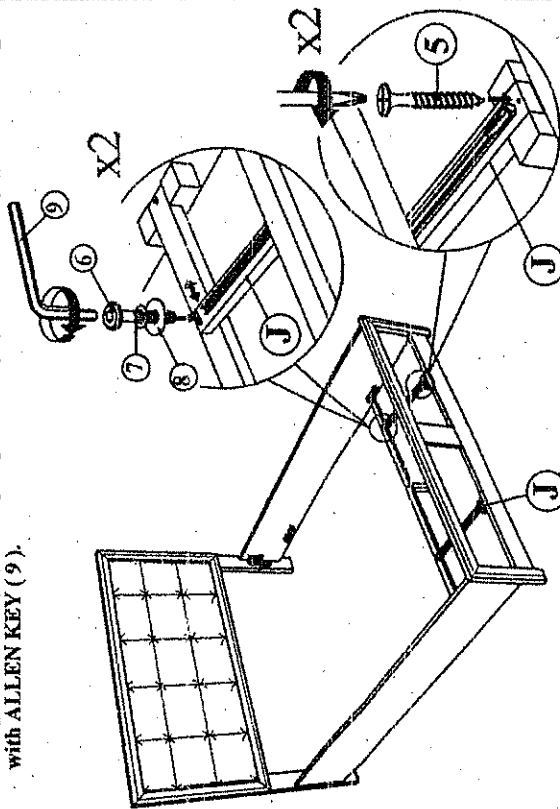
STEP 3 : Attach the Center Slat Drawer (E) to Side Rail (D) as shown using CSK Screw (S) and tighten with Screw Driver.(Not Included)



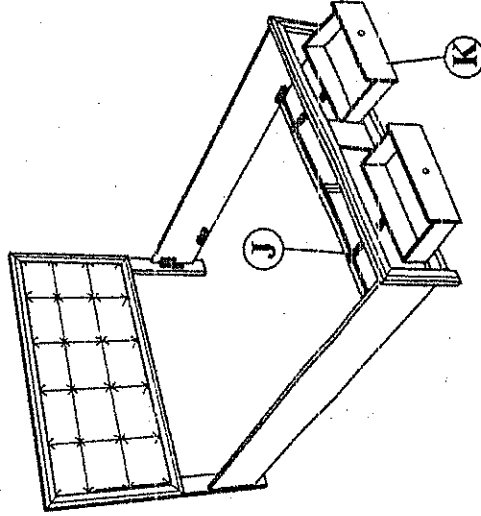
STEP 4 : Attach the Support Slat Drawer (H) to Center Slat Drawer (E) as shown using JCBC Bolt (11) and tighten with ALLEN KEY (9).



STEP 5.1 : Attach the Drawer Support Rail (J) as shown using CSK Screw (S) and tighten with Screw Driver.(Not Included)
STEP 5.2 : Using JCBC Bolt (6) with Spring Washer (7).Flat Washer (8) and securing with ALLEN KEY (9).



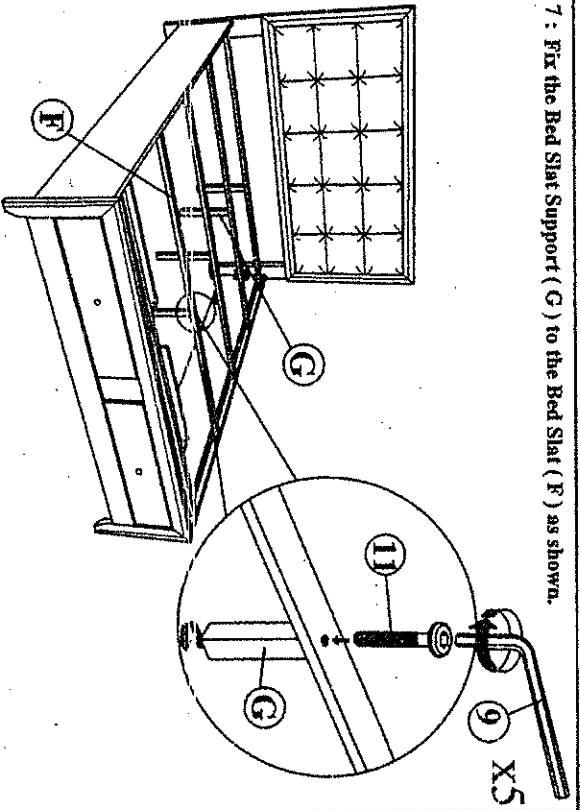
STEP 6.1 : Insert the Drawer (K) at the Drawer Support Rail (J).



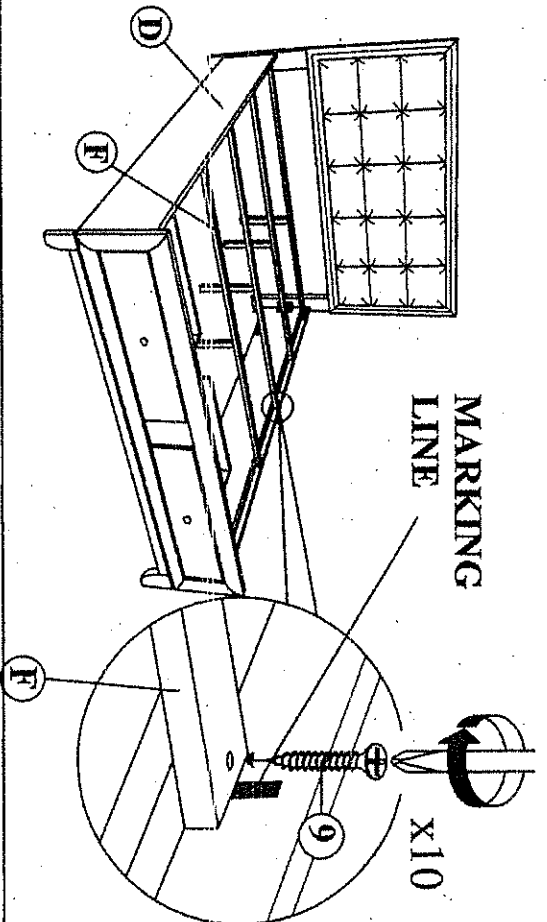
NOTE : MUST TIGHTEN SCREWS PERIODICALLY.SCREW NATURALLY LOOSEN WITH USE.CHECK TIGHTNESS OF ALL SCREW EVERY 6-8 WEEKS.

ASSEMBLY INSTRUCTIONS

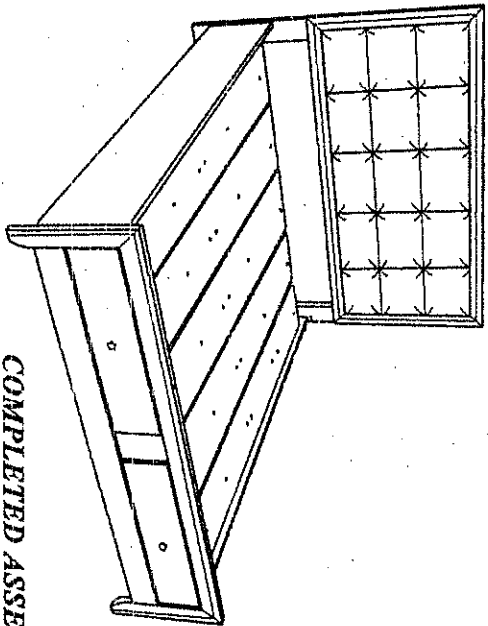
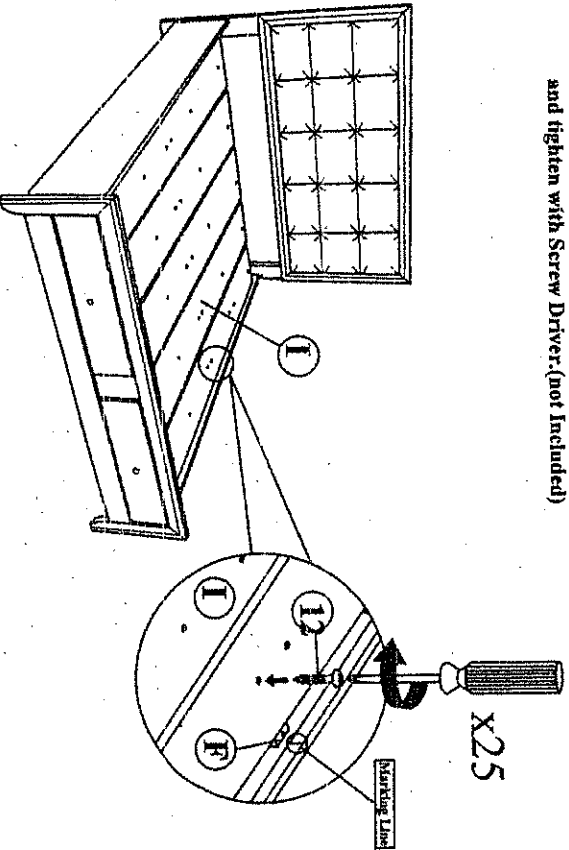
STEP 7 : Fix the Bed Slat Support (G) to the Bed Slat (F) as shown.



STEP 8 : Fix the Bed Slat (F) to the Side Rail (D) by using SCK Screw (9) as shown.



STEP 9 : Attach Concealed Panel (I) at the upper Bed Slat (F) using Panhead Screw (12) and tighten with Screw Driver.(not Included)



COMPLETED ASSEMBLY

NOTE : MUST TIGHTEN SCREWS PERIODICALLY. SCREW NATURALLY LOOSEN WITH USE. CHECK TIGHTNESS OF ALL SCREW EVERY 6-8 WEEKS.