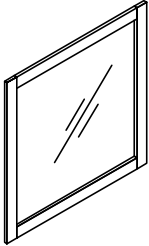
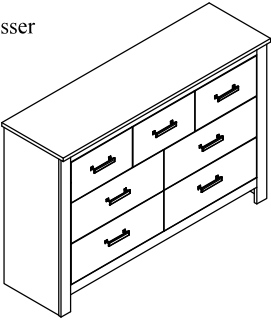
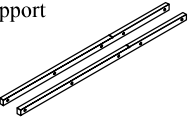



ASSEMBLY INSTRUCTIONS

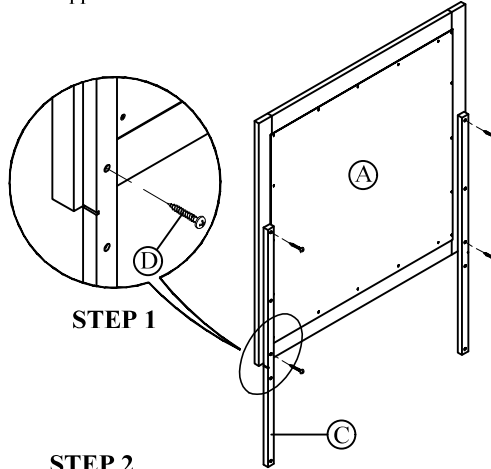
MODEL : 23374 & 23375

REVISION : A

No	Parts & Hardware	Qty
A	Mirror 	1 Pc
B	Dresser 	1 Pc
C	Mirror Support 	2 Pcs
D	PHCB Screw M4 x 32mm 	10 Pcs

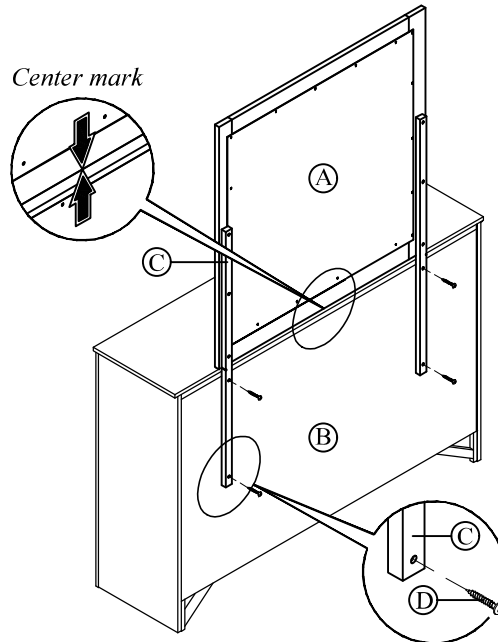
STEP 1

Attach mirror support (C) to the mirror back (A) as step 1, then tighten with screw (D). Make sure the marking line on mirror support is at the same level as the bottom of mirror.



STEP 2

Place the mirror with support on the top of dresser (B). Then align center as shown and tighten with PHCB screw (D).



STEP 2

