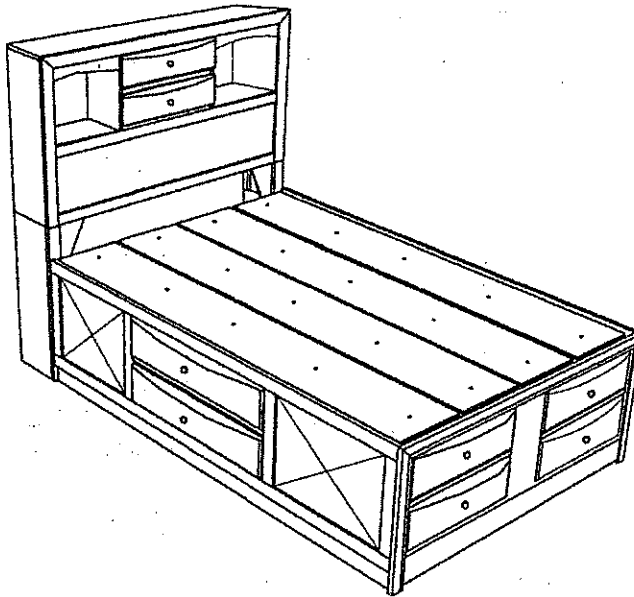


# EMILY FULL BED WITH STORAGE

MODEL :  
0016M

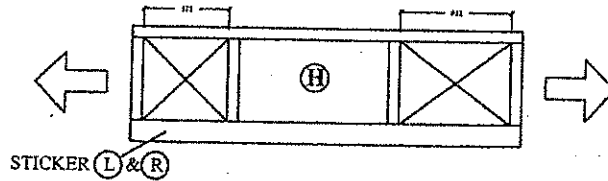
## Assembly Installation Guide

DESCRIPTION:  
Emily Full Headboard  
Emily Full Footboard  
Emily Full Side Rails  
Emily Full Slat & Support Legs  
Emily Storage Drawer

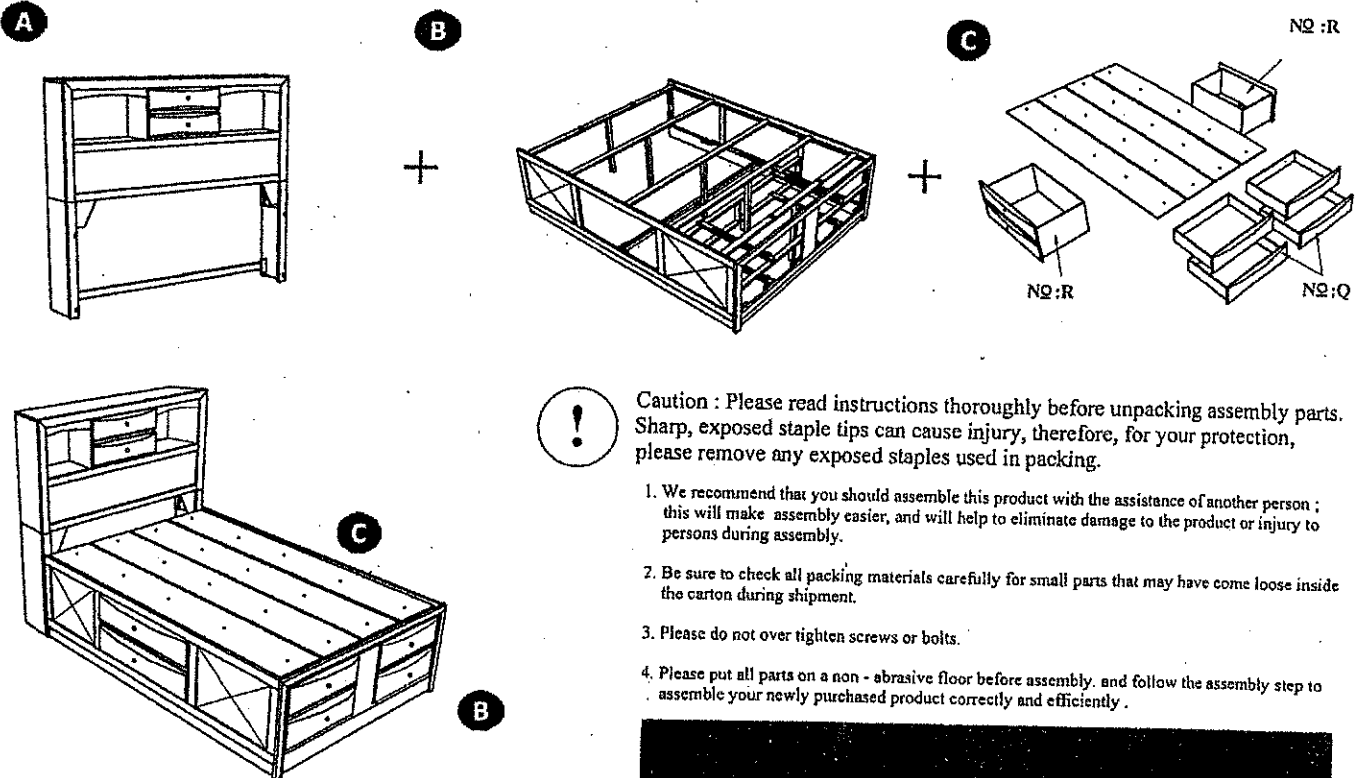


ATTACH TO HEADBOARD

ATTACH TO FOOTBOARD



## INSTALLATION AREA



Caution : Please read instructions thoroughly before unpacking assembly parts. Sharp, exposed staple tips can cause injury, therefore, for your protection, please remove any exposed staples used in packing.

1. We recommend that you should assemble this product with the assistance of another person ; this will make assembly easier, and will help to eliminate damage to the product or injury to persons during assembly.
2. Be sure to check all packing materials carefully for small parts that may have come loose inside the carton during shipment.
3. Please do not over tighten screws or bolts.
4. Please put all parts on a non - abrasive floor before assembly, and follow the assembly step to assemble your newly purchased product correctly and efficiently.



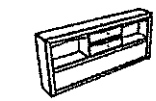
**2 PERSON**  
installation recommended



**20 - 25**  
minutes for installation

# BOX 1

## Box of Headboard & Footboard



NO A

Headboard x 1  
255 x 1420 x 1436 mm



NO B

Footboard x 1  
42 x 570 x 1434mm



NO A1

Headboard Drawer x 2



NO C(L)

Headboard Leg (L) x 1



NO C(R)

Headboard Leg (R) x 1



NO D

Triangle Support Panel x 2  
9 x 200 x 200



NO E

Drawer Support Rail 2 x 4  
20 x 40 x 633mm



NO F

Support Leg 2 x 1  
30 x 30 x 95mm



NO G

Support Leg 3 x 1  
30 x 30 x 107mm

## Hardware List



NO 1

Flat Head Chipboard  
Screw x 8  
m4 x 32mm RBW



NO 2

Pan Head Chipboard  
Screw x 8  
m3.5 x 20mm BLK



NO 3

JCBC Bolt x 4  
m6 x 35mm  
BLK



NO 4

JCBC Bolt x 2  
m6 x 50mm  
BLK



NO 5

Spring Washer x 6  
1/4" RBW



NO 6

Flat Washer x 6  
1/4" ID x 13mm OD  
BLK

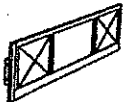


NO 7

Allen Key x 1  
m4 x 110mm BLK

# BOX 2

## Box of Side rail



NO H

Side Rail x 2  
39 x 570 x 1930mm



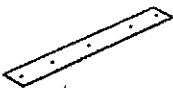
NO I

Bed Slat x 3  
18 x 45 x 1387mm



NO J

F/Board Drawer Frame x 1  
40 x 220 x 1387mm



NO K

Concealed Panel x 4  
9 x 295 x 1925mm



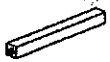
NO L

H/Board Back Support 1 x 1  
19 x 30 x 1403mm



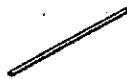
NO M

Drawer Support Rail x 1  
30 x 30 x 1387mm



NO N

Support Leg 1 x 5  
30 x 30 x 518mm



NO O

H/Board Back Support 2 x 1  
18 x 45 x 1403mm



NO P

Bed Slat With Marking x 2  
18 x 45 x 1387mm

## Hardware List



NO 8

Flat Head Chipboard  
Screw x 16  
m4 x 32mm RBW



NO 9

Pan Head Chipboard  
Screw x 22  
m3.5 x 20mm BLK



NO 10

JCBC Bolt x 15  
m6 x 35mm  
BLK



NO 11

JCBC Bolt x 6  
m6 x 50mm  
BLK



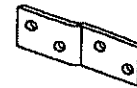
NO 12

Spring Washer x 15  
1/4" RBW



NO 13

Flat Washer x 15  
1/4" ID x 13mm OD  
BLK



NO 14

Z-Bracket x 1



NO 15

Allen Key x 1  
m4 x 110mm BLK

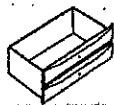
# BOX 3 & 4

## Box of Parts & Hardware



NO Q

Drawer 1 x 4



NO R

Drawer 2 x 2



NO 16

Handle x 8



NO 17

Truss Head M.  
Screw Handle x 4  
m4 x 48mm BLK



NO 18

Truss Head M.  
Screw Handle x 4  
m4 x 50mm BLK

# A

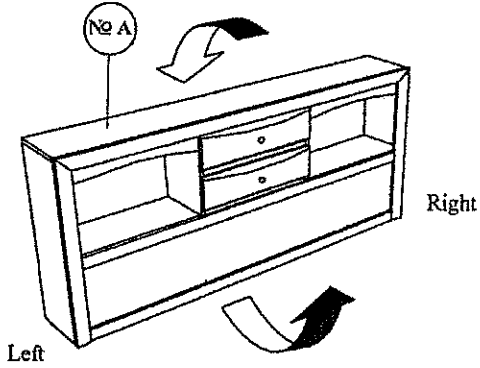


Headboard Assembly Installation

**STEP 01**

Rotate the Headboard (A) down and turn to back.

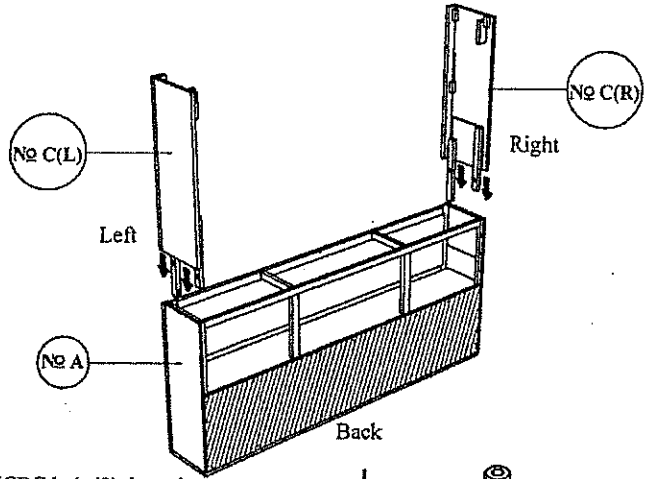
Box 1 : N<sup>o</sup> A



**STEP 02**

Attach and tighten the Headboard Leg L/R (C) to the Headboard (A).

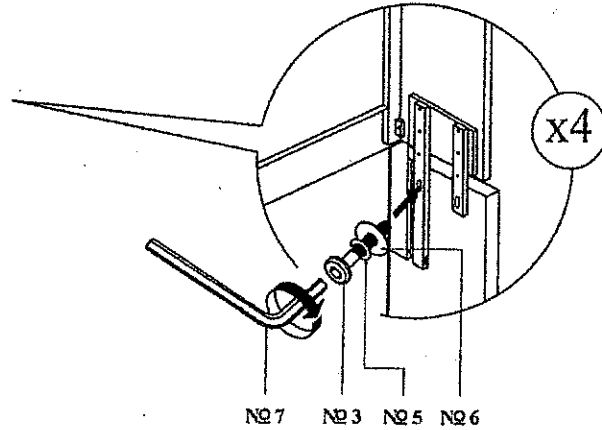
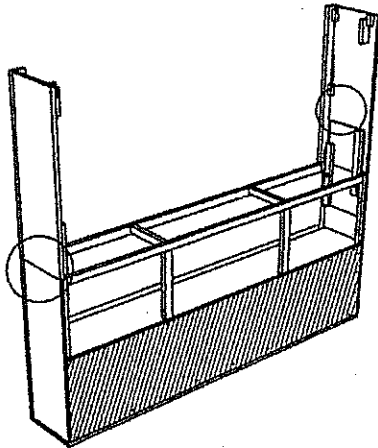
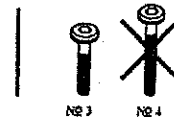
Box 1 : N<sup>o</sup> C(L) + N<sup>o</sup> C(R)



**STEP 03**

Insert Spring washer (5), Flat Washer (6), tighten JCBC bolt (3) by using an Allen Key (7).

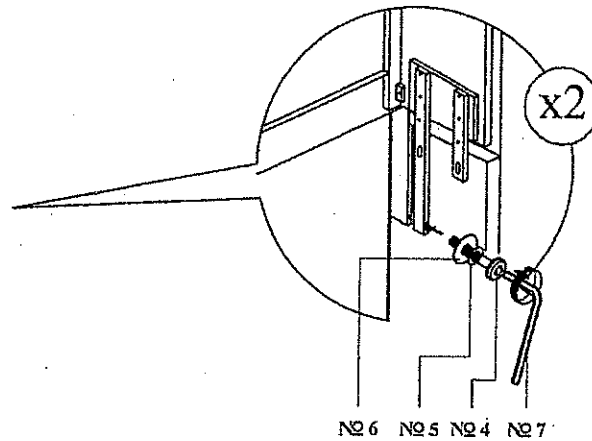
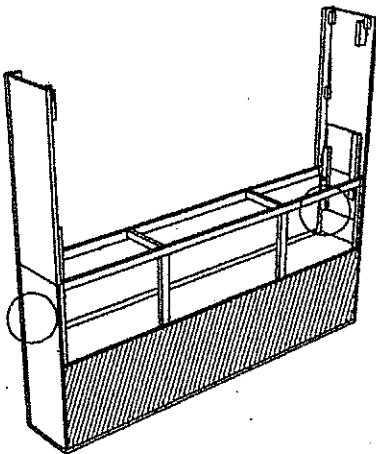
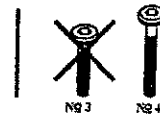
Box 1 : N<sup>o</sup> 3 + N<sup>o</sup> 5 + N<sup>o</sup> 6 + N<sup>o</sup> 7



**STEP 04**

Insert Spring washer (5), Flat Washer (6), tighten JCBC bolt (4) by using an Allen Key (7).

Box 1 : N<sup>o</sup> 4 + N<sup>o</sup> 5 + N<sup>o</sup> 6 + N<sup>o</sup> 7



# A

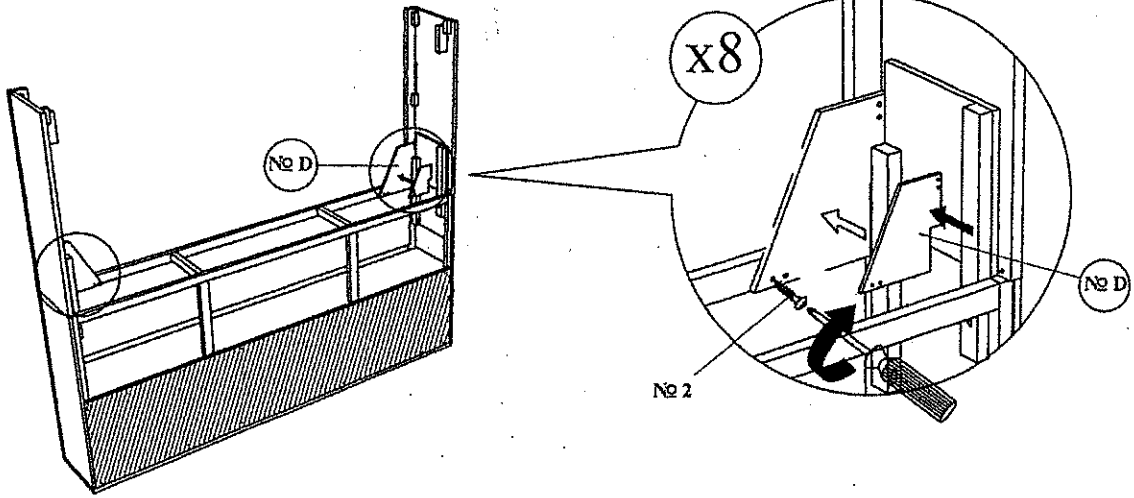
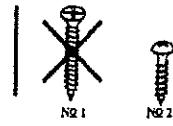


Headboard  
Assembly  
Installation

STEP  
05

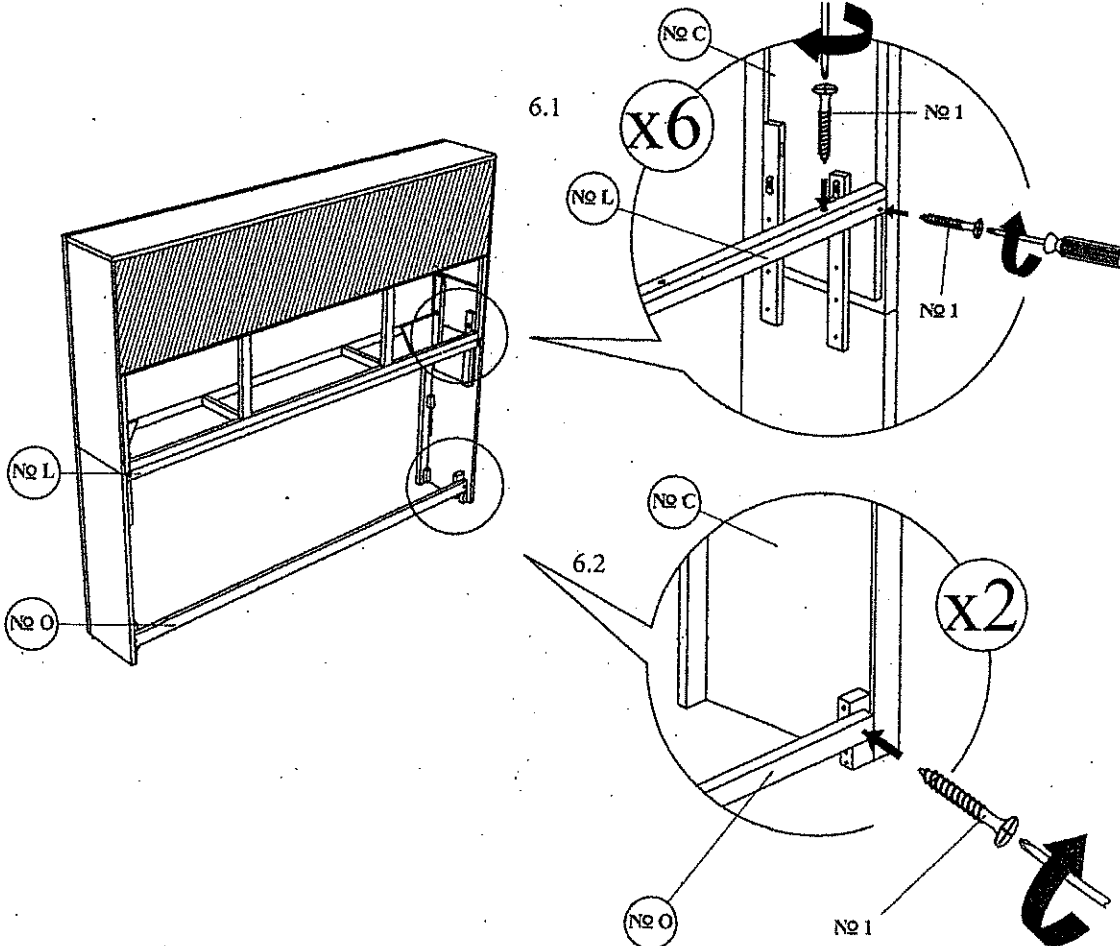
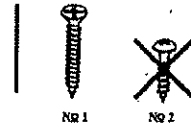
Attach and tighten the triangle Support Panel (D) to the Headboard and tighten the Panhead screw (2) using screw driver. (Not included)

Box 1 : N<sup>o</sup> D + N<sup>o</sup> 2



STEP  
06

Attach Headboard Back Support (L) & (O) as picture shown. Tighten the CSK screw (1) using a screw driver. (Not included)



# B

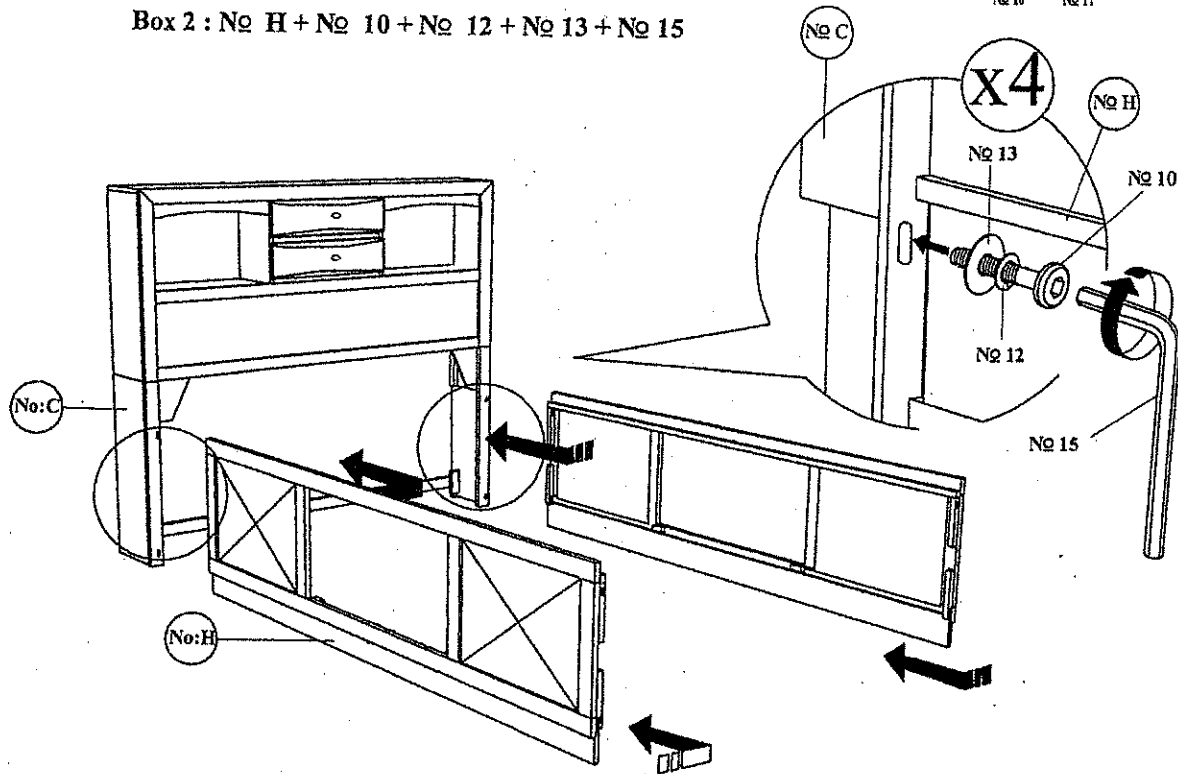
STEP  
07

Attach the Side Rail (H) to the Headboard Leg L/R (C). Insert Spring Washer (12), Flat Washer (13), tighten JCBC (10) using an Allen Key (15).

Box 2 : N<sup>o</sup> H + N<sup>o</sup> 10 + N<sup>o</sup> 12 + N<sup>o</sup> 13 + N<sup>o</sup> 15



Footboard  
Structure  
Assembly  
Installation

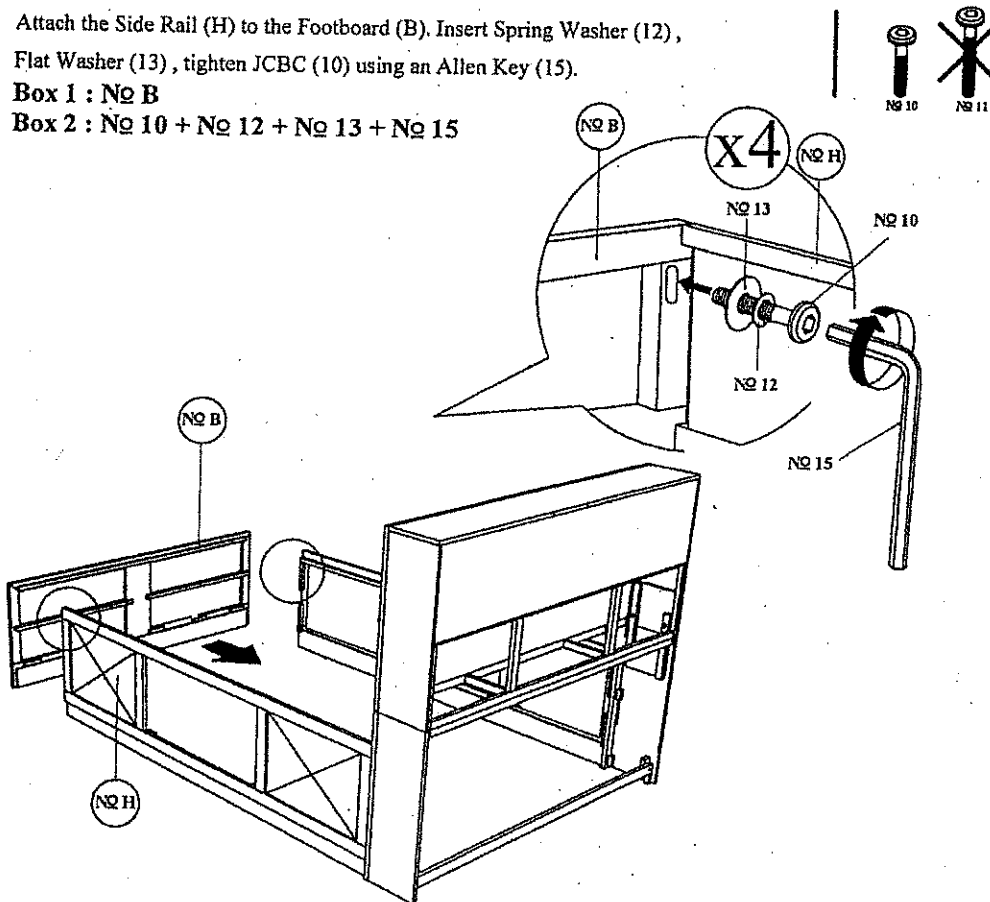


STEP  
08

Attach the Side Rail (H) to the Footboard (B). Insert Spring Washer (12), Flat Washer (13), tighten JCBC (10) using an Allen Key (15).

Box 1 : N<sup>o</sup> B

Box 2 : N<sup>o</sup> 10 + N<sup>o</sup> 12 + N<sup>o</sup> 13 + N<sup>o</sup> 15



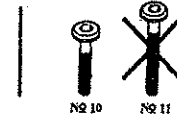
# B

STEP  
09

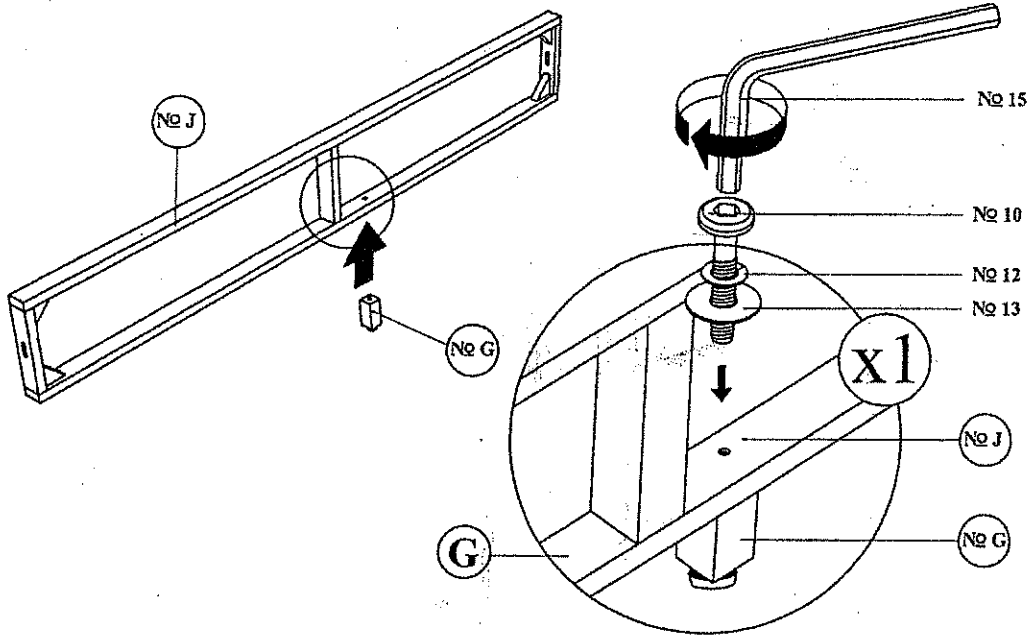
Attach Support Leg (G) to the Footboard Drawer Frame (J). Insert Spring Washer (12), Flat Washer (13), & tighten JCBC (10) using an Allen Key (15).

Box 1 : No G

Box 2 : No J + No 10 + No 12 + No 13 + No 15



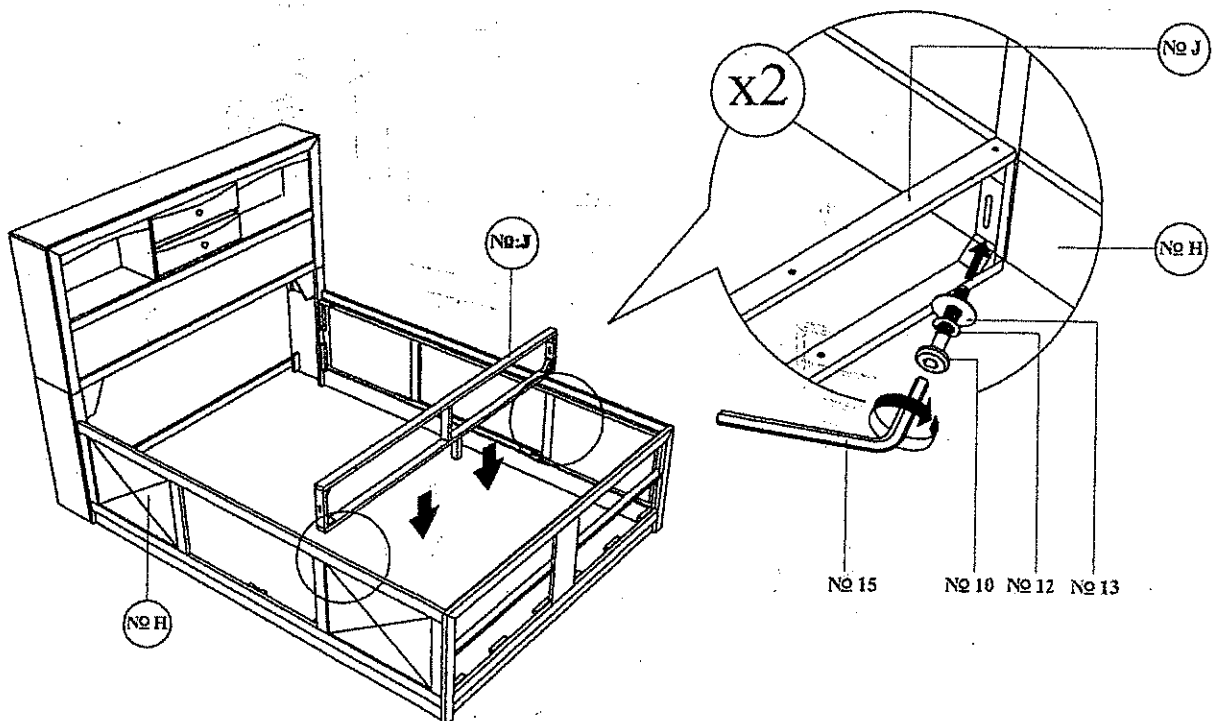
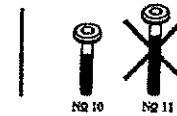
Footboard  
Structure  
Assembly  
Installation



STEP  
10

Attach the Footboard Drawer Frame (J) to the Side Rail (H). Insert Spring Washer (12), Flat Washer (13), tighten JCBC (10) using Allen Key (15).

Box 2 : No 10 + No 12 + No 13 + No 15



# B

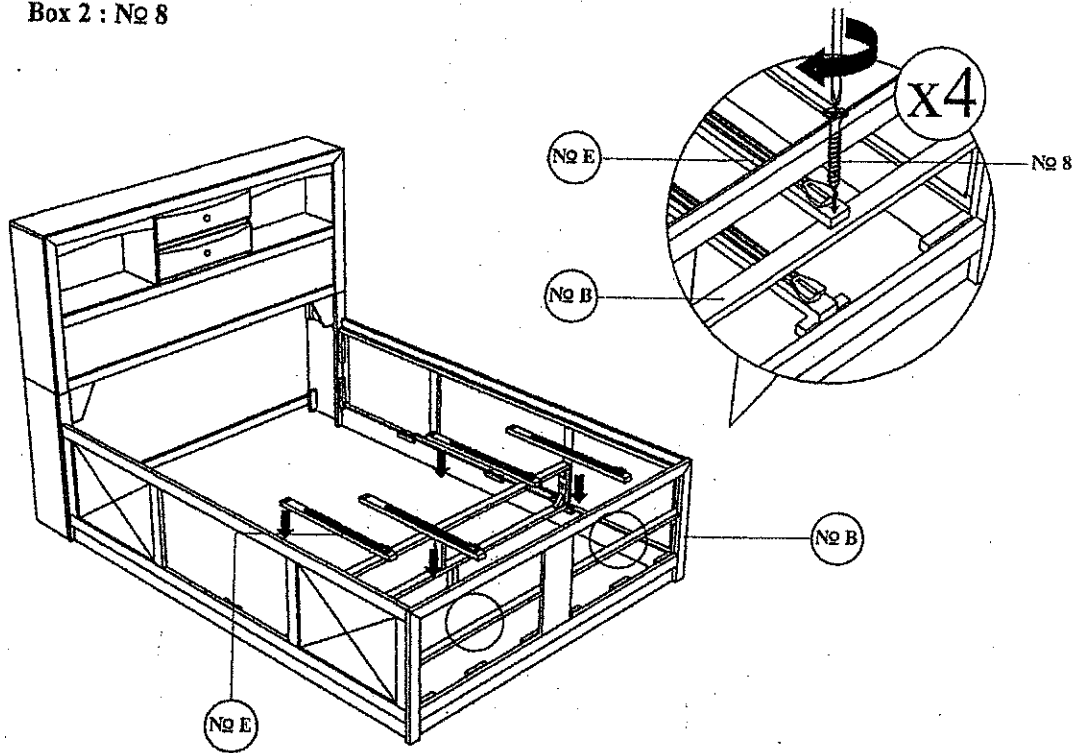
STEP  
11

Attach the Drawer Support Rail (E) to the Footboard (B) using CSK Screw (8) and tighten with Screw Driver. ( Not included)

Box 1 : No E  
Box 2 : No 8



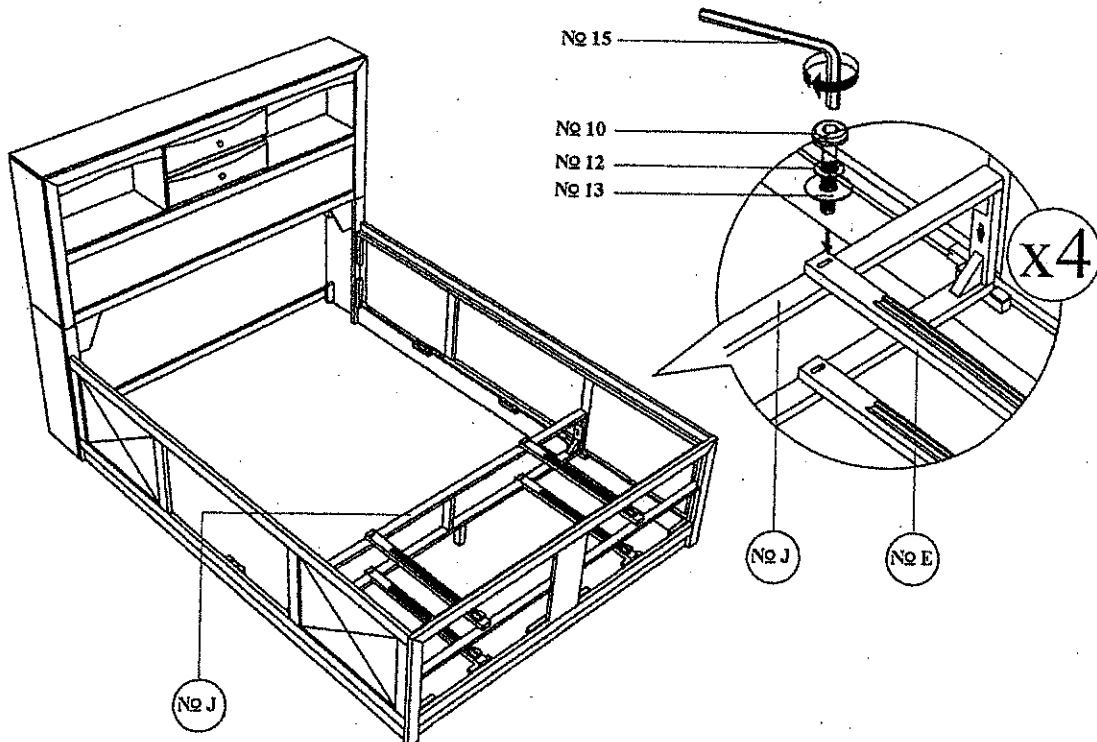
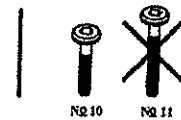
Footboard  
Structure  
Assembly  
Installation



STEP  
12

Attach the Drawer Support Rail (E) to the Footboard Drawer Frame (J). Insert Spring Washer (12), Flat Washer (13) & tighten JCBC Bolt (10) using an Allen Key (15).

Box 2 : No 10 + No 12 + No 13 + No 15



# B

STEP  
13

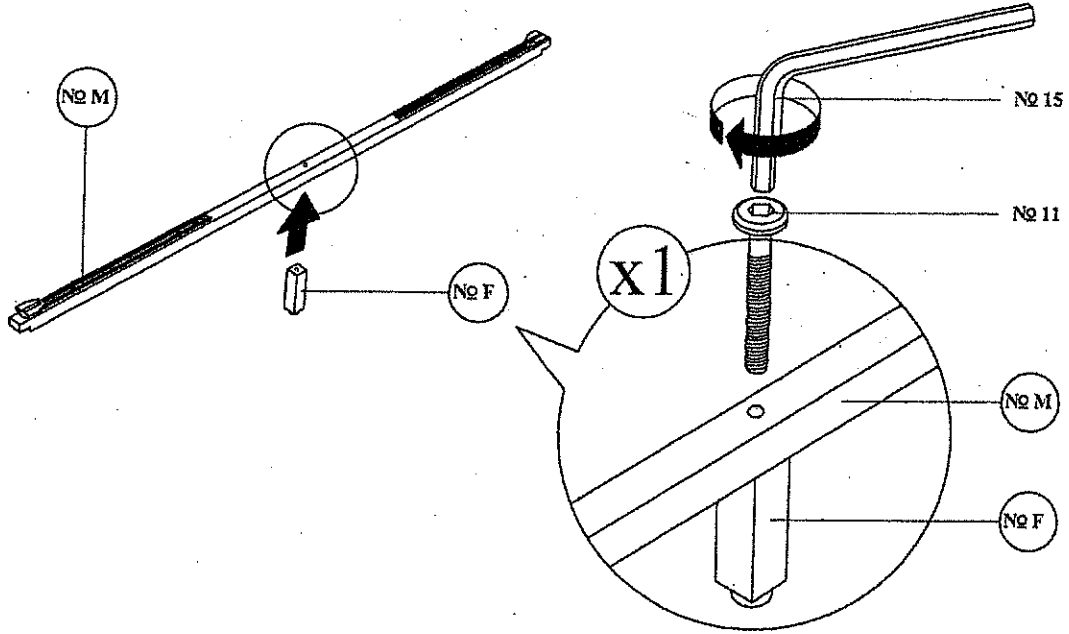
Attach Support Leg 2 (F) to the Drawer support Rail (M). Tighten JCBC Bolt (11) using an Allen Key (15)

Box 1 : N<sup>o</sup> F

Box 2 : N<sup>o</sup> M + N<sup>o</sup> 11 + N 15



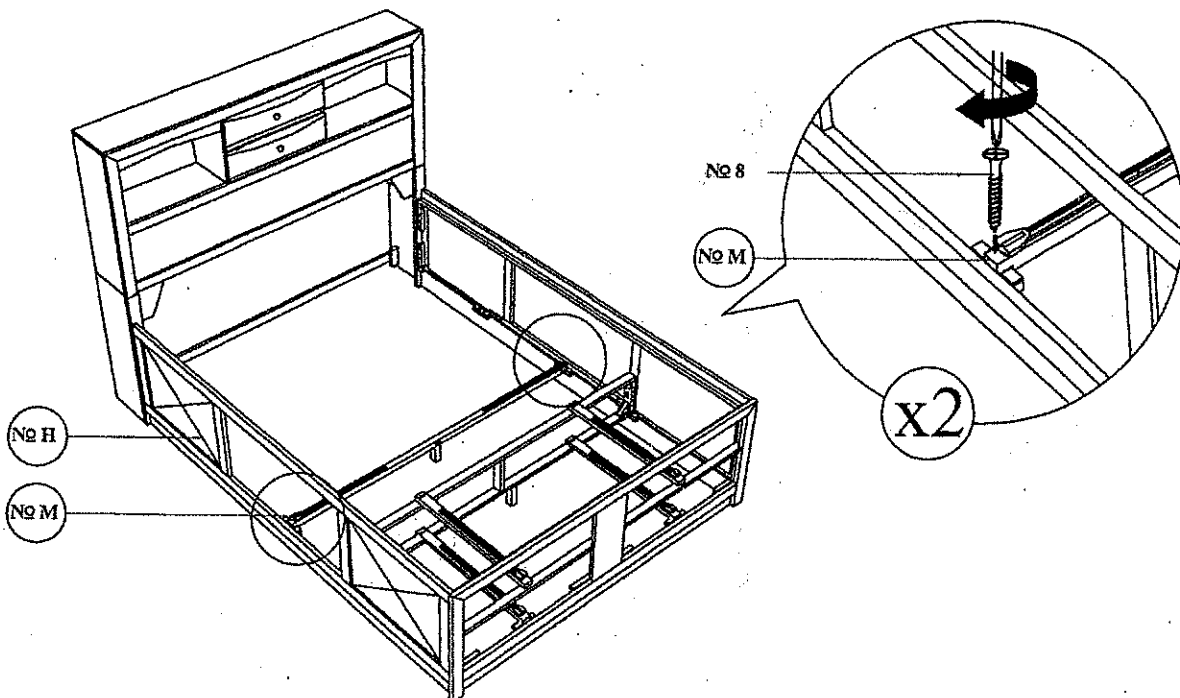
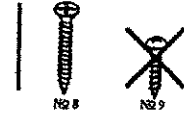
Footboard  
Structure  
Assembly  
Installation



STEP  
14

Attach Drawer Support Rail (M) to the Side Rail (H) using CSK Screw (8) and tighten with Screw Driver. ( Not included)

Box 2 : N<sup>o</sup> 8





# B

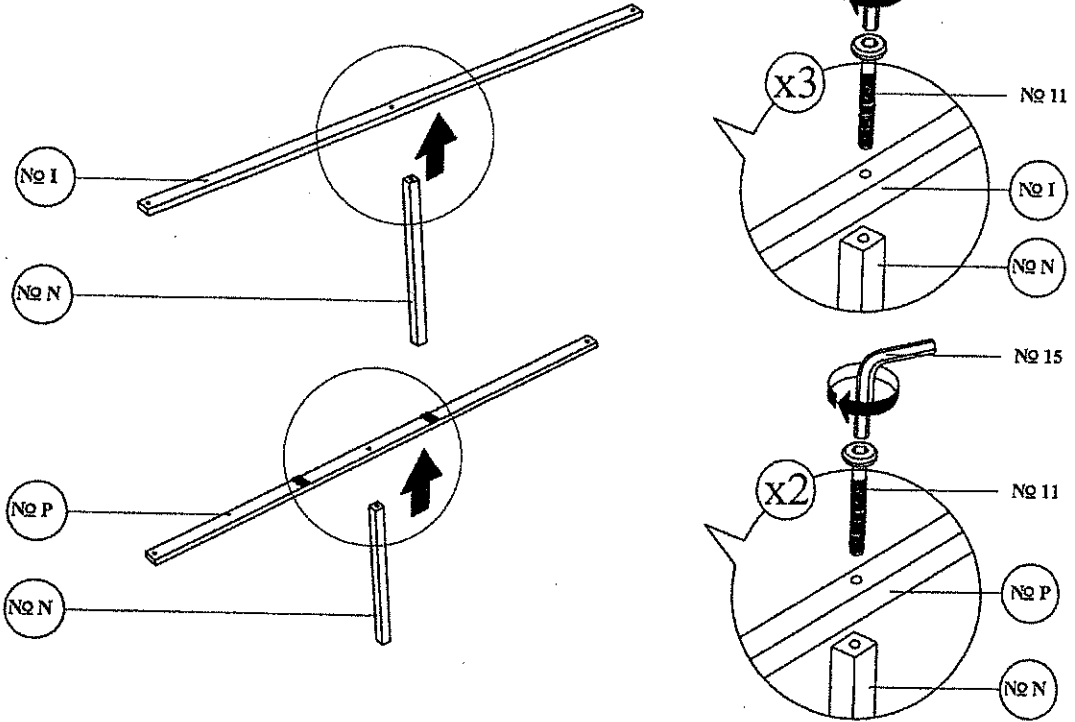
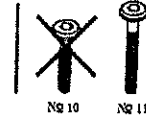


Footboard  
Structure  
Assembly  
Installation

STEP  
15

Attach Bed Slat (I) & (P) to the Bed Slat Support (N). Tighten JCBC Bolt (11) using an Allen Key (15). (Loosen and tighten the Adjuster to stability of bed)

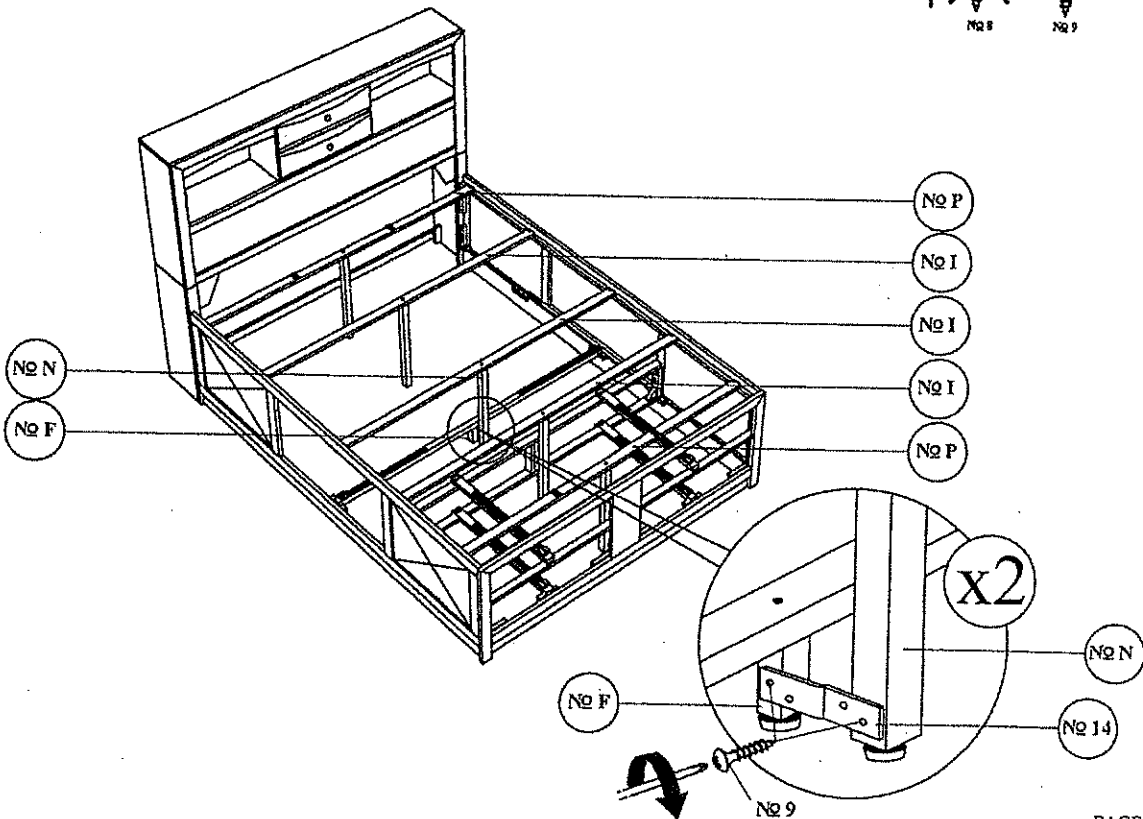
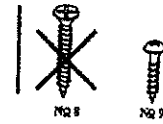
Box 2 : No I + No N + No O + No P + No 11 + No 15



STEP  
16

Attach Z-Bracket (14) to the Bed Slat Support (N) and Support Leg 2 (F). Use Panhead Screw (9) and tighten with Screw Driver. (Not included)

Box 2 : No 9 + No 14



# C

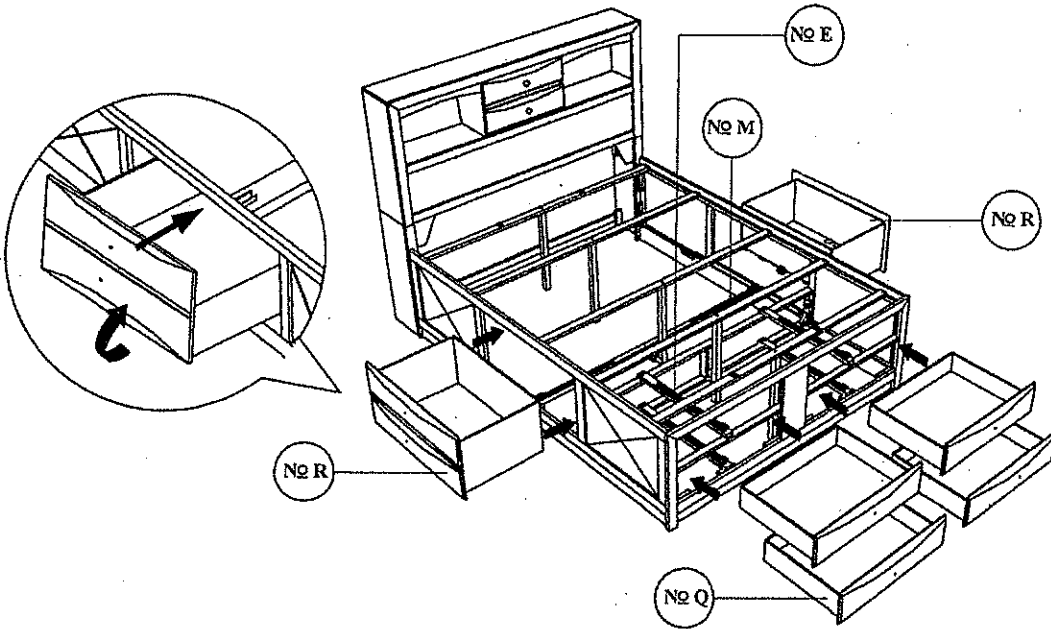
STEP  
17

Slide Drawer - 2 (R) into position over Draer Support Rail -1 (M). Then slide Drawer - 1 (Q) into position over Drawer Support Rail - 2 (E). Adjust the adjuster for alignment of drawer box.

Box 3 : N<sub>o</sub> Q + N<sub>o</sub> R



Conceal Panel & Drawer Assembly Installation



STEP  
18

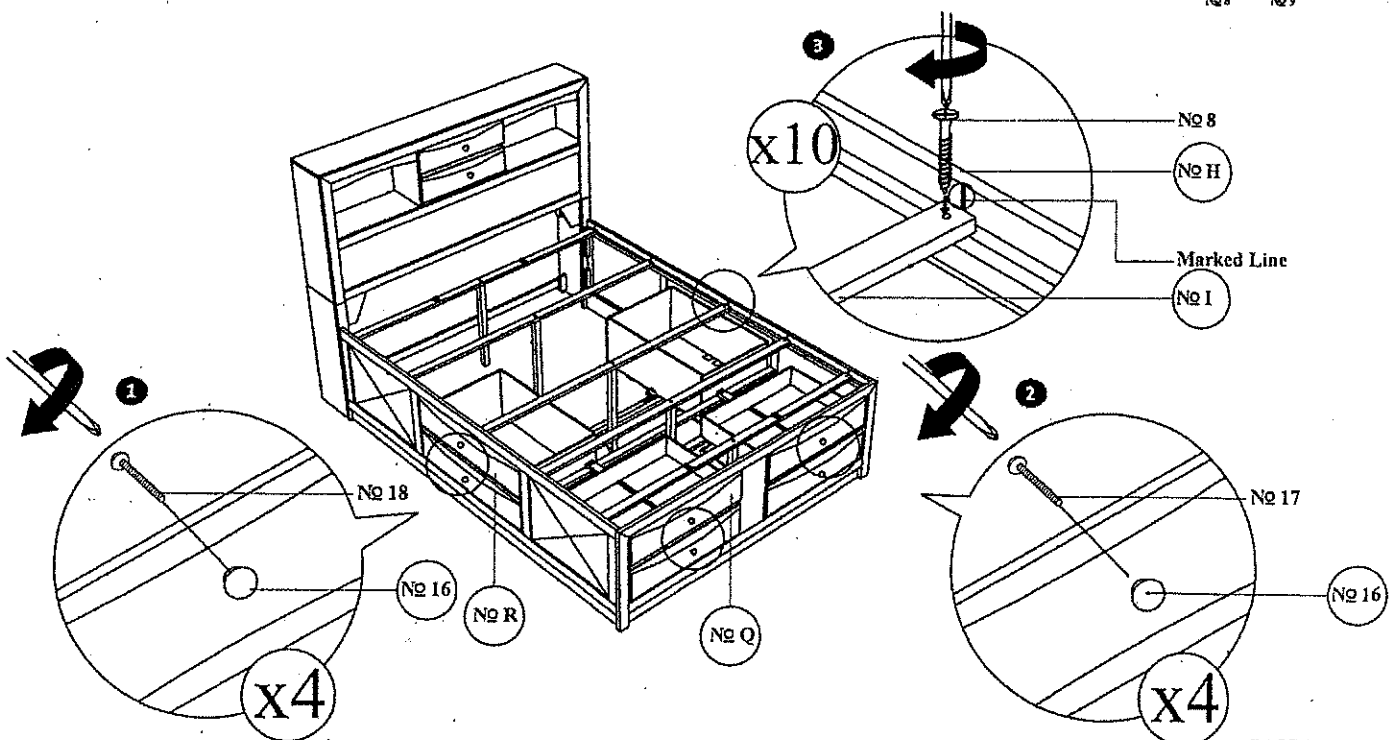
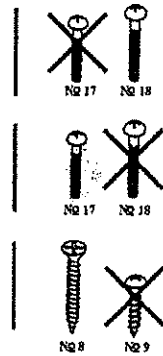
Install the handle (16) in the front of drawer (R). Tighten the Handle Screw (18) using Screw Driver. (Not included)

Install the Handle (16) in front of drawer (Q). Tighten the Handle Screw (17) using Screw Driver. (Not included)

Then Push together the Slide Rail (H) with Bed Slat (I) & tighten with CSK Screw (8) by using Screw Driver. (Make sure the center of Bed Slat (I) is aligned with the marked line as shown).

Box 2 : N<sub>o</sub> 8

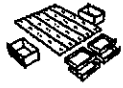
Box 3 : N<sub>o</sub> 16 + N<sub>o</sub> 17 + N<sub>o</sub> 18



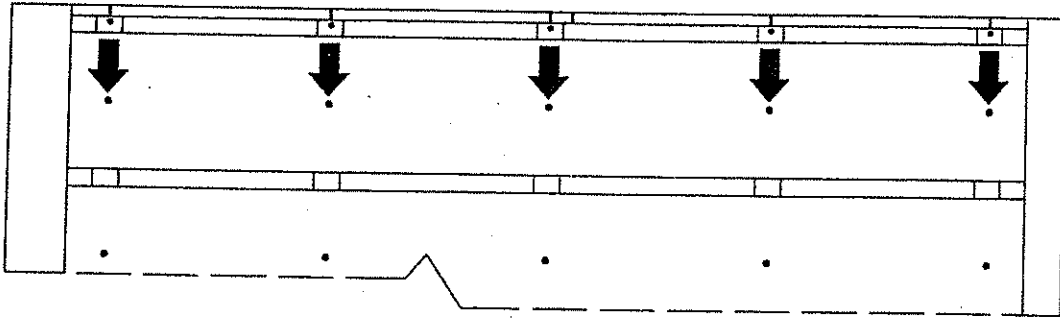
# C

STEP  
19

Attention! Screw on this markings on concealed panel slat (K).

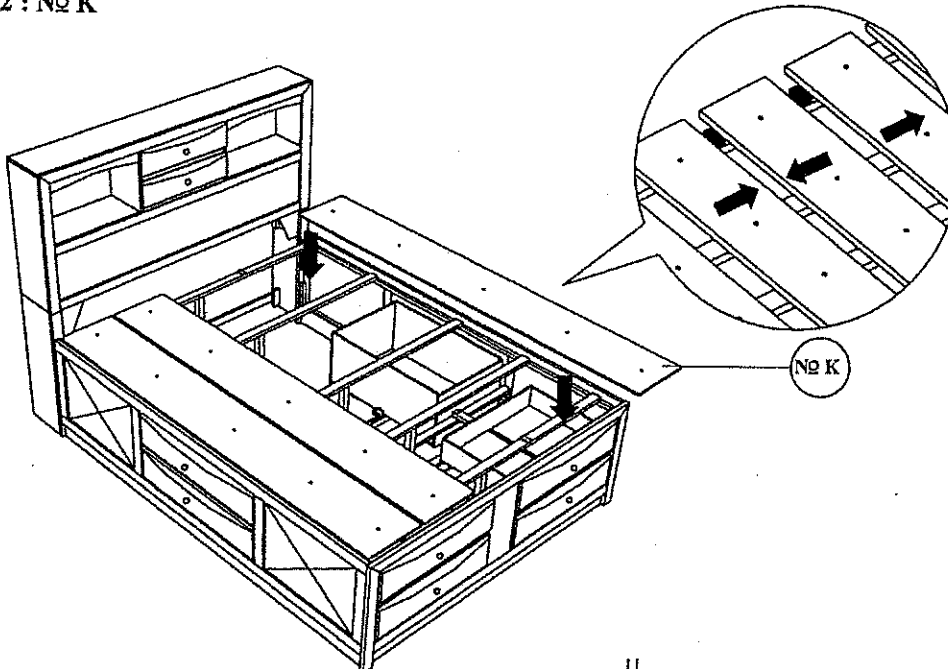


Conceal  
Panel & Drawer  
Assembly  
Installation



STEP  
20

Realign the Concealed Panel Slat (K) as shown.  
Box 2 : NQ K



STEP  
21

Attach Concealed Panel (K) over the Bed Slat (I) using Panhead  
Screw (9) and tighten with Screw Driver. ( Not included)  
Box 2 : NQ 9

