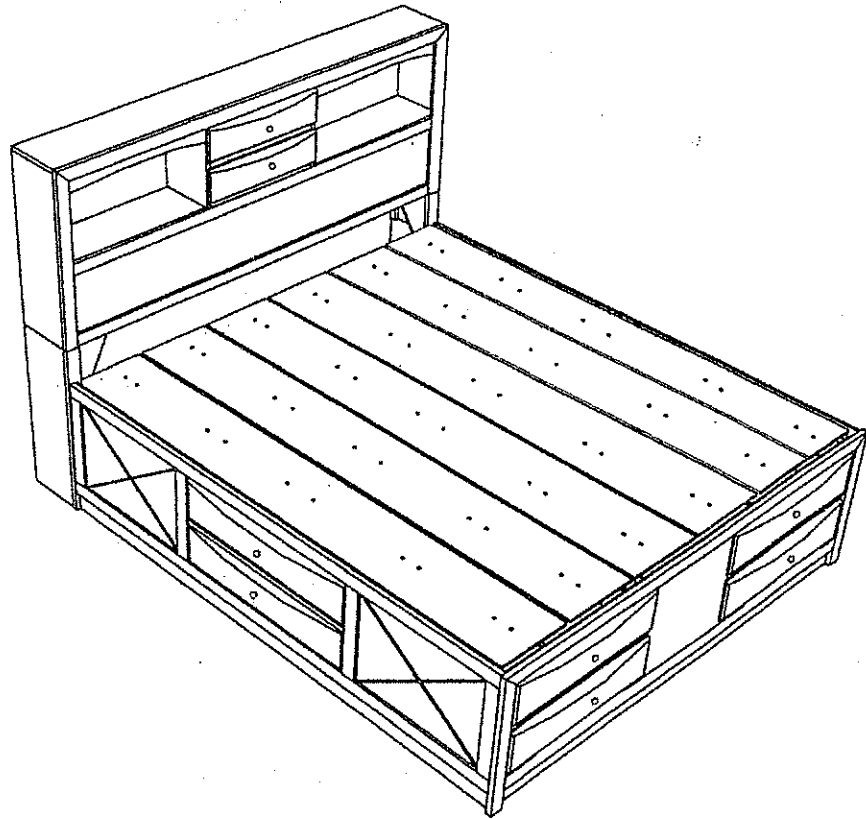


King Storage Bed

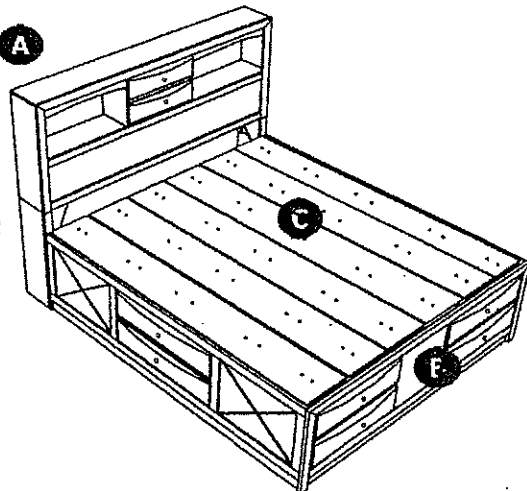
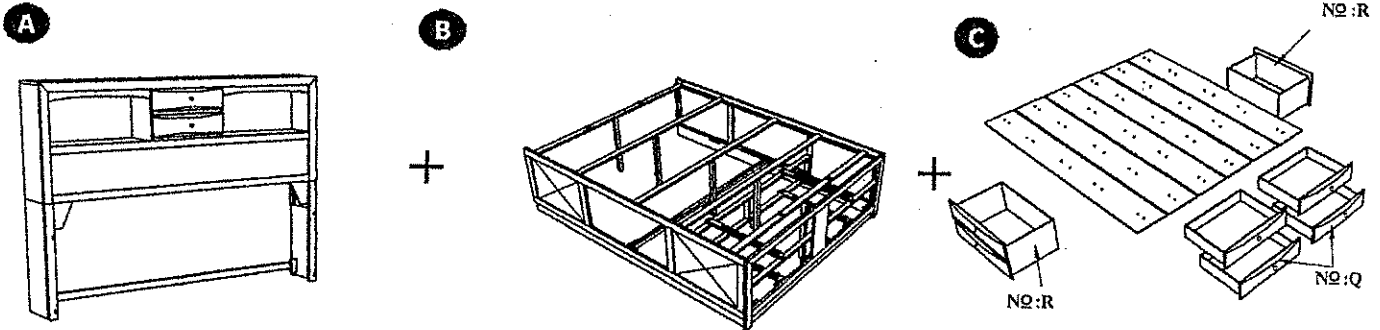
MODEL
0016J

Assembly Installation Guide

DESCRIPTION:
King Headboard
King Footboard
King Side Rails
King Slat & Support Legs
Storage Drawer



INSTALLATION AREA



Caution : Please read instructions thoroughly before unpacking assembly parts. Sharp, exposed staple tips can cause injury, therefore, for your protection, please remove any exposed staples used in packing.

1. We recommend that you should assemble this product with the assistance of another person ; this will make assembly easier, and will help to eliminate damage to the product or injury to persons during assembly.
2. Be sure to check all packing materials carefully for small parts that may have come loose inside the carton during shipment.
3. Please do not over tighten screws or bolts.
4. Please put all parts on a non - abrasive floor before assembly, and follow the assembly step to assemble your newly purchased product correctly and efficiently .

Drawer NO:Q & NO:R are identical & compatible, to each other regardless left or right.

During assembly, do not tighten any hardware until the complete unit has been assembled.



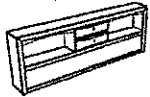
2 PERSON
installation recommended



20 - 25
minutes for installation

BOX 1

Box of Headboard & Footboard



NO A

Headboard x 1
255 x 1420 x 1997 mm



NO C(L)

Headboard Leg (L) x 1



NO E

Drawer Support Rail 2 x 4
20 x 40 x 633mm



NO B

Footboard x 1
42 x 570 x 1995mm



NO C(R)

Headboard Leg (R) x 1



NO F

Support Leg 2 x 1
30 x 30 x 95mm



NO A1

Headboard Drawer x 2



NO D

Triangle Support Panel x 2
9 x 200 x 200



NO G

Support Leg 3 x 1
30 x 30 x 107mm

Hardware List



NO 1

Flat Head Chipboard
Screw x 9
m4 x 32mm RBW



NO 2

Pan Head Chipboard
Screw x 8
m3.5 x 20mm BLK



NO 3

JCBC Bolt x 4
m6 x 35mm
BLK



NO 4

JCBC Bolt x 2
m6 x 50mm
BLK



NO 5

Spring Washer x 6
1/4" RBW



NO 6

Flat Washer x 6
1/4" ID x 13mm OD
BLK

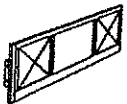


NO 7

Allen Key x 1
m4 x 110mm BLK

BOX 2

Box of Side rail



NO H

Side Rail x 2
39 x 570 x 2060mm



NO I

Bed Slat x 3
18 x 45 x 1951mm



NO J

F/Board Drawer Frame x 1
40 x 220 x 1951mm



NO K

Concealed Panel x 6
9 x 295 x 2040mm



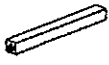
NO L

H/Board Back Support 1
x 1
19 x 30 x 1965mm



NO M

Drawer Support Rail x 1
30 x 30 x 1951mm



NO N

Support Leg 1 x 5
30 x 30 x 518mm



NO O

H/Board Back Support 2 x 1
18 x 45 x 1965mm



NO P

Bed Slat With Marking x 2
18 x 45 x 1951mm

Hardware List



NO 8

Flat Head Chipboard
Screw x 16
m4 x 32mm RBW



NO 9

Pan Head Chipboard
Screw x 32
m3.5 x 20mm BLK



NO 10

JCBC Bolt x 15
m6 x 35mm
BLK



NO 11

JCBC Bolt x 6
m6 x 50mm
BLK



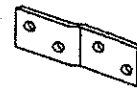
NO 12

Spring Washer x 15
1/4" RBW



NO 13

Flat Washer x 15
1/4" ID x 13mm OD
BLK



NO 14

Z-Bracket x 1



NO 15

Allen Key x 1
m4 x 110mm BLK

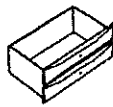
BOX 3 & 4

Box of Parts & Hardware



NO Q

Drawer 1 x 4



NO R

Drawer 2 x 2



NO 16

Handle x 8



NO 17

Truss Head M.
Screw Handle x 4
m4 x 48mm BLK



NO 18

Truss Head M.
Screw Handle x 4
m4 x 50mm BLK

A

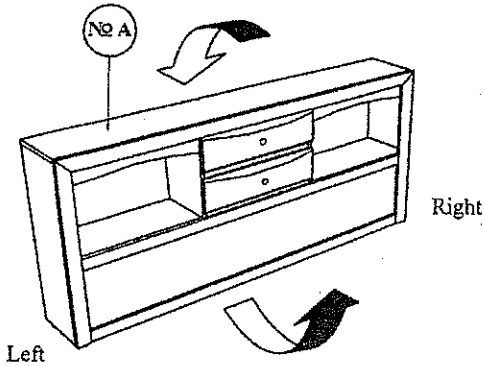


Headboard Assembly Installation

STEP 01

Rotate the Headboard (A) down and turn to back.

Box 1 : N° A

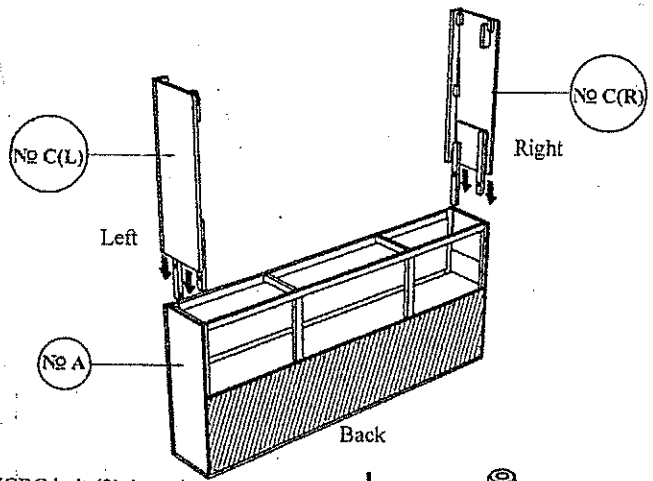


STEP 02

Attach and tighten the Headboard Leg

L/R (C) to the Headboard (A).

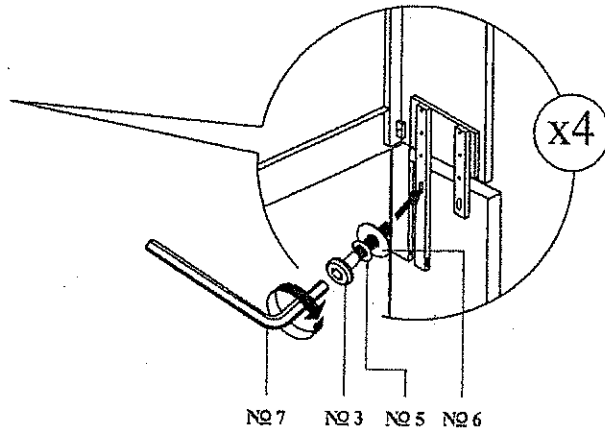
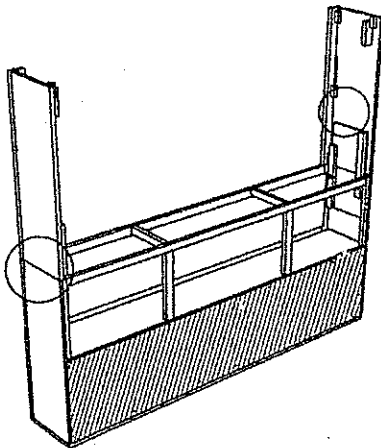
Box 1 : N° C(L) + N° C(R)



STEP 03

Insert Spring washer (5), Flat Washer (6), tighten JCBC bolt (3) by using an Allen Key (7).

Box 1 : N° 3 + N° 5 + N° 6 + N° 7



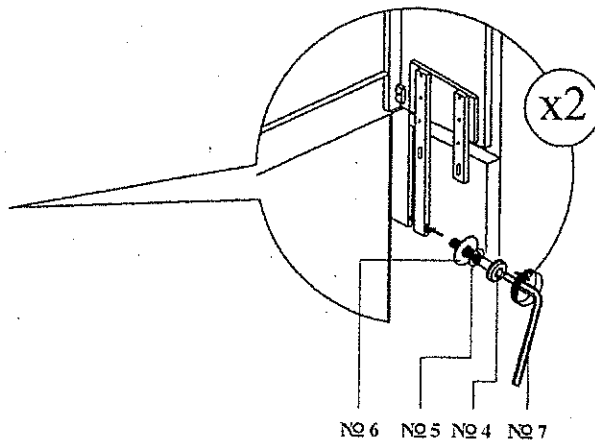
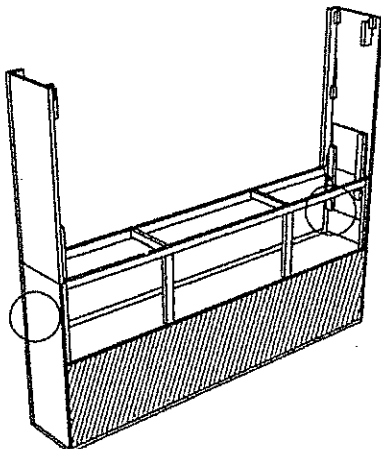
N° 3

N° 4

STEP 04

Insert Spring washer (5), Flat Washer (6), tighten JCBC bolt (4) by using an Allen Key (7).

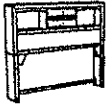
Box 1 : N° 4 + N° 5 + N° 6 + N° 7



N° 3

N° 4

A

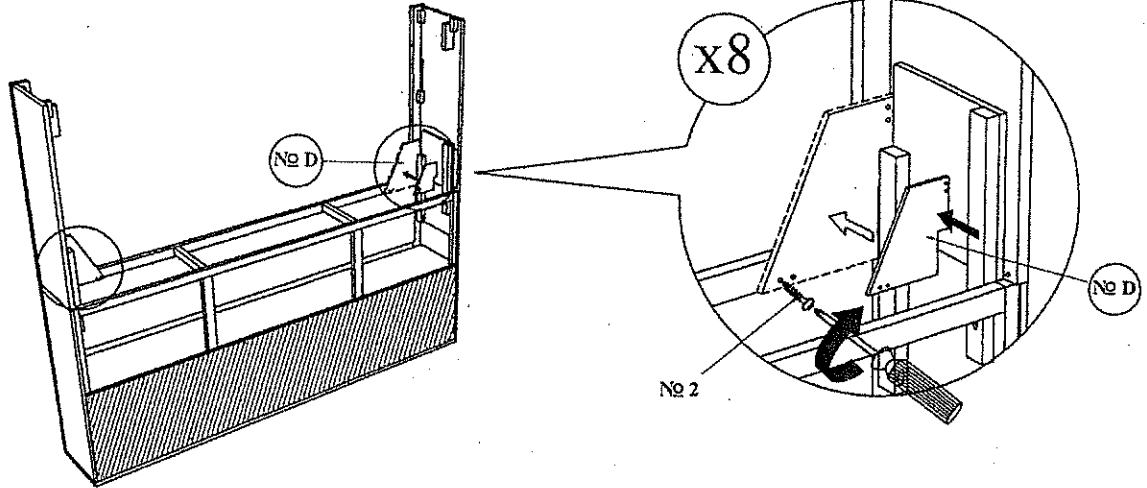
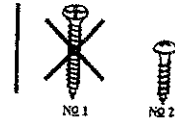


Headboard
Assembly
Installation

STEP
05

Attach and tighten the triangle Support Panel (D) to the Headboard and tighten the Panhead screw (2) using screw driver. (Not included)

Box 1 : N^o D + N^o 2

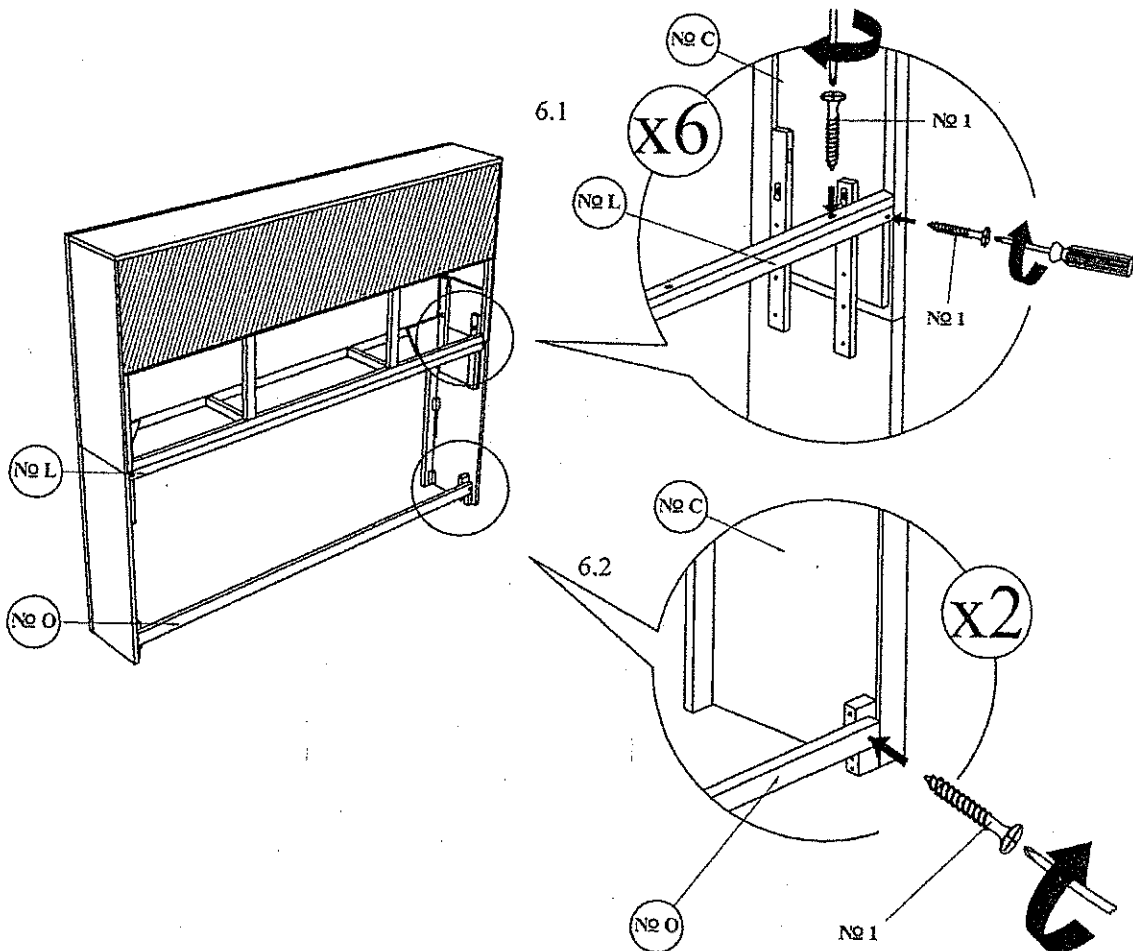
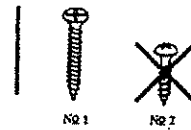


STEP
06

Attach Headboard Back Support (L) & (O) as picture shown. Tighten the CSK screw (1) using a screw driver. (Not included)

Box 1 : N^o 1

Box 2 : N^o L + N^o O



B

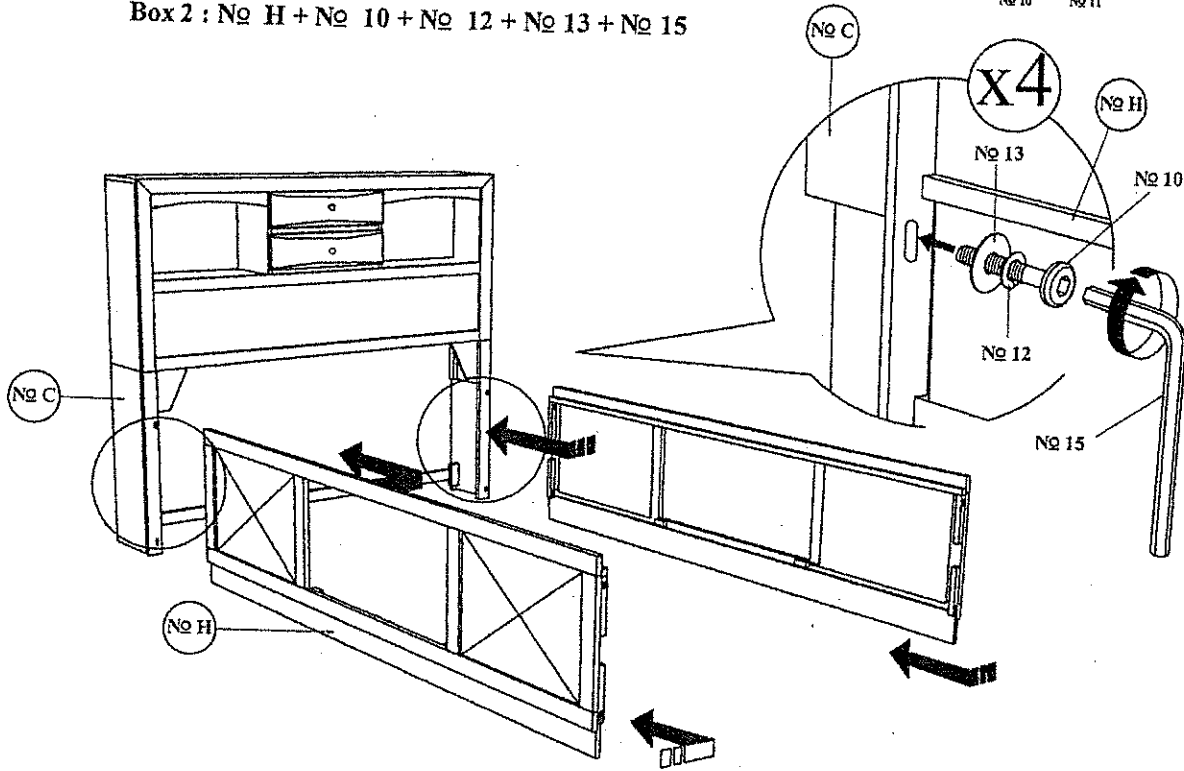
STEP
07

Attach the Side Rail (H) to the Headboard Leg L/R (C). Insert Spring Washer (12), Flat Washer (13), tighten JCBC (10) using an Allen Key (15).

Box 2 : N^o H + N^o 10 + N^o 12 + N^o 13 + N^o 15



Footboard
Structure
Assembly
Installation

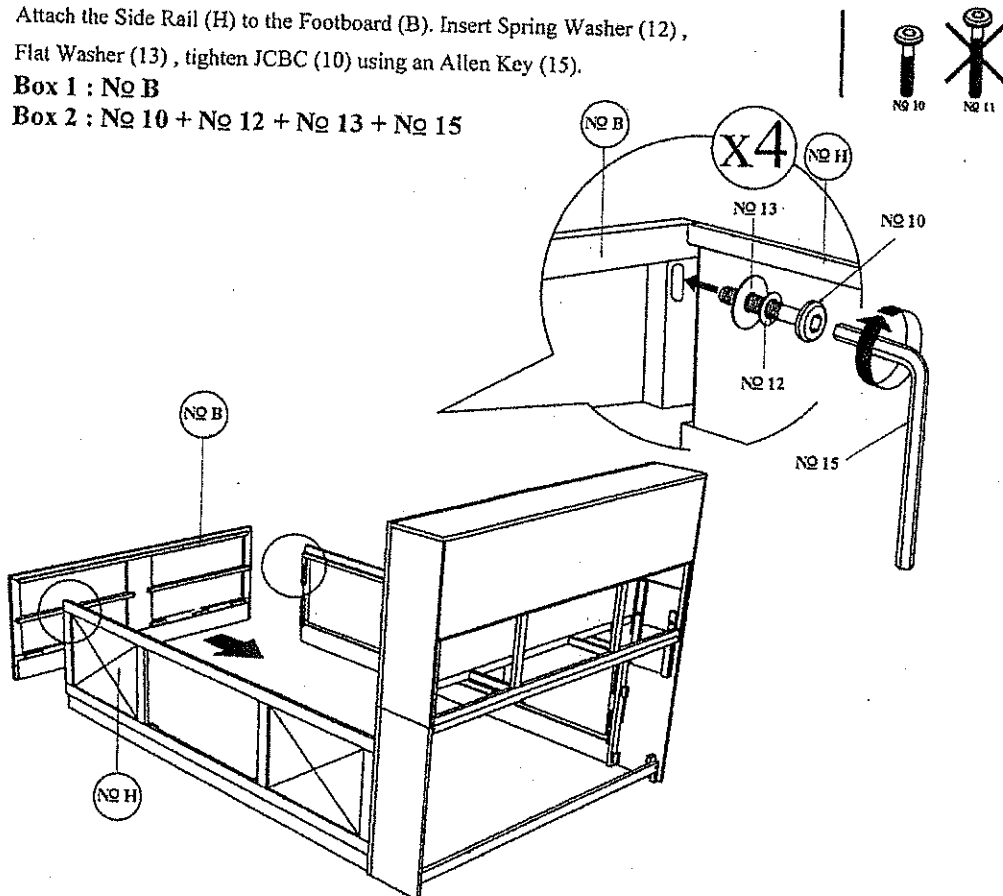


STEP
08

Attach the Side Rail (H) to the Footboard (B). Insert Spring Washer (12), Flat Washer (13), tighten JCBC (10) using an Allen Key (15).

Box 1 : N^o B

Box 2 : N^o 10 + N^o 12 + N^o 13 + N^o 15



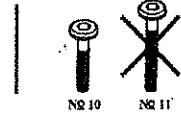
B

STEP
09

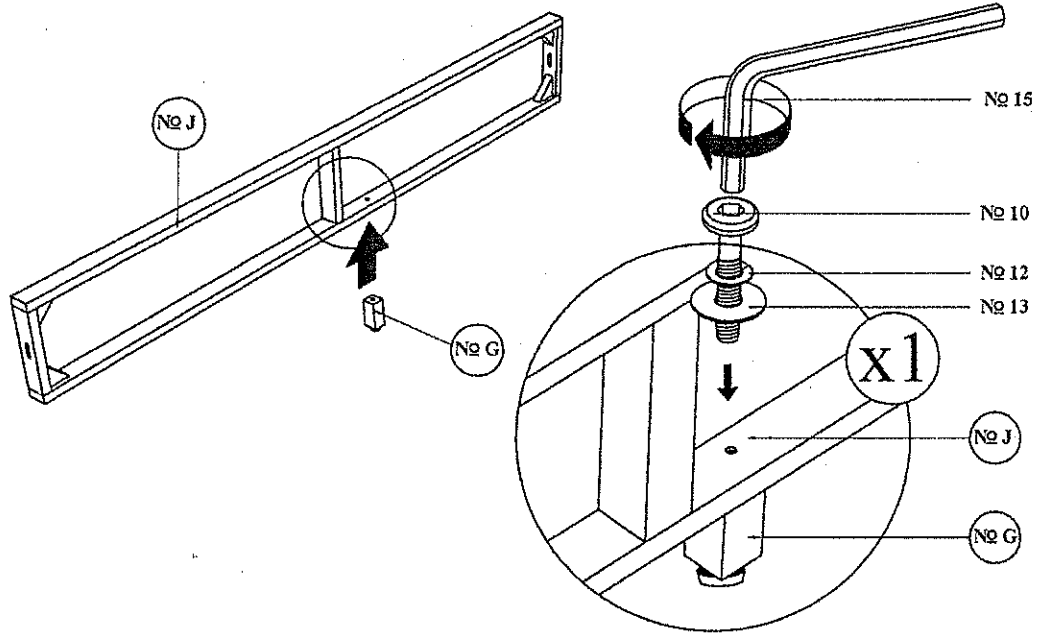
Attach Support Leg (G) to the Footboard Drawer Frame (J). Insert Spring Washer (12), Flat Washer (13), & tighten JCBC (10) using an Allen Key (15).

Box 1 : N^o G

Box 2 : N^o J + N^o 10 + N^o 12 + N^o 13 + N^o 15



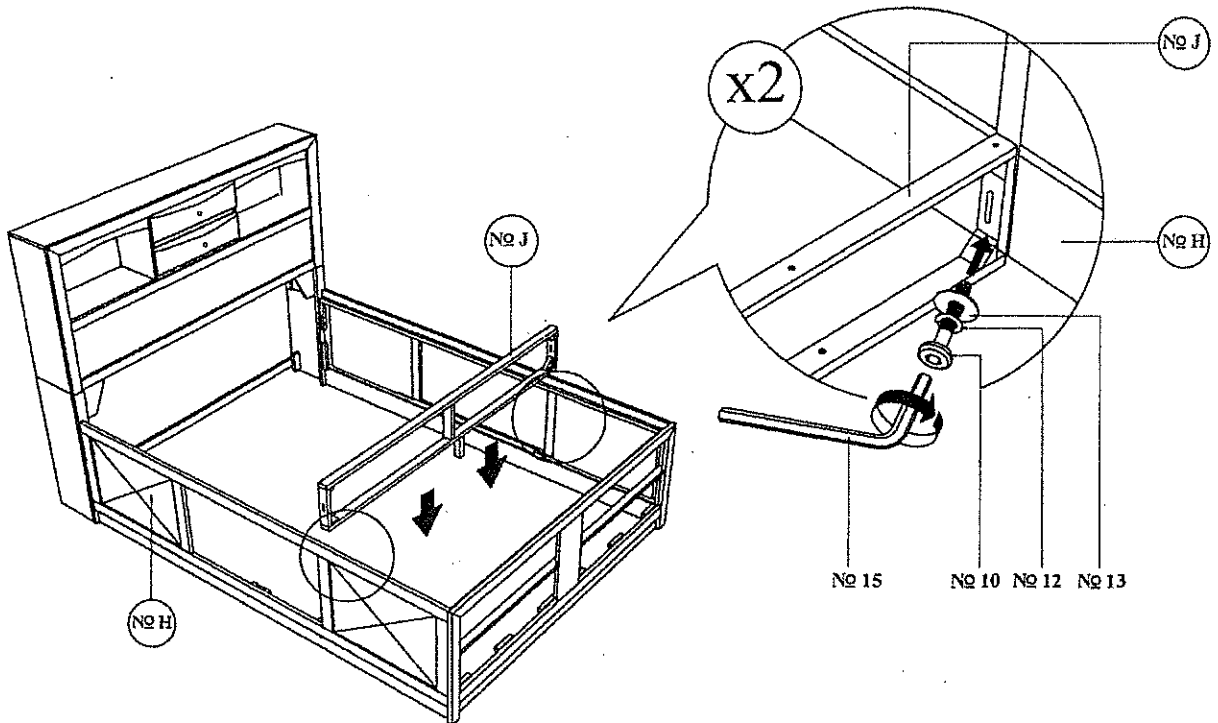
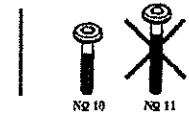
Footboard
Structure
Assembly
Installation



STEP
10

Attach the Footboard Drawer Frame (J) to the Side Rail (H). Insert Spring Washer (12), Flat Washer (13), tighten JCBC (10) using Allen Key (15).

Box 2 : N^o 10 + N^o 12 + N^o 13 + N^o 15



B

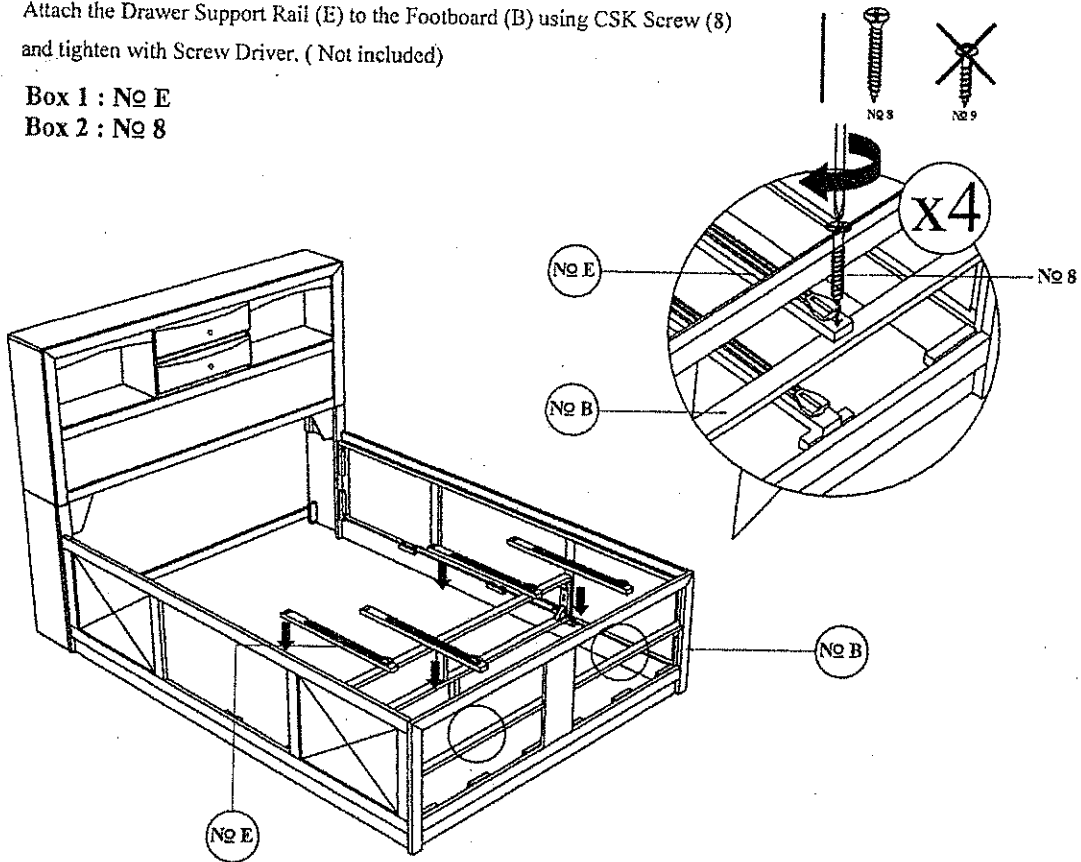
STEP
11

Attach the Drawer Support Rail (E) to the Footboard (B) using CSK Screw (8) and tighten with Screw Driver. (Not included)

Box 1 : No E
Box 2 : No 8



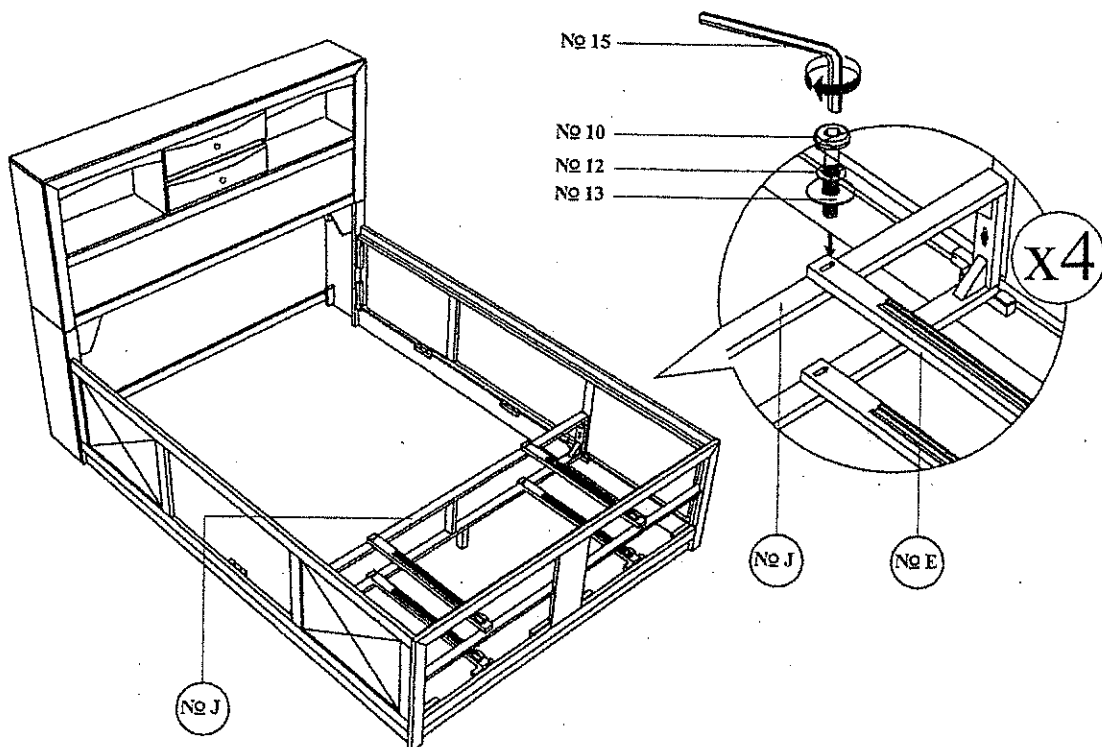
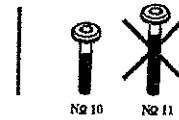
Footboard
Structure
Assembly
Installation



STEP
12

Attach the Drawer Support Rail (E) to the Footboard Drawer Frame (J). Insert Spring Washer (12), Flat Washer (13) & tighten JCBC Bolt (10) using an Allen Key (15).

Box 2 : No 10 + No 12 + No 13 + No 15

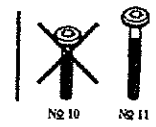


B

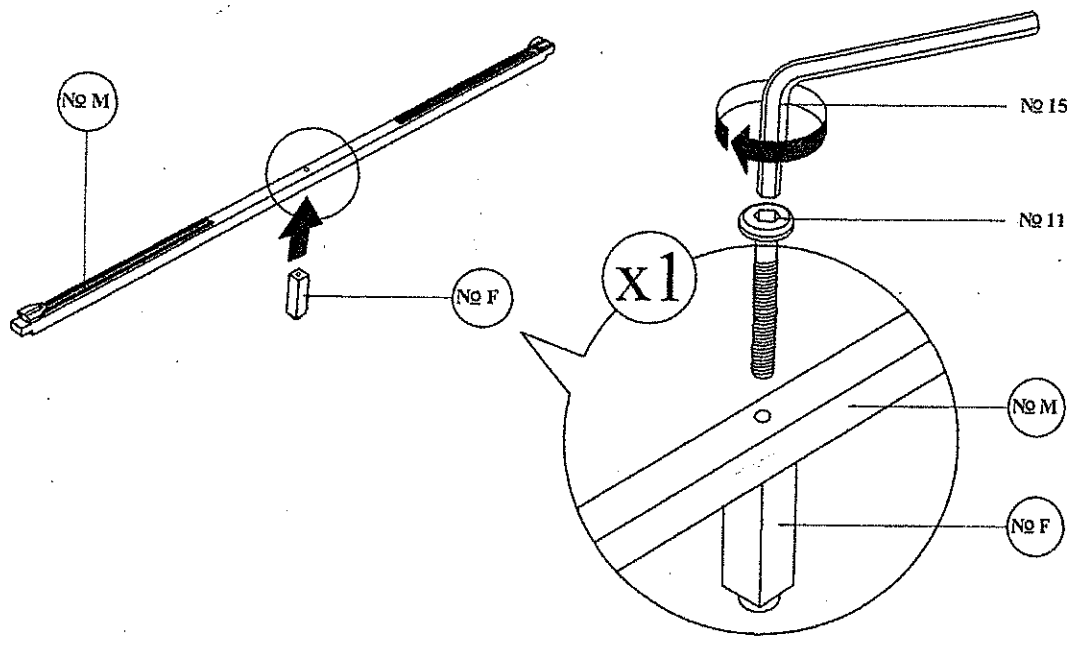
STEP
13

Attach Support Leg 2 (F) to the Drawer support Rail (M). Tighten JCBC Bolt (11) using an Allen Key (15)

Box 1 : N^o F
Box 2 : N^o M + N^o 11 + N^o 15



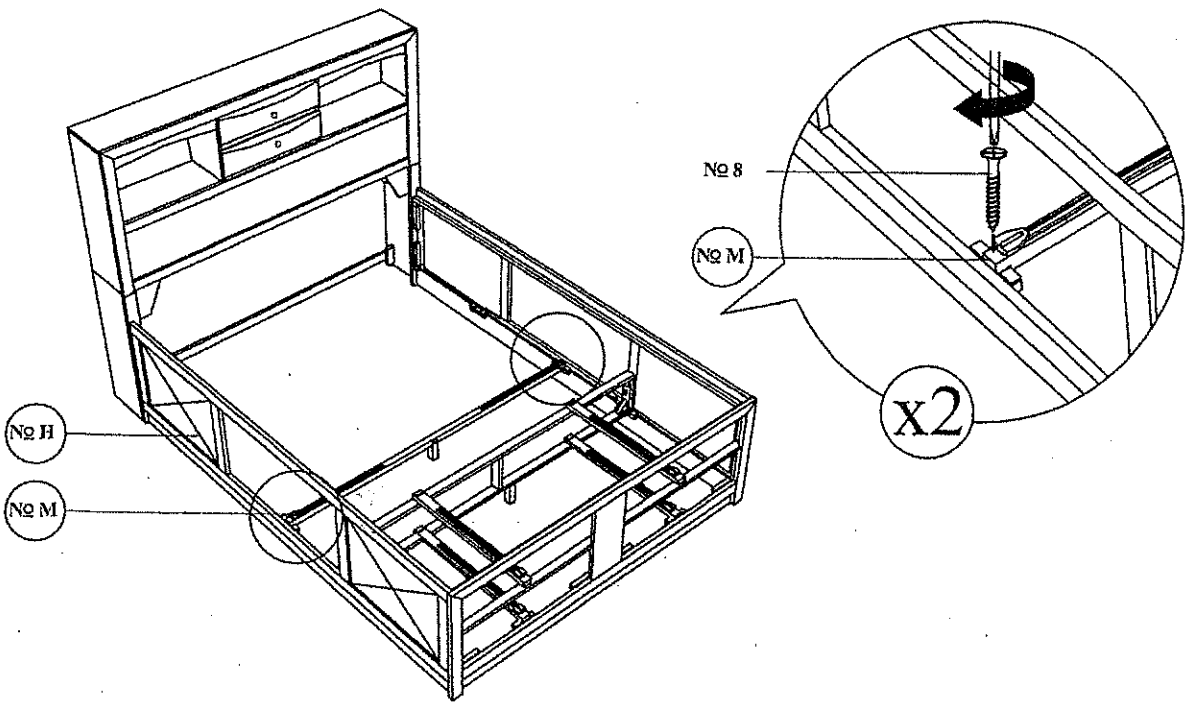
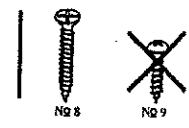
Footboard
Structure
Assembly
Installation



STEP
14

Attach Drawer Support Rail (M) to the Side Rail (H) using CSK Screw (8) and tighten with Screw Driver. (Not included)

Box 2 : N^o 8



B

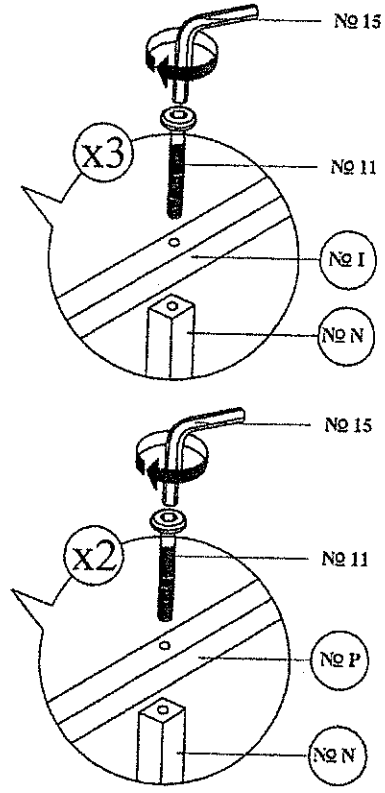
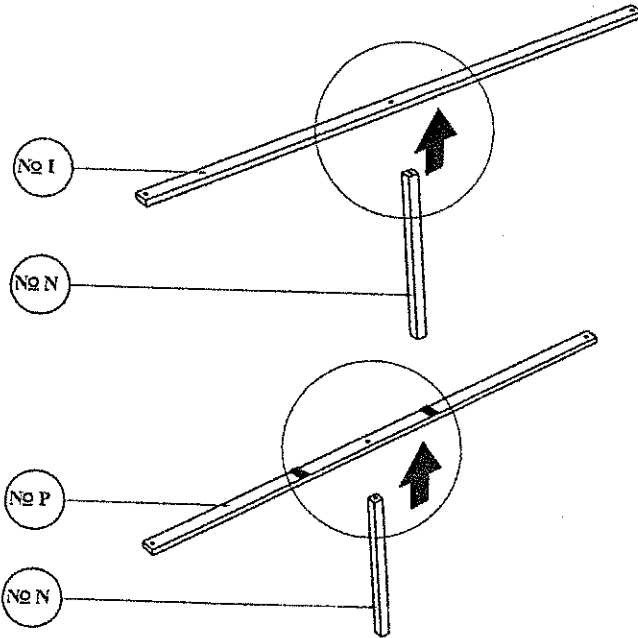
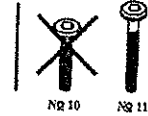


Footboard
Structure
Assembly
Installation

STEP 15

Attach Bed Slat (I) & (P) to the Bed Slat Support (N). Tighten JCBC Bolt (11) using an Allen Key (15). (Loosen and tighten the Adjuster to stability of bed)

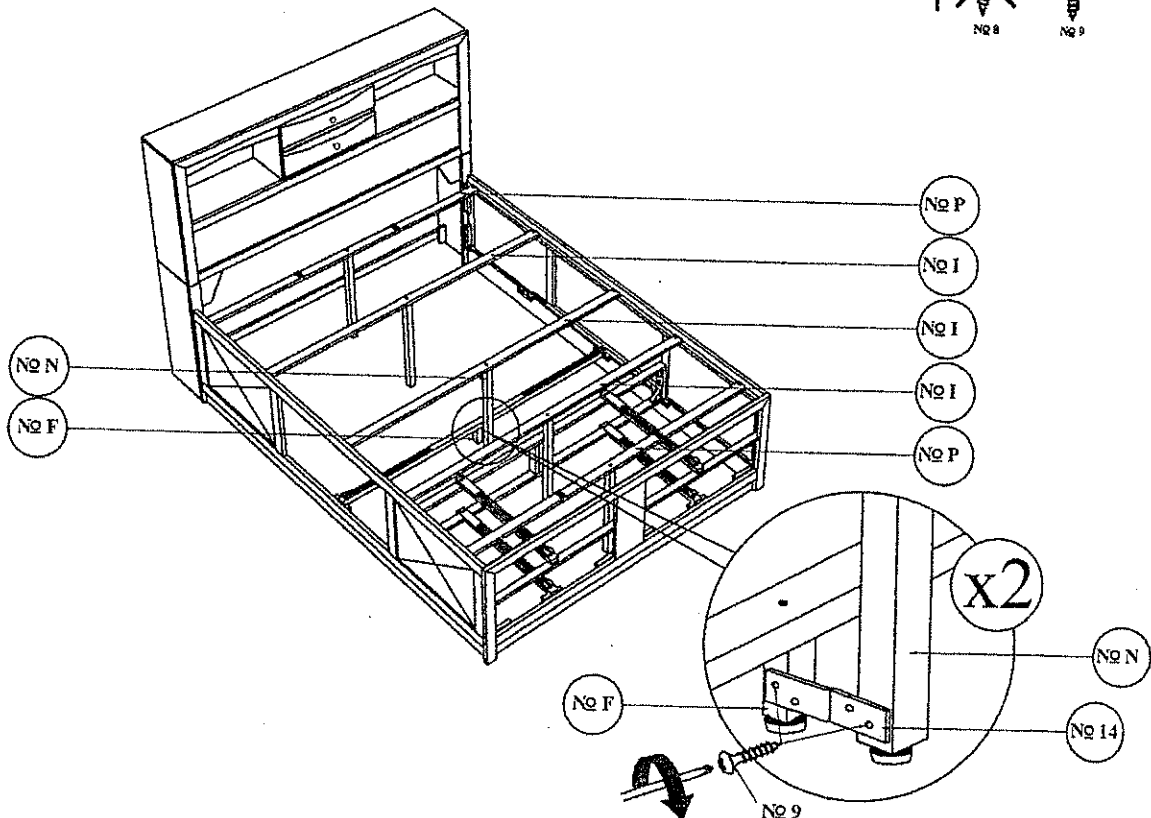
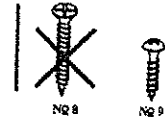
Box 2 : N_o I + N_o N + N_o O + N_o P + N_o 11 + N_o 15



STEP 16

Attach Z-Bracket (14) to the Bed Slat Support (N) and Support Leg 2 (F). Use Panhead Screw (9) and tighten with Screw Driver. (Not included)

Box 2 : N_o 9 + N_o 14



C

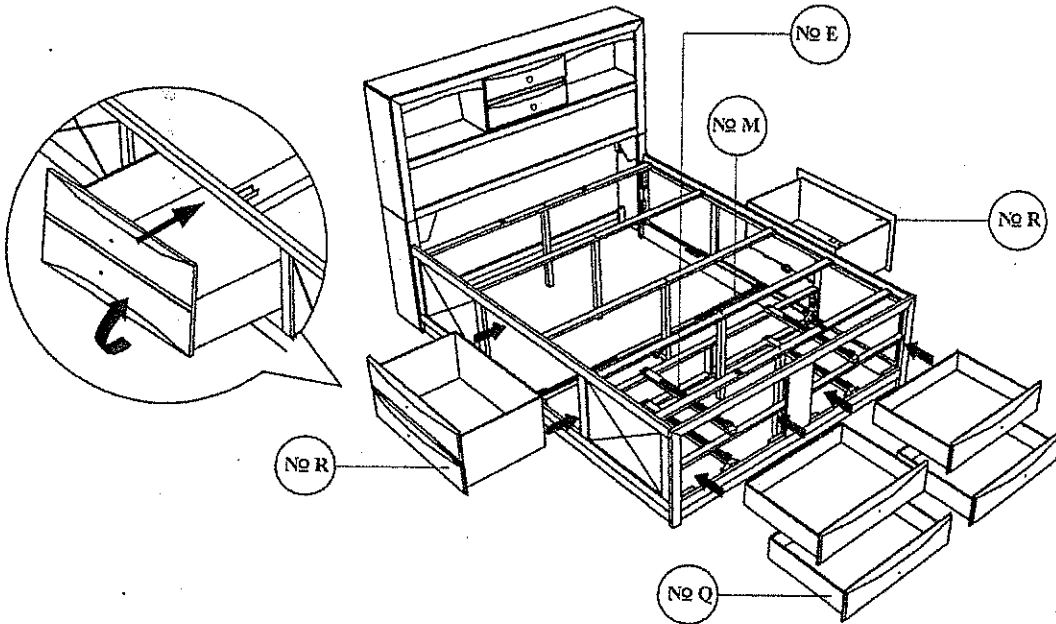
STEP 17

Slide Drawer - 2 (R) into position over Draer Support Rail - 1 (M). Then slide Drawer - 1 (Q) into position over Drawer Support Rail - 2 (E). Adjust the adjuster for alignment of drawer box.

Box 3 : N^o Q + N^o R



Conceal Panel & Drawer Assembly Installation



STEP 18

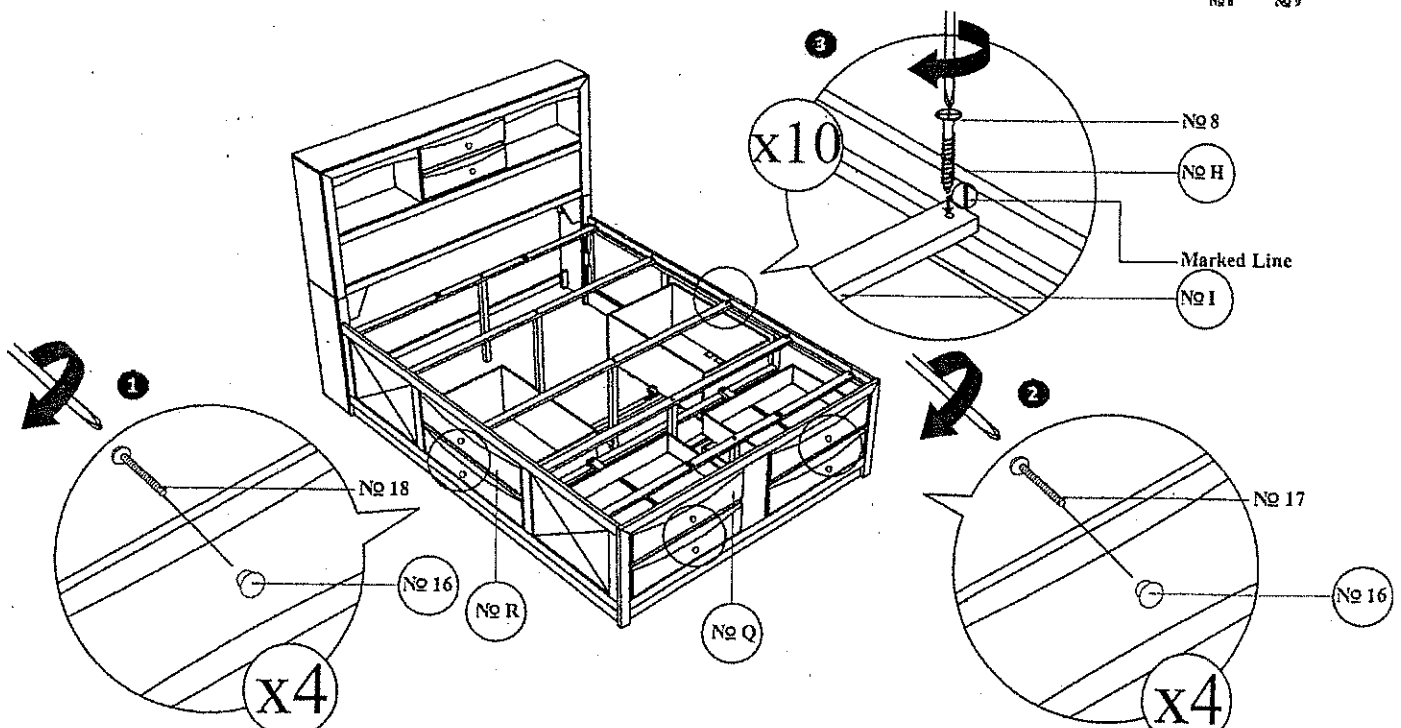
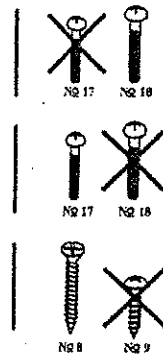
Install the handle (16) in the front of drawer (R). Tighten the Handle Screw (18) using Screw Driver. (Not included)

Install the Handle (16) in front of drawer (Q). Tighten the Handle Screw (17) using Screw Driver. (Not included)

Then Push together the Slide Rail (H) with Bed Slat (I) & tighten with CSK Screw (8) by using Screw Driver. (Make sure the center of Bed Slat (I) is aligned with the marked line as shown).

Box 2 : N^o 8

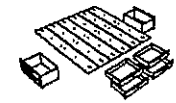
Box 3 : N^o 16 + N^o 17 + N^o 18



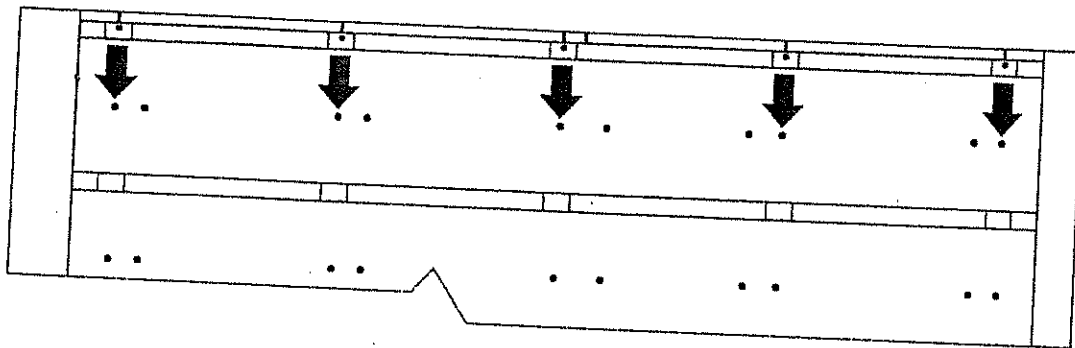
C

STEP
19

Attention! Screw on this markings on concealed panel slat (K).

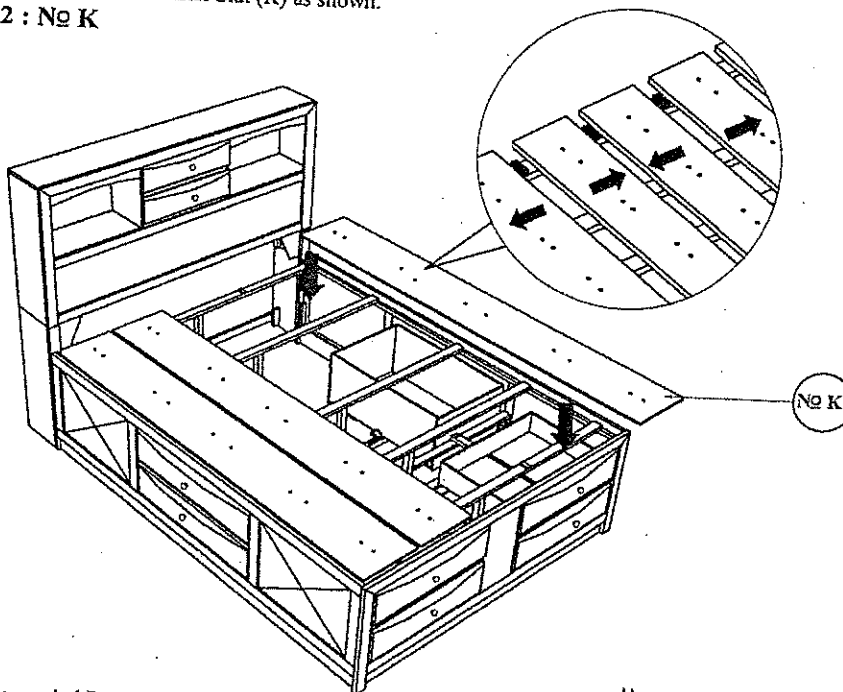


Conceal
Panel & Drawer
Assembly
Installation



STEP
20

Realign the Concealed Panel Slat (K) as shown.
Box 2 : № K



STEP
21

Attach Concealed Panel (K) over the Bed Slat (I) using Panhead
Screw (9) and tighten with Screw Driver. (Not included)
Box 2 : № 9

