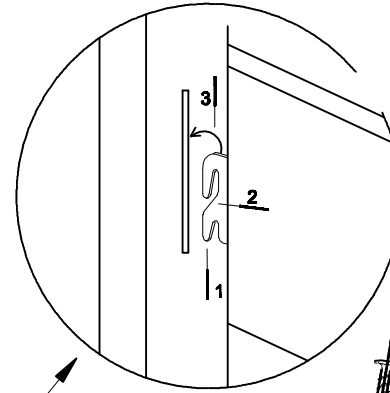
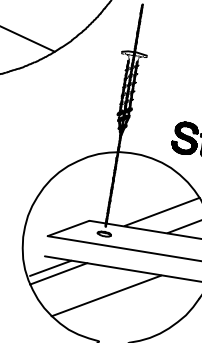


ASSEMBLY INSTRUCTION

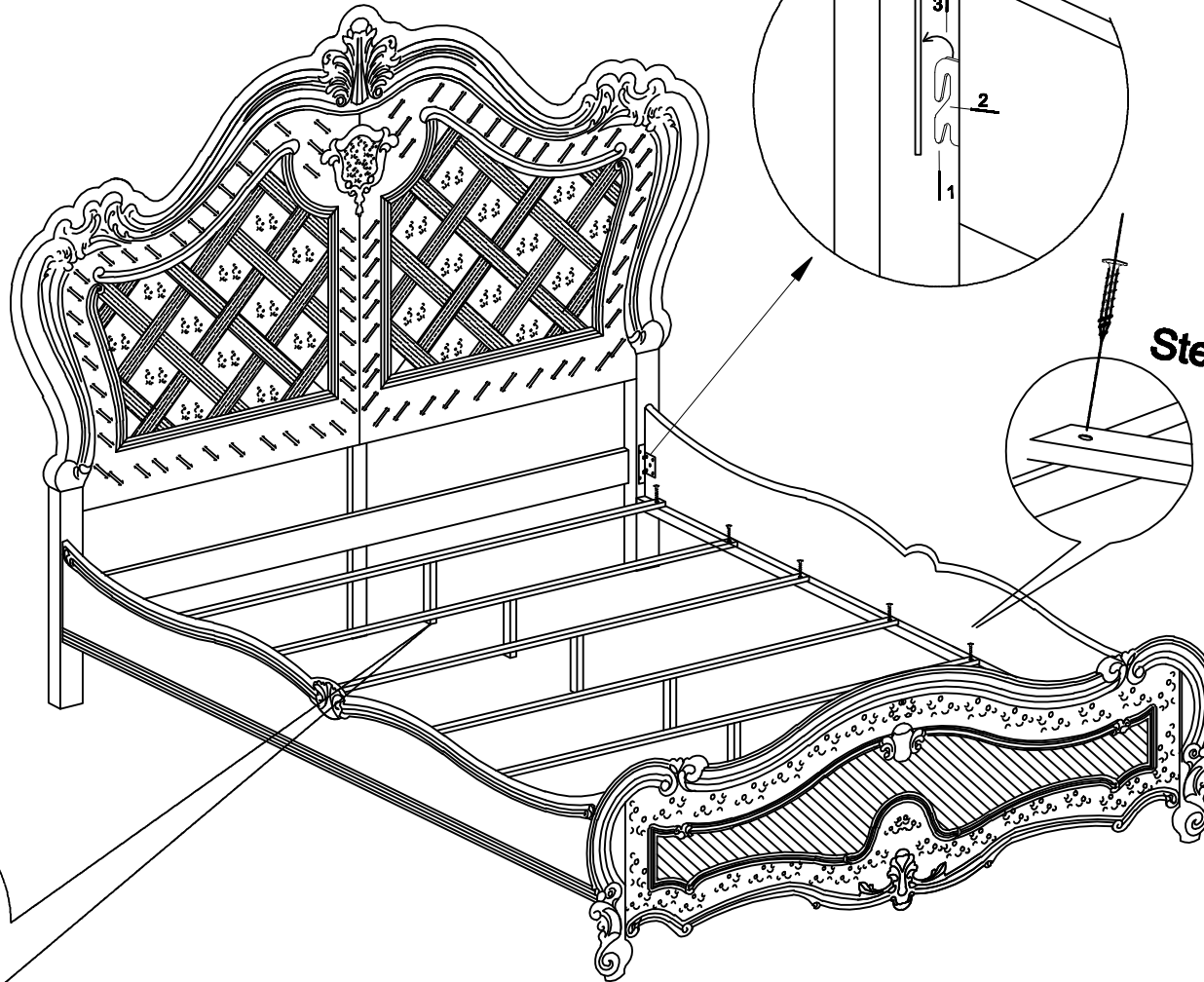
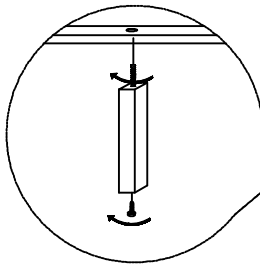
Step 1:



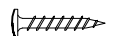
Step 3:



Step 2:



Hardware List:

| No.: | Description | Drawing | Size | Q' ty |
|------|-------------|---|-------------|-------|
| A | wood screw |  | Ø8 X 1-1/2" | 10 |