







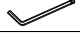

ASSEMBLY INSTRUCTIONS

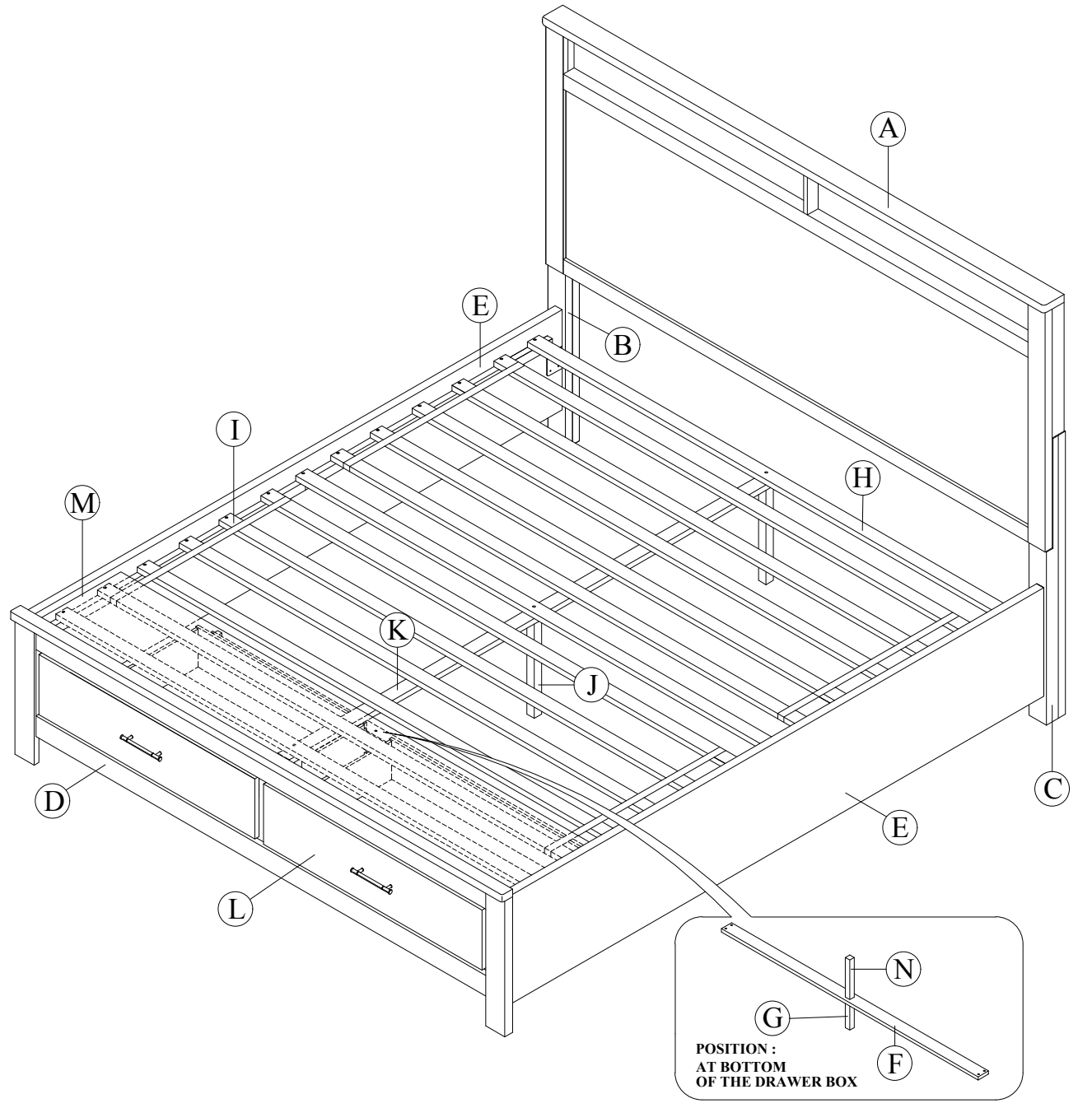
Model : FBKHFR-089A + FBKSRR-089A
 FBKDWR-089A
 REVISION : B

Part List

NO.	Descriptions	Qty.
A	Headboard Panel	1
B	Headboard Leg Left (L)	1
C	Headboard Leg Right (R)	1
D	Footboard	1
E	Bed Rail	2
F	Drawer Slat	1
G	Drawer Slat Support	1
H	Bed Slat 3Holes	3
I	Bed Slat 2Holes	10
J	Bed Slat Support	3
K	Center Slat With 3 Holes	1
L	Drawer	2
M	Slat Cover	1
N	Drawer Slat Support Stopper	1

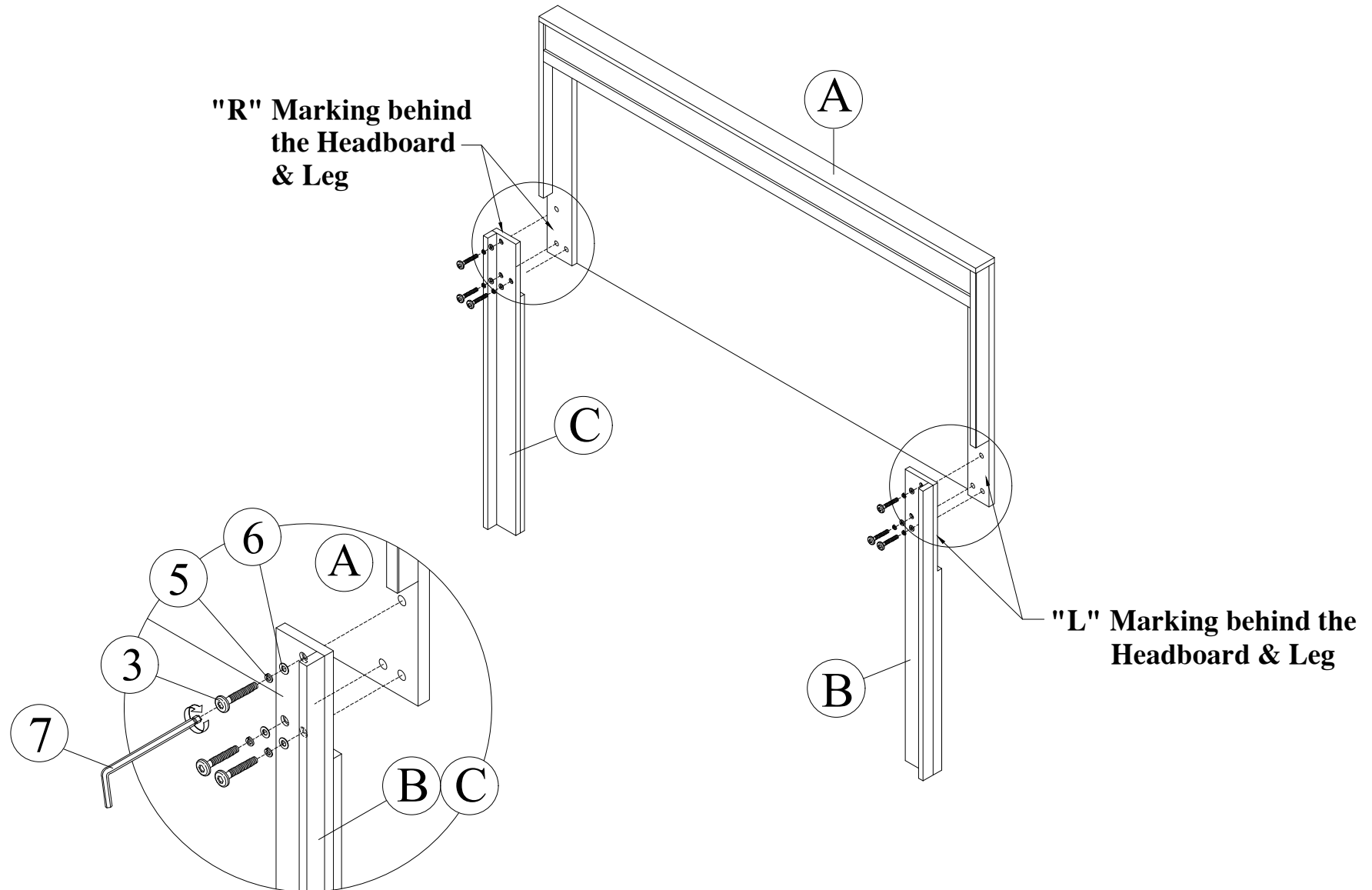
Hardware Pack Headboard & Footboard

NO.	Descriptions	Qty.
1	CSK M4 x 16mm 	7
2	CSK M4 x 32mm 	30
3	JCBC SCREW M6 x 30mm 	6
4	JCBC SCREW M6 x 50mm 	3
5	SPRING WASHER $\text{O}_{\frac{1}{4}}''$ 	6
6	FLAT WASHER $\text{O}_{\frac{1}{4}}'' \times 13\text{mm}$ 	6
7	L KEY M4 x 110mm 	1
8	L KEY M5 	1



ASSEMBLY INSTRUCTIONS

STEP 1.1: Align and fasten Headboard Leg (B) & (C) to Headboard Panel (A) using JCBC M6 x 30mm (3), Spring Washer $\text{\O} \frac{1}{4}$ "(5) and Flat Washer $\text{\O} \frac{1}{4}$ " x 13mm (6) and tighten with L Key M4 (7).
Please note the marking on the leg and headboard



ASSEMBLY INSTRUCTIONS

STEP 2.1: Attach the Bed Rail (E) to Headboard Leg.

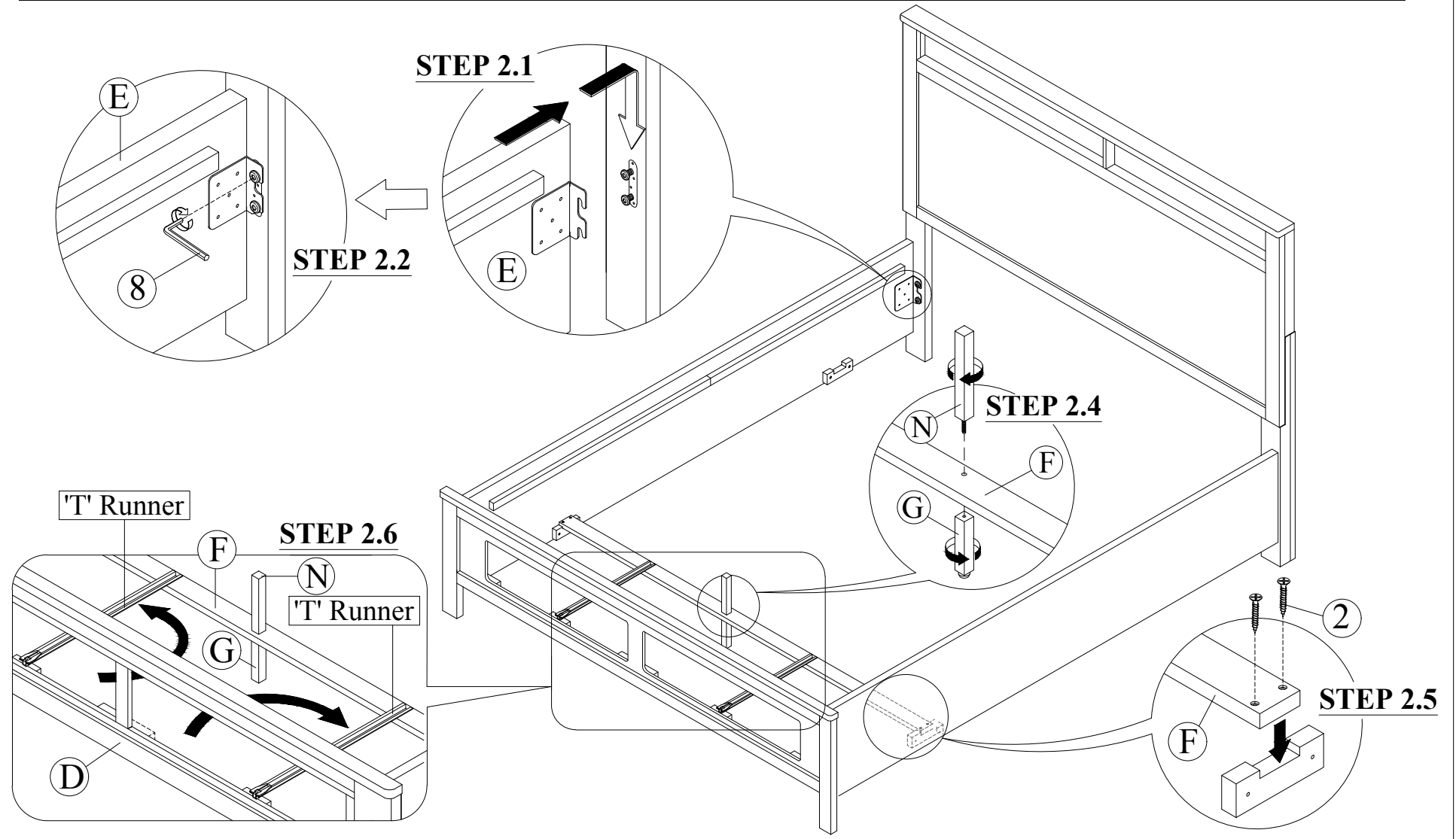
STEP 2.2: Tighten SCREW on Headboard Leg by using L KEY M5 (8) & repeat the same step on Footboard (D).

STEP 2.3: Move the bed to the desired position.

STEP 2.4: Attach the Drawer Slat (F) each to a Drawer Slat Support (G) and fix with Drawer Slat Support Stopper (N).

STEP 2.5: Fix the Drawer Slat (F) to Bed Rail (E) with CSK M4 x 32mm (2).

STEP 2.6: Move 'T' Runner at Footboard (D) to Drawer Slat (F).

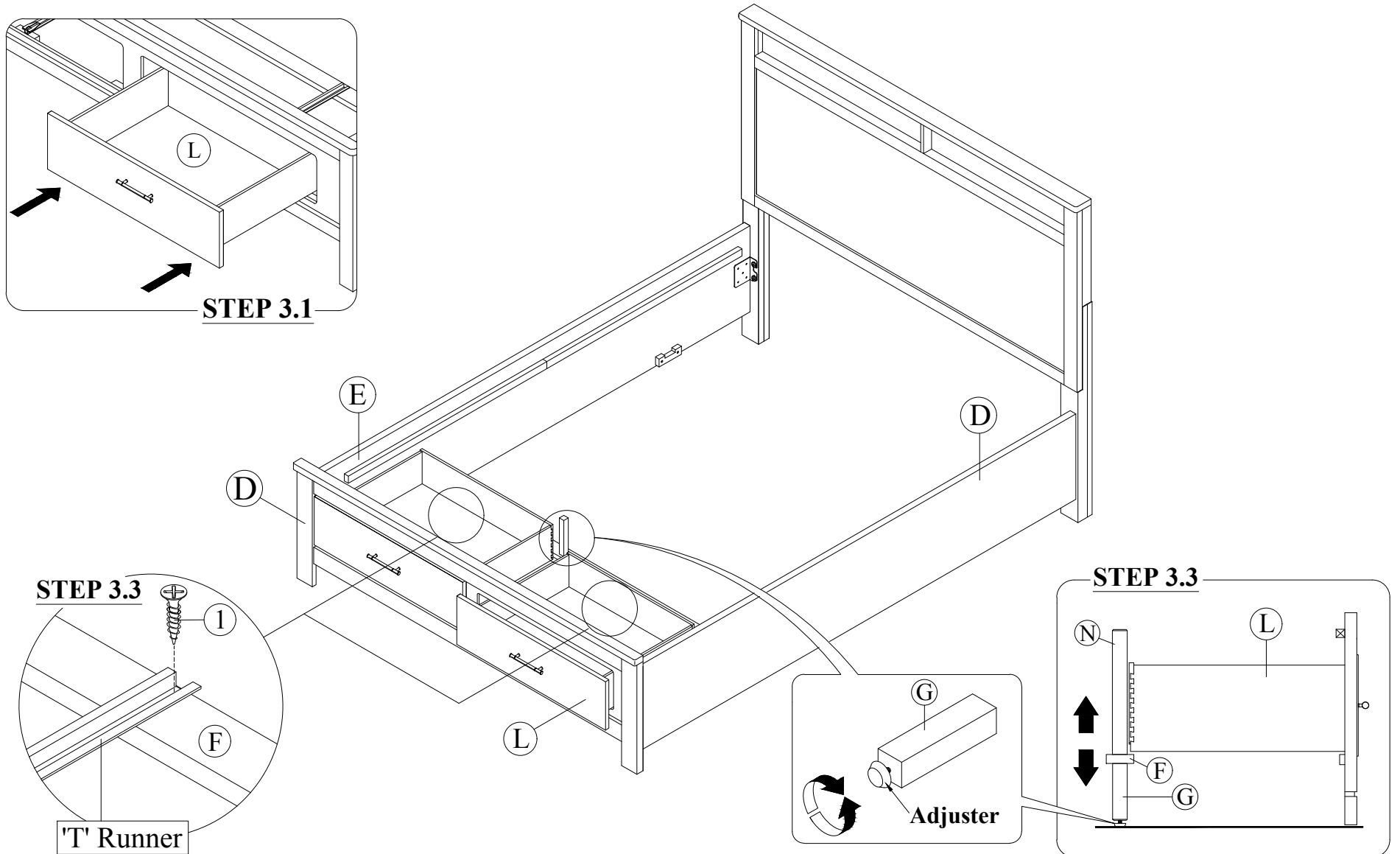


ASSEMBLY INSTRUCTIONS

STEP 3.1: Insert Drawer (L) to Footboard (D) until completely closed.

STEP 3.2: Tighten 'T' Runner at Footboard (D) to Drawer Slat (F) with CSK M4 x 16mm (I).

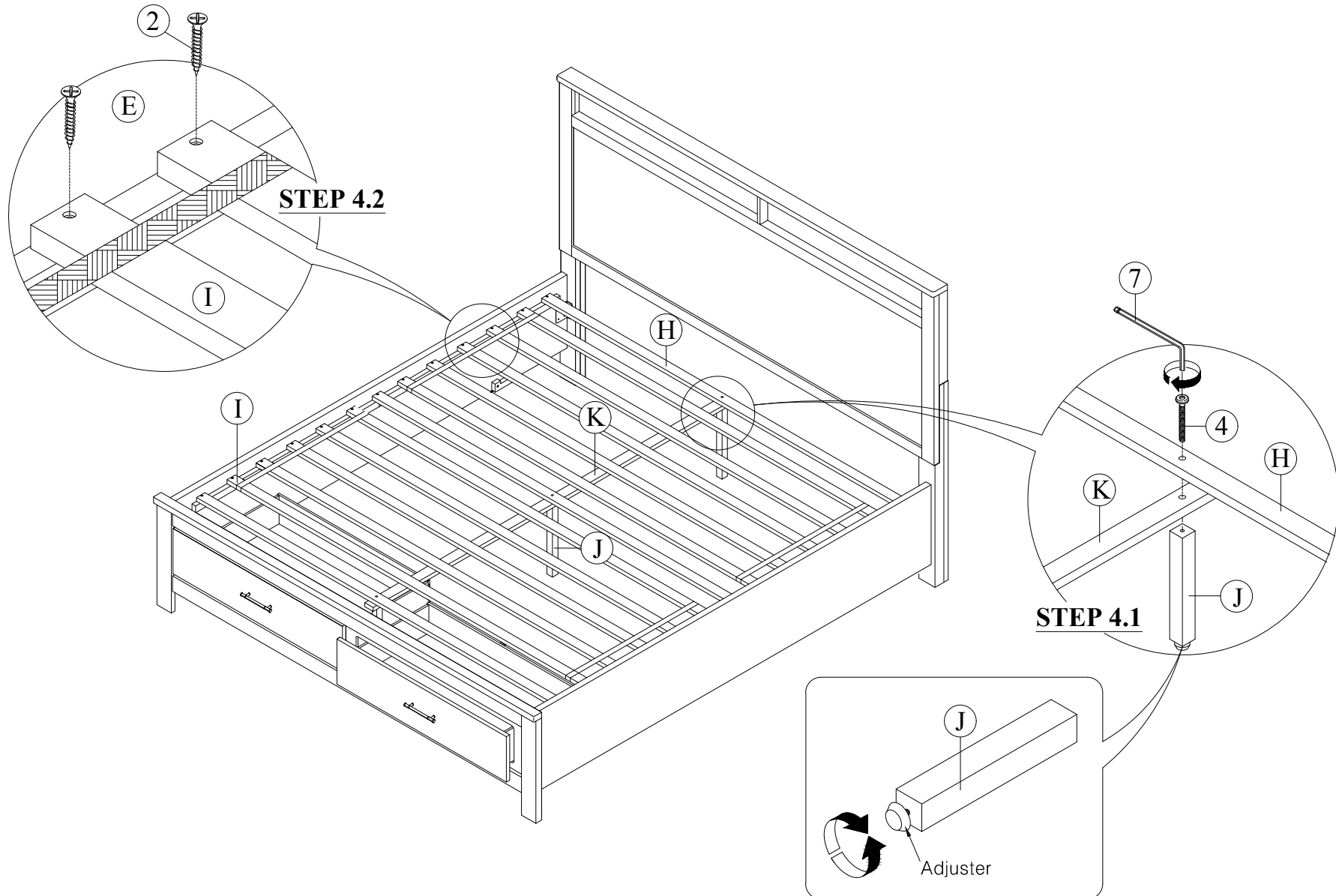
STEP 3.3: If Drawer (L) does not close properly, adjust the adjuster at the bottom of Drawer Slat Support (G) up or down until the Drawer (L) closes tightly.



ASSEMBLY INSTRUCTIONS

STEP 4.1: Attach the Center Slat (K), Bed Slat (H) to Bed Slat Support (J). Tighten with JCBC M6 x 50mm (4) by using L KEY M4 (7).

STEP 4.2: Attach Bed Slat (H) & Bed Slat (K) and tighten to Bed Rail (E) with CSK M4 x 32mm (2).



ASSEMBLY INSTRUCTIONS

STEP 5.1: Attach the Slat Cover (M) to top Bed Slat (H & I) .

STEP 5.2: Close the distance Slat Cover (M) to Footboard (D). Tighten Slat Cover (M) to Wood at Footboard (D) with CSK M4 x 16mm (1).

