

# ASSEMBLY INSTRUCTIONS

21590F-HF/R/PR  
21600Q-HF/R/DR

MODEL : 0016N FULL STORAGE BED

**(BOX 1)**  
BOX OF HEADBOARD & FOOTBOARD

NO.	ITEM	QTY
A	Headboard	1 PC
B	Footboard	1 PC
C	Headboard Leg (L/R)	2 PCS
D	Triangle Support Panel - 9 x 201 x 200	2 PCS

**(BOX 1)**  
HARDWARE LIST

NO.	ITEM	QTY
1	CSK SCREW M4x32MM	8 PCS
2	P/HEAD SCREW M3.5 x 16MM	8 PCS
3	JCBC BOLT M6 x 35MM	4 PCS
4	JCBC BOLT M6 x 50MM	2 PCS
5	SPRING WASHER M6	6 PCS
6	FLAT WASHER M6	6 PCS
7	ALLEN KEY M4	1 PC

**(BOX 2)**  
BOX OF SIDERAIL

NO.	ITEM	QTY
E	Side Rail (L/R)	1 PC
F	Bed Slat	5 PCS
G	H/Board Drawer Frame	1 PC
H	Concealed Panel	4 PCS
I	H/Board Back Support - 20 x 30 x 1560mm	1 PC
J	Drawer Suppt. Rail - 1	1 PC
K	Drawer Suppt. Rail - 2	4 PCS
L	Support Leg 1 - 30 x 30 x 518mm	5 PCS
M	Support Leg 2 - 30 x 30 x 95mm	1 PC
N	Support Leg 3 - 30 x 30 x 107mm	1 PC
O	H/Board Back Support - 11 18x45x1560	5 PCS

**(BOX 2)**  
HARDWARE LIST

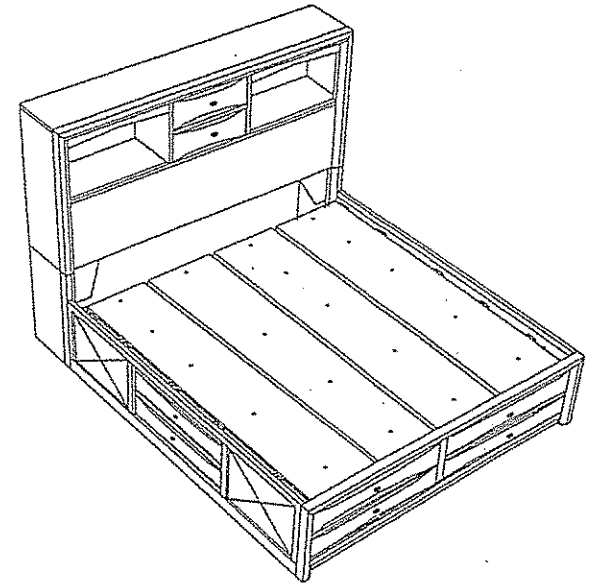
NO.	ITEM	QTY
8	CSK SCREW M4x32MM	16 PCS
9	P/HEAD SCREW M3.5 x 16MM	22 PCS
10	JCBC BOLT M6 x 35MM	15 PCS
11	JCBC BOLT M6 x 50MM	6 PCS
12	SPRING WASHER M6	15 PCS
13	FLAT WASHER M6	15 PCS
14		1 PC
15	ALLEN KEY M4	1 PC

**(BOX 3 & 4)**  
BOX OF PART & HARDWARE

NO.	ITEM	QTY
P	Drawer - 1	4 pcs
Q	Drawer - 2	2 pcs
16	HANDLE(OVAL)	8 pcs
17	T/HEAD SCREW HANDLE M4 x 42MM	4 pcs
18	T/HEAD SCREW HANDLE M4 x 50MM	4 pcs

**REMARK!!!**

\* DRAWER 1 (P) & 2 (Q)  
ARE IDENTICAL AND COULD BE  
USED IN COMMON, REGARDLESS  
LEFT OR RIGHT.

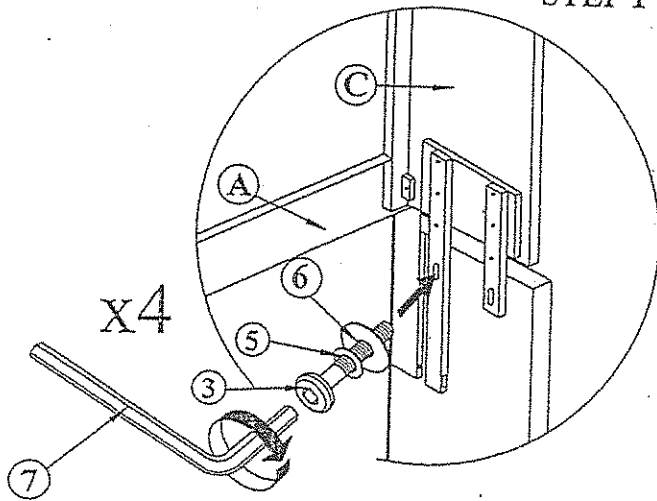


NOTE: DURING ASSEMBLY DO NOT TIGHTEN  
ANY HARDWARE UNTIL THE COMPLETE  
UNIT HAS BEEN ASSEMBLED.

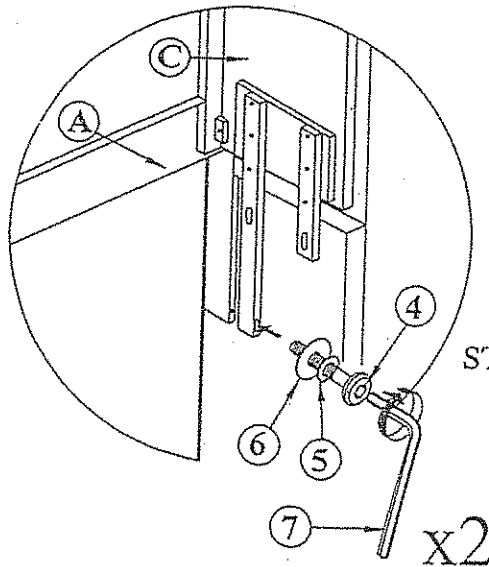
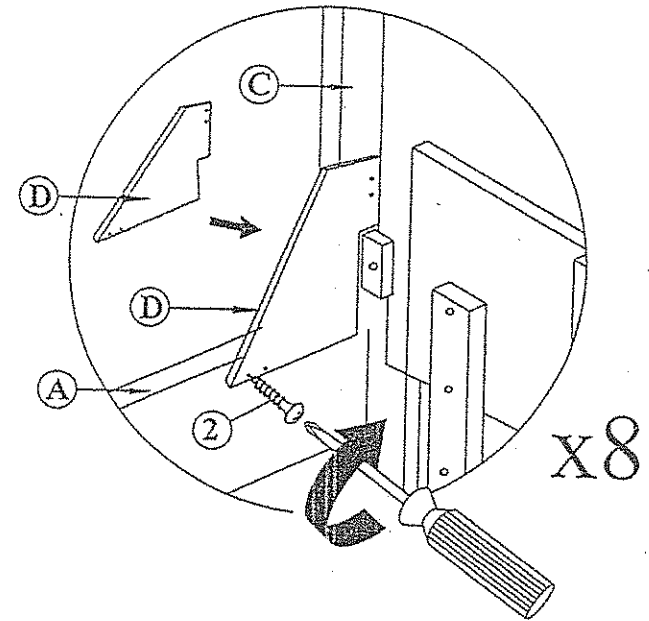
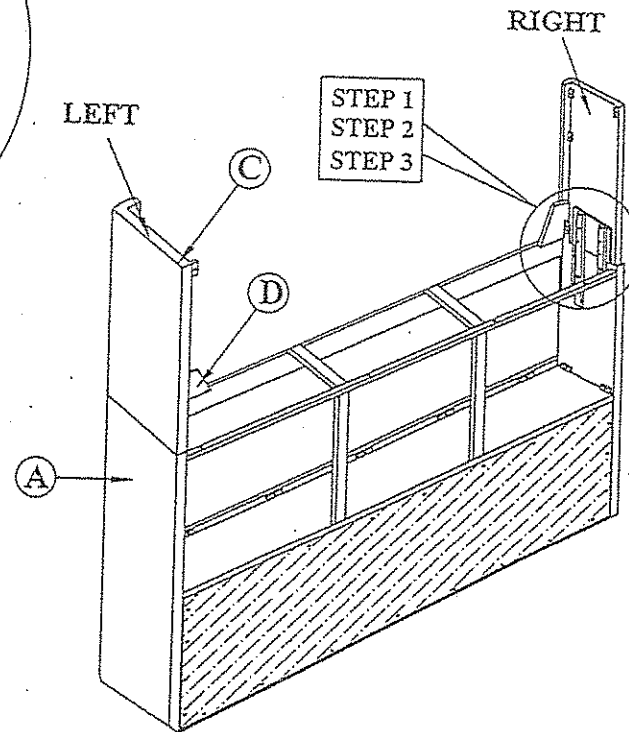
NOTE: MUST TIGHTEN SCREWS PERIODCALLY WITH USE SCREW WILL BECOME LOOSE CHECK TIGHTNESS OF ALL SCREW EVERY 6-8 WEEKS.

# ASSEMBLY INSTRUCTIONS

**STEP 1 :** Attached and tighten the Headboard Leg L/R ( C ) to the Headboard ( A ).Insert Spring Washer ( 5 ) Flat Washer ( 6 ),use JCBC Bolt ( 3 ) to fix with Allen Key ( 7 ).



**STEP 3 :** Attached and tighten the Triangle Support Panel ( D ) to the Headboard and fix the Panhead Screw ( 2 ) using Screw Driver.( Not Included )

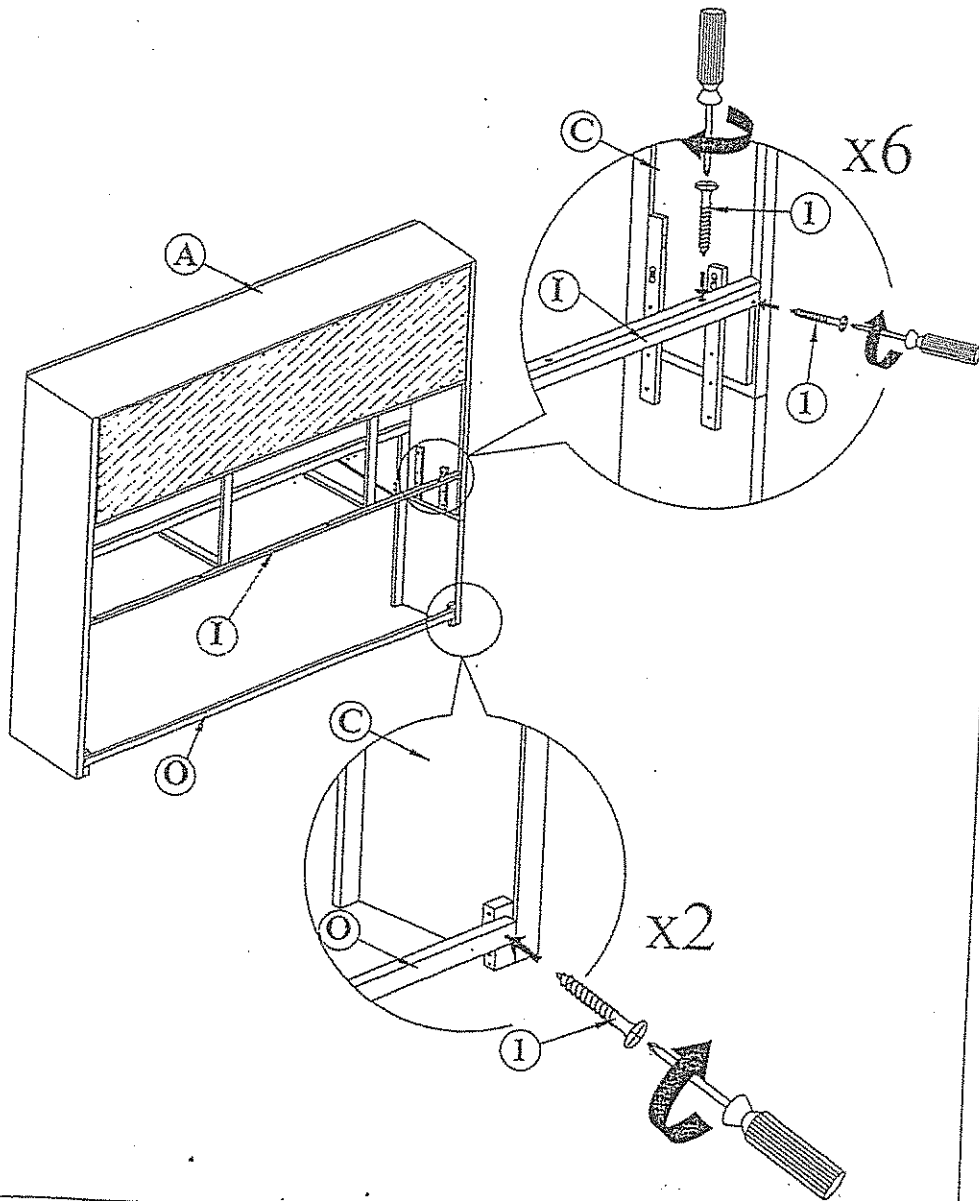


**STEP 2 :** Attached and tighten the Headboard Leg L/R ( C ) to the Headboard ( A ).Insert Spring Washer ( 5 ) Flat Washer ( 6 ),use JCBC Bolt ( 4 ) to fix with Allen Key ( 7 ).

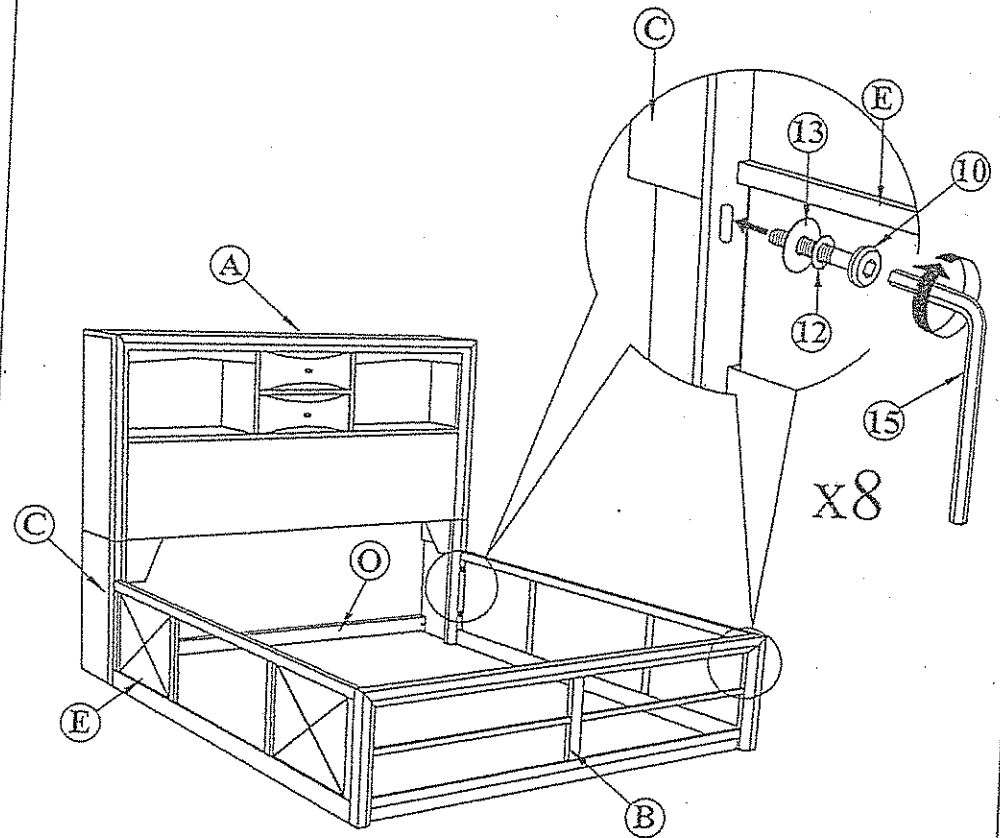
NOTE : MUST TIGHTEN SCREWS PERIODCALLY WITH USE SCREW WILL BECOME LOOSE CHECK TIGHTNESS OF ALL SCREW EVERY 6-8 WEEKS.

# ASSEMBLY INSTRUCTIONS

STEP 4 : Attach Headboard Back Support ( I ) and ( O ) follow the picture. Fix the CSK Screw ( 1 ) using a Screw Driver. ( Not Included )



STEP 5 : Attach the Side Rail ( E ) to the Headboard Leg ( C ) and Footboard ( B ). Insert Spring Washer ( 12 ), Flat Washer ( 13 ), use JCBC Bolt ( 10 ) to fix with Allen Key ( 15 ).

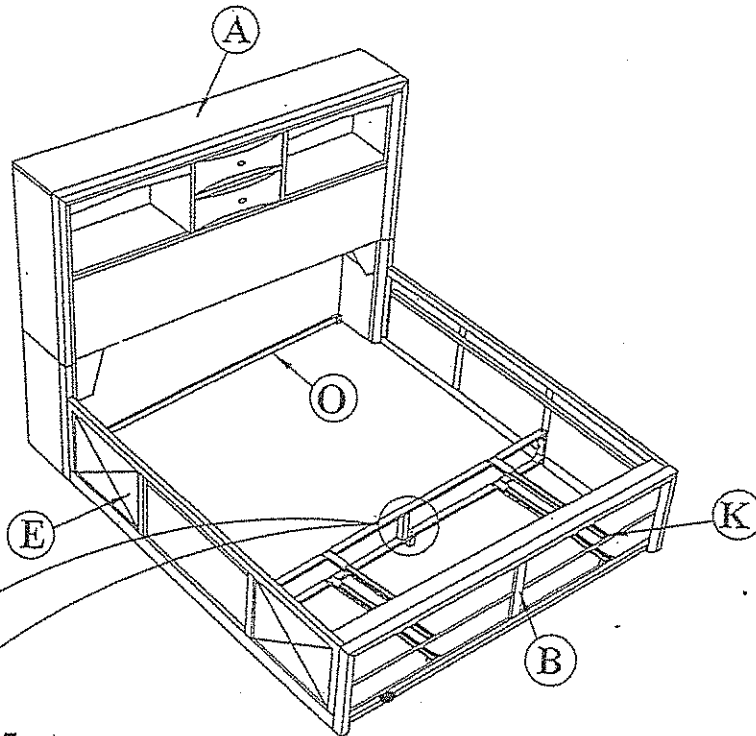
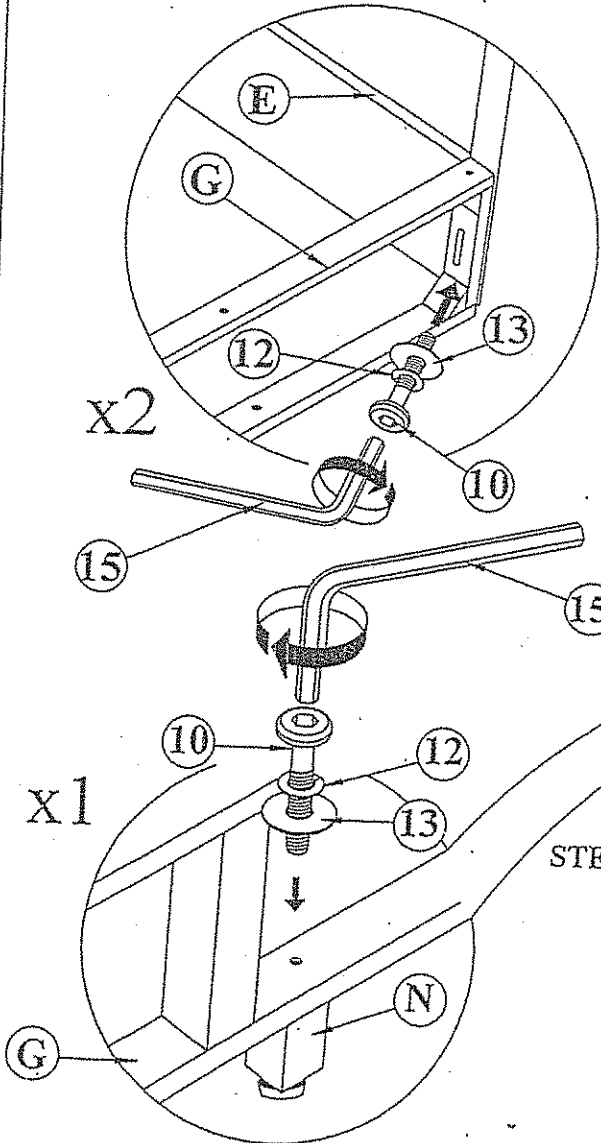


NOTE : MUST TIGHTEN SCREWS PERIODCALLY WITH USE SCREW WILL BECOME LOOSE CHECK TIGHTNESS OF ALL SCREW EVERY 6-8 WEEKS.

# ASSEMBLY INSTRUCTIONS

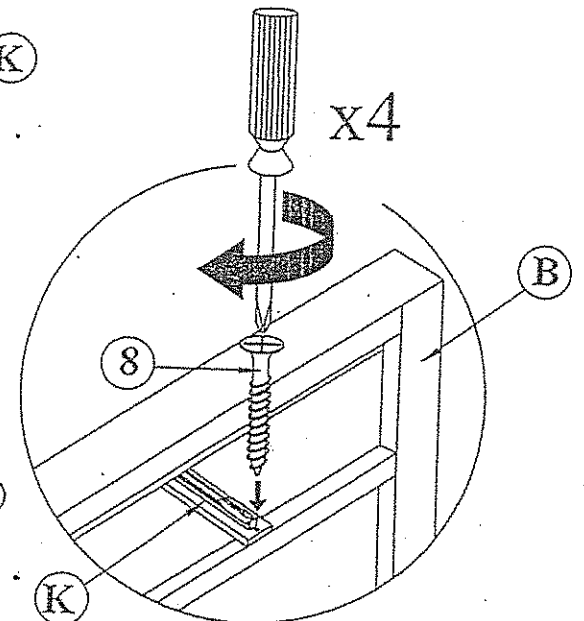
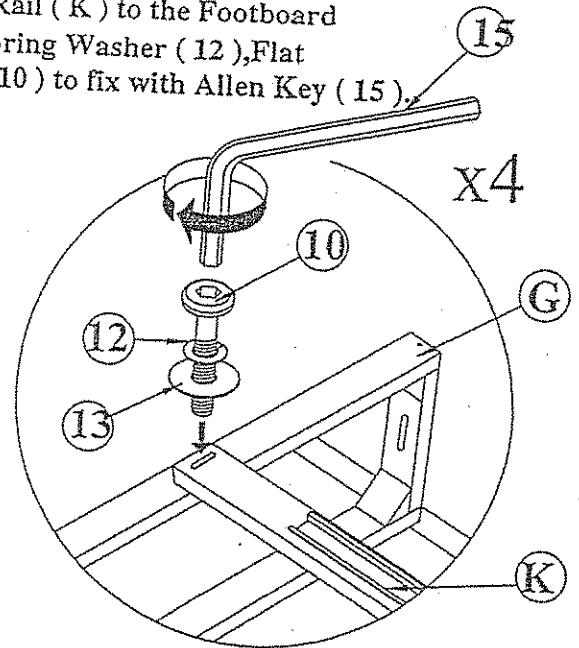
**STEP 6 :** Attach the Footboard Drawer Frame ( G ) to the Side Rail ( E ). Insert Spring Washer ( 12 ), Flat Washer ( 13 ) & JCBC Bolt ( 10 ) to fix with Allen Key ( 15 ).

**STEP 9 :** Attach the Drawer Support Rail ( K ) to the Footboard Drawer Frame ( G ). Insert Spring Washer ( 12 ), Flat Washer ( 13 ) & JCBC Bolt ( 10 ) to fix with Allen Key ( 15 ).



**STEP 7 :** Attach Support Leg 3 ( N ) to the Footboard Drawer Frame ( G ). Insert Spring Washer ( 12 ), Flat Washer ( 13 ) & JCBC Bolt ( 10 ) to fix with Allen Key ( 15 ).

**STEP 8 :** Attach the Drawer Support Rail ( K ) to the Footboard ( B ) using CSK Screw ( 8 ) and tighten with Screw Driver. ( Not Included )

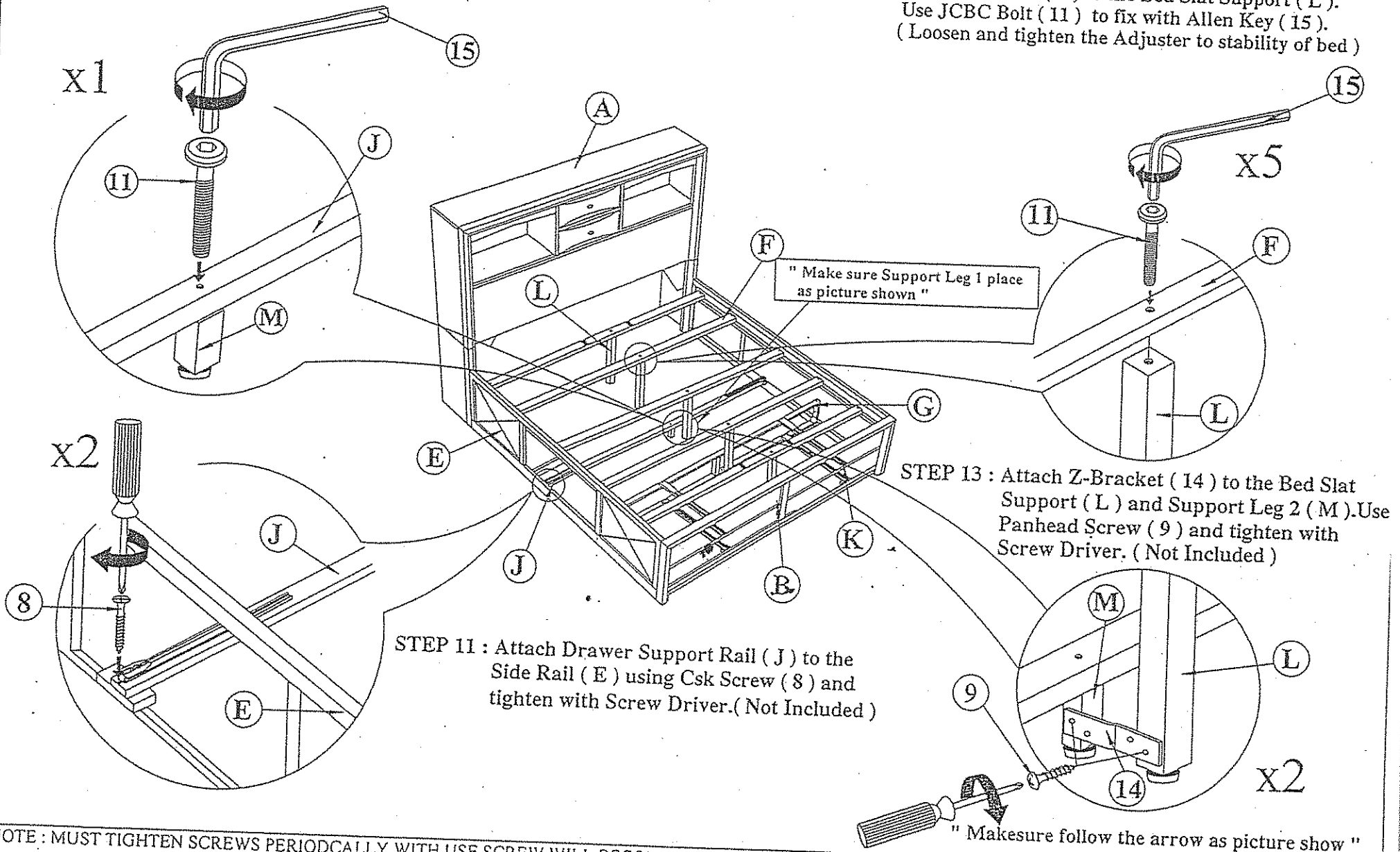


**NOTE :** MUST TIGHTEN SCREWS PERIODCALLY WITH USE SCREW WILL BECOME LOOSE CHECK TIGHTNESS OF ALL SCREW EVERY 6-8 WEEKS.

# ASSEMBLY INSTRUCTIONS

STEP 10 : Attach Support Leg 2 ( M ) to the Drawer Support Rail ( J ). Use JCBC Bolt ( 11 ) to fix with Allen Key ( 15 ).

Step 12 : Attach Bed Slat ( F ) to the Bed Slat Support ( L ). Use JCBC Bolt ( 11 ) to fix with Allen Key ( 15 ).  
( Loosen and tighten the Adjuster to stability of bed )



STEP 11 : Attach Drawer Support Rail ( J ) to the Side Rail ( E ) using Csk Screw ( 8 ) and tighten with Screw Driver. ( Not Included )

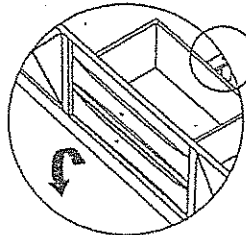
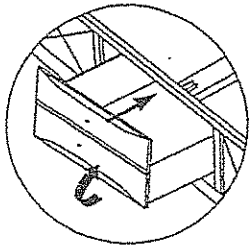
STEP 13 : Attach Z-Bracket ( 14 ) to the Bed Slat Support ( L ) and Support Leg 2 ( M ). Use Panhead Screw ( 9 ) and tighten with Screw Driver. ( Not Included )

" Makesure follow the arrow as picture show "

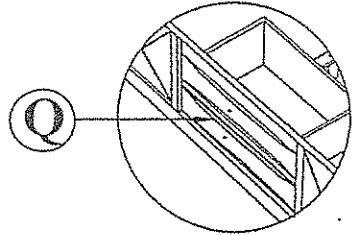
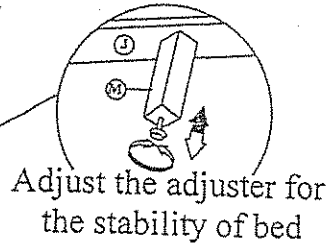
NOTE : MUST TIGHTEN SCREWS PERIODCALLY WITH USE SCREW WILL BECOME LOOSE CHECK TIGHTNESS OF ALL SCREW EVERY 6-8 WEEKS.

# ASSEMBLY INSTRUCTIONS

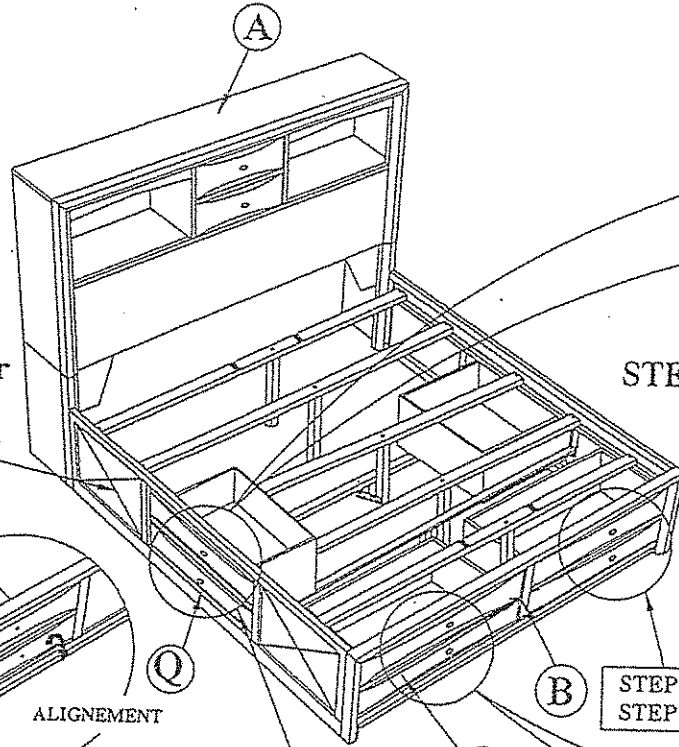
**STEP 14 : Attach Drawer-2 ( Q ) on Drawer Support Rail -1 ( J ).**



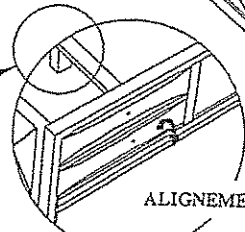
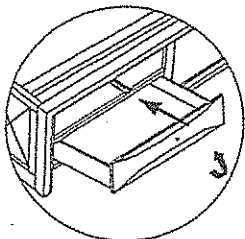
ALIGNEMENT



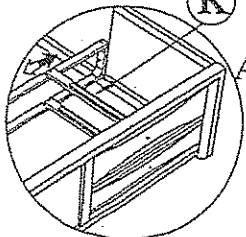
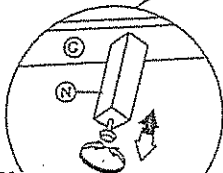
Q



**STEP 15 : Attach Drawer-1 ( P ) on Drawer Support Rail -2 ( K ).**



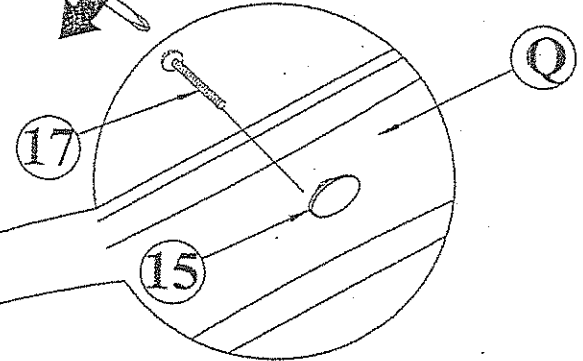
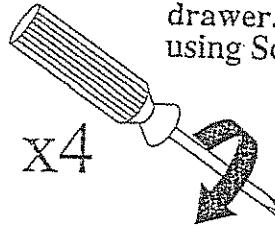
ALIGNEMENT



K

P

**STEP 16 : Install the Handle ( 15 ) in front of drawer. Tighten the Handle Screw ( 17 ) using Screw Driver. ( Not Included )**

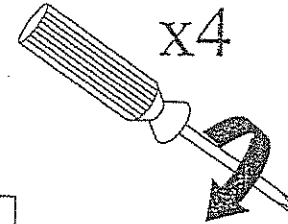


17

15

Q

**STEP 17 : Install the Handle ( 15 ) in front of drawer. Tighten the Handle Screw ( 16 ) using Screw Driver. ( Not Included )**



STEP 15  
STEP 17

16

15

P

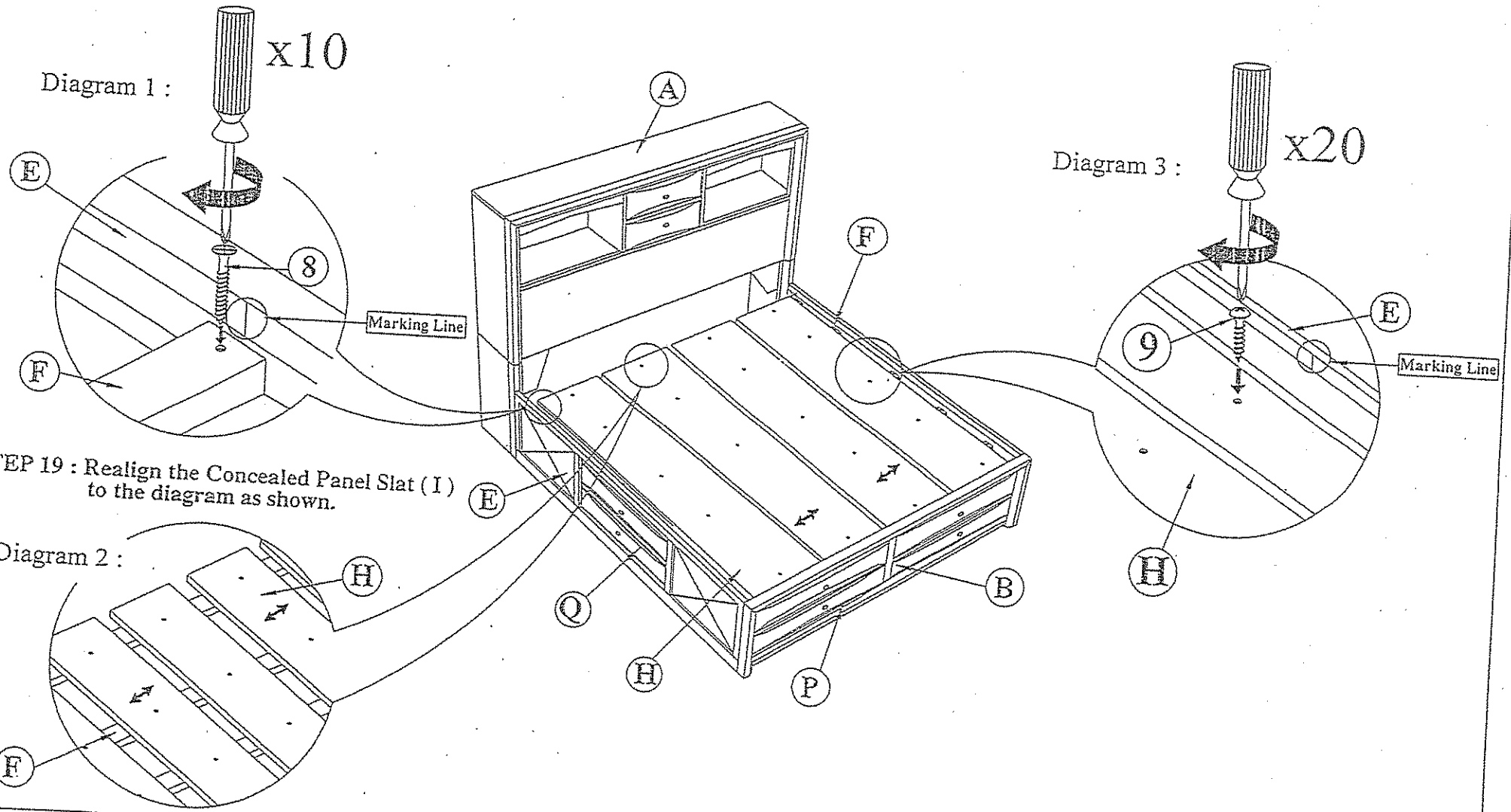
STEP 14  
STEP 16

NOTE : MUST TIGHTEN SCREWS PERIODCALLY WITH USE SCREW WILL BECOME LOOSE CHECK TIGHTNESS OF ALL SCREW EVERY 6-8 WEEKS.

# ASSEMBLY INSTRUCTIONS

**STEP 18 :** Push the Side Rail ( E ) with Bed Slat ( F ) and tighten with CSK Screw ( 8 ) by using Screw Driver. ( Not Included )  
( Make sure follow the center Marking Line as shown )

**STEP 20 :** Attach Concealed Panel Slat ( H ) at the Upper Bed Slat ( F ) using Panhead Screw ( 9 ) and tighten with Screw Driver. ( Not Included )



**STEP 19 :** Realign the Concealed Panel Slat ( I ) to the diagram as shown.

**NOTE :** MUST TIGHTEN SCREWS PERIODCALLY WITH USE SCREW WILL BECOME LOOSE CHECK TIGHTNESS OF ALL SCREW EVERY 6-8 WEEKS.