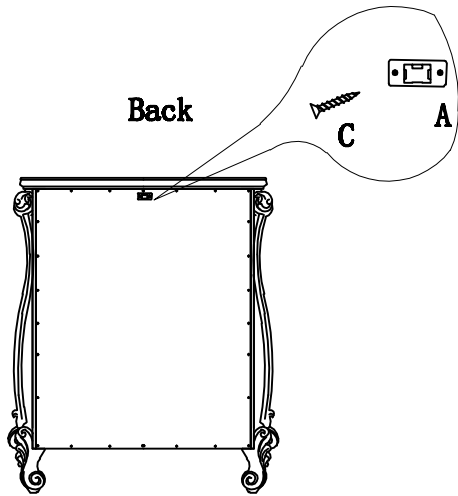
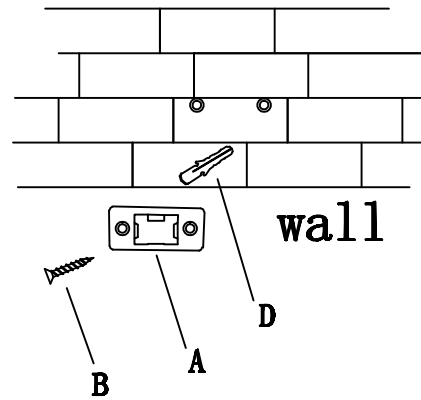


# ASSEMBLY INSTRUCTION

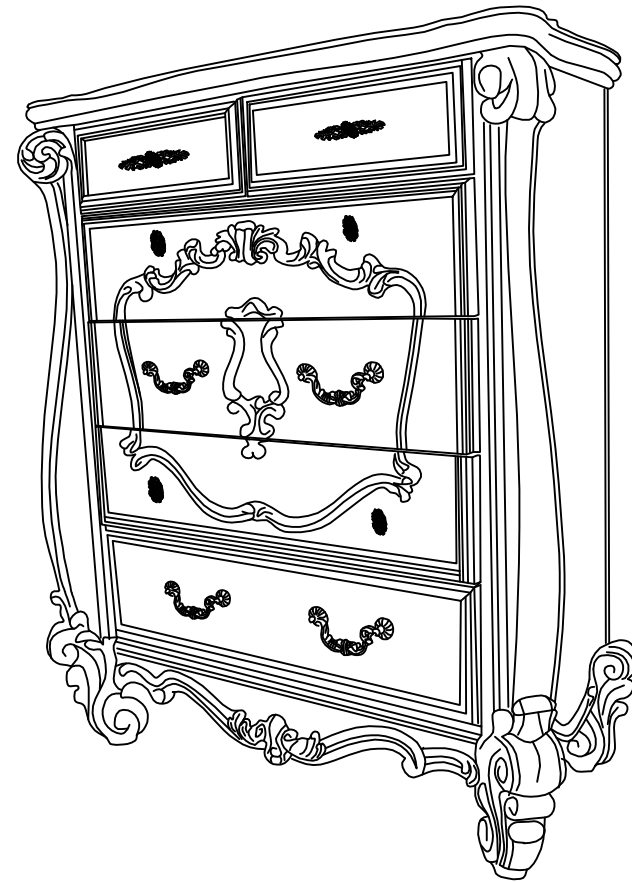
Step 1:



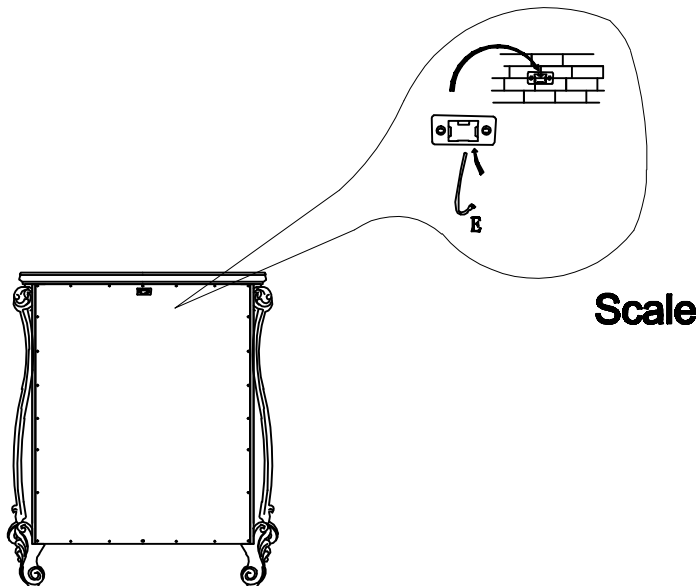
Step 2:



Finish:



Step 3:



No.:	Description	Drawing	Size	Q' ty
A	Fasten unit		44mmX20mm	2
B	Long Screw		Ø7mmX38mm	2
C	Short Screw		Ø6mmX16mm	2
D	Shrink bolt		Ø5/16"X1-1/2"	2
E	Safety belt		8mmX250mm	1