


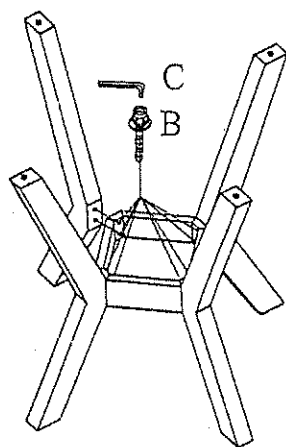


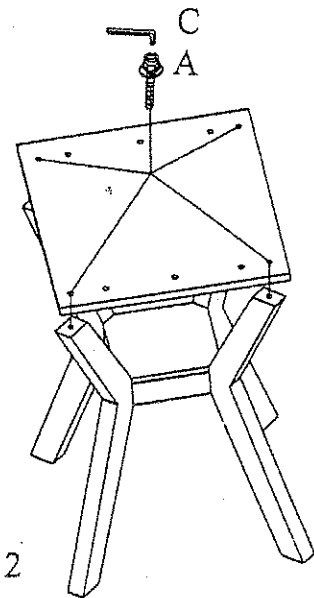
# ASSEMBLY INSTRUCTIONS

DO NOT TIGHTEN SCREWS UNTIL COMPLETELY ASSEMBLED!!!

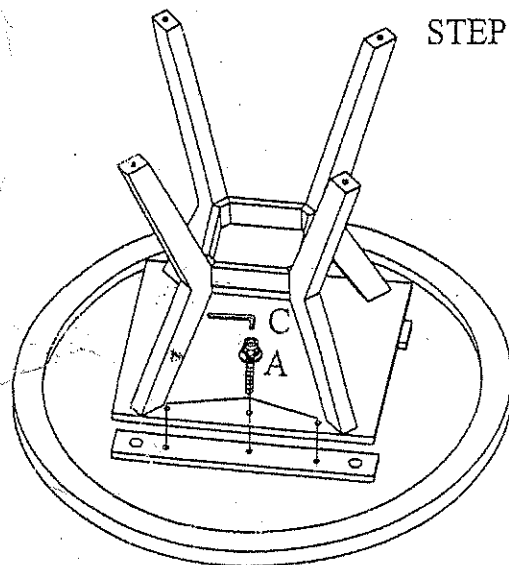
NO	DESCRIPTION			QTY
A	BOLT		Ø5/16 "*1-1/2"	10 PCS
B	BOLT		Ø5/16 "*2-3/4"	8 PCS
C	WRENCH		5/16 "	1 PC



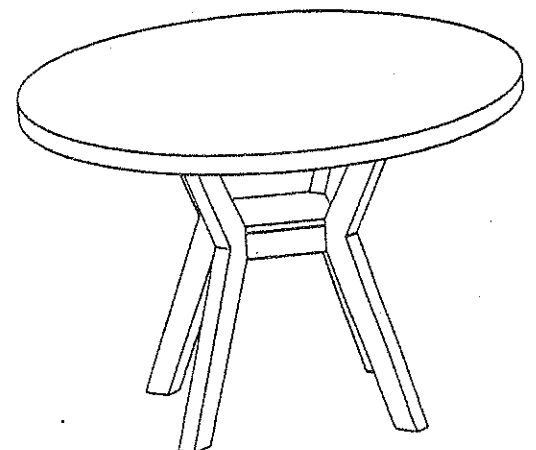
STEP 1



STEP 2



STEP 3



STEP 4