

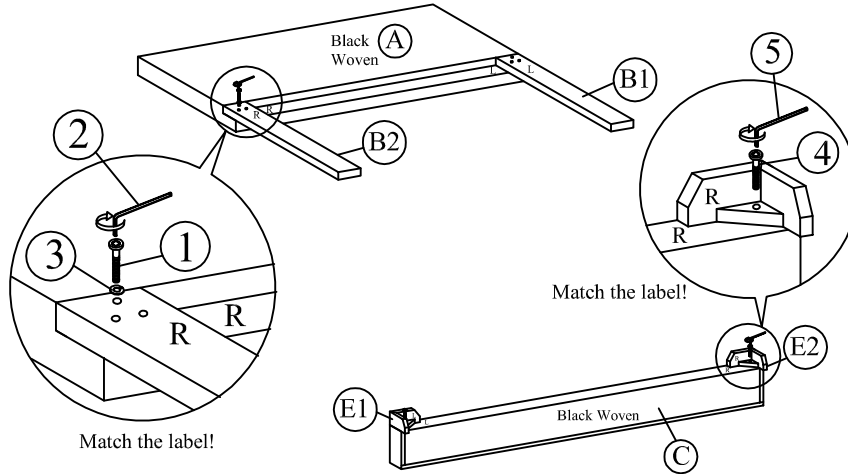
MODEL : 14440F&14375F&14395F
24325F

Assembly Instruction

(BOX 1)
BOX OF HEADBOARD

| NO | ITEM | QTY |
|----|----------------------------|-------|
| A | HEADBOARD | 1 PC |
| B | HEADBOARD LEG B1 L B2 R | 2 PCS |

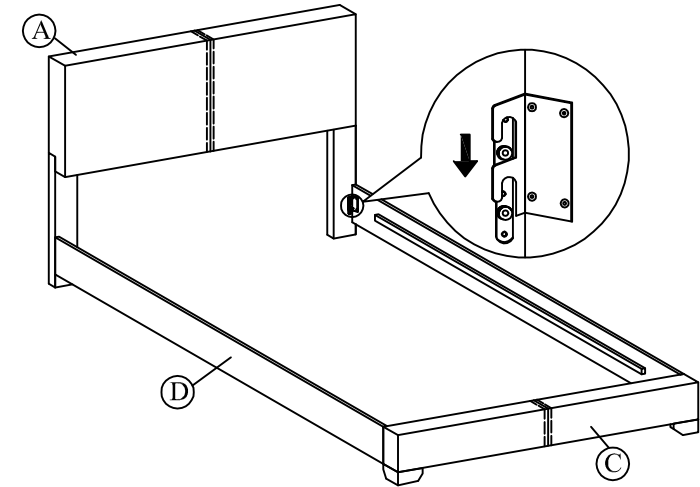
Step 1: Fix the headboard (A) and footboard (C) with headboard legs (B) and footboard leg (E) as shown. Please follow the label to identify the correct legs to be fixed.



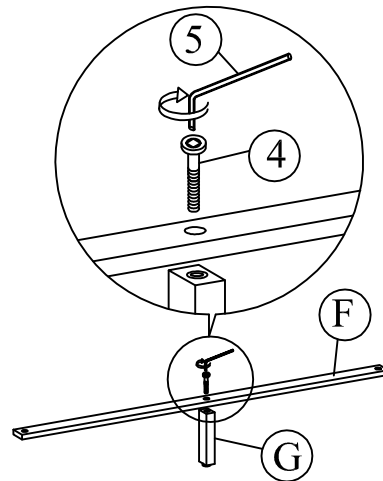
(BOX 2)
BOX OF FOOTBOARD & SIDE RAIL

| NO | ITEM | QTY |
|----|----------------------------|-------|
| C | FOOTBOARD | 1 PC |
| D | SIDE RAIL | 2 PCS |
| E | FOOTBOARD LEG E1 L E2 R | 2 PCS |
| F | SLAT | 3 PCS |
| G | SUPPORT LEG | 3 PCS |

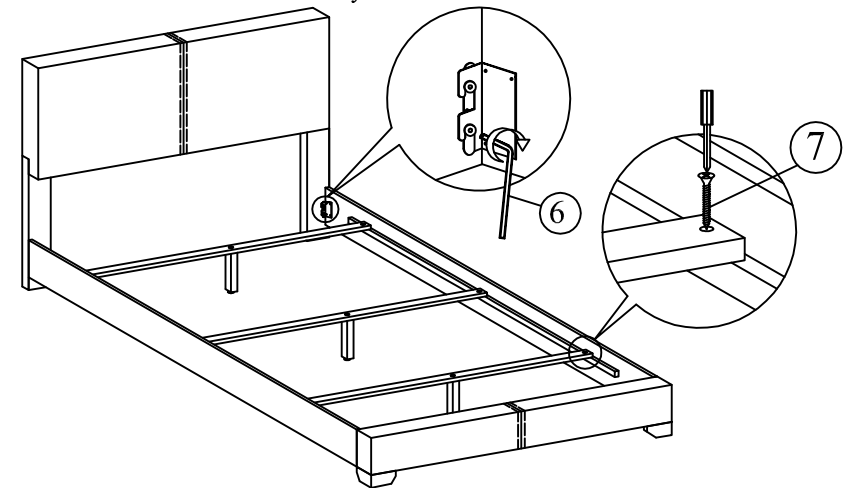
Step 2: Attach side rail (D) to headboard (A) and footboard (C) by pushing the bracket down to fit it.



Step 3: Attach the support legs (G) to the slat (F) of the bed as shown.



Step 4: Tighten the 4 Corner with Allen Key (6). Install the slats to side rail. Tighten the slats with CSK screw (7). The distance of the slats should be sufficient to obtain desirable bed stability.



(BOX 1)
HARDWARE LIST

| NO | ITEM | QTY |
|----|----------------|-------|
| 1 | JCBC M6 x 40MM | 6 PCS |
| 2 | M4 x 65MM | 1 PC |
| 3 | SPRING WARHES | 6 PCS |

(BOX 2)
HARDWARE LIST

| NO | ITEM | QTY |
|----|--|-------|
| 4 | JCBC M6 x 40MM | 5 PCS |
| 5 | M4 x 100 MM | 1 PC |
| 6 | M5 x 70MM | 1 PC |
| 7 | FLAT HEAD CHIPBOARD SCREW M4 x 32MM | 6 PCS |