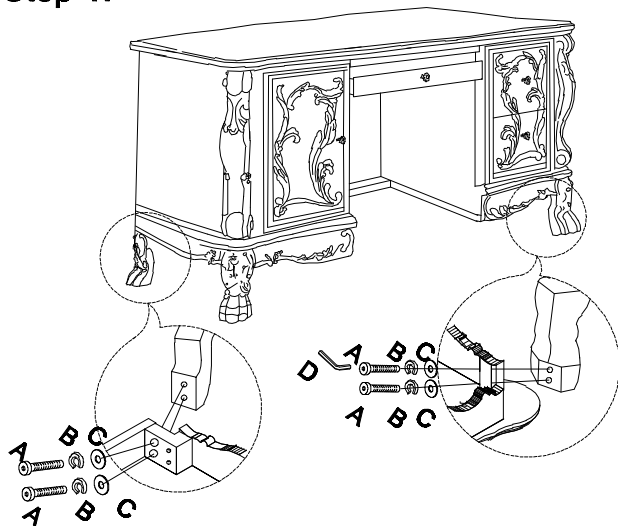


ASSEMBLY INSTRUCTION

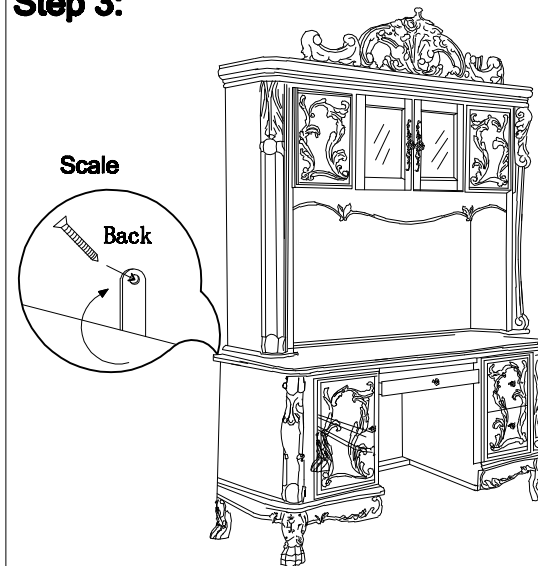
Step 1:



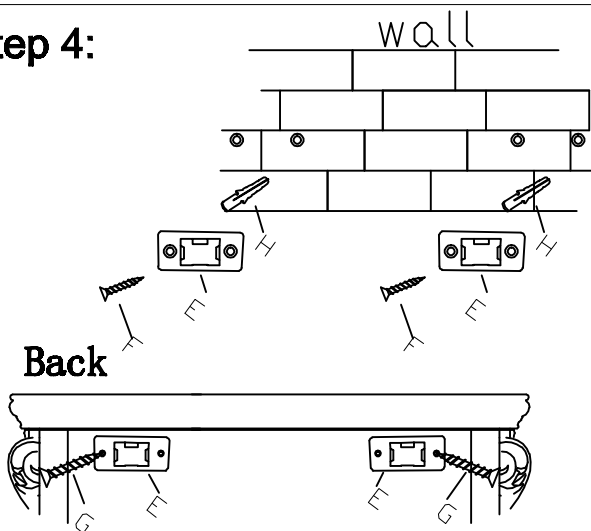
Step 2:



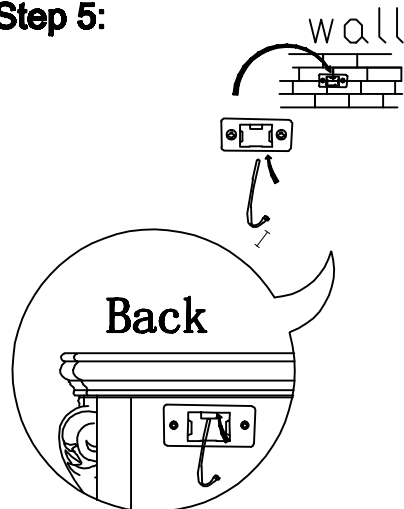
Step 3:



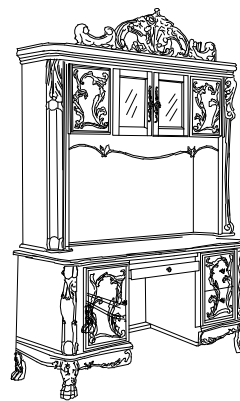
Step 4:





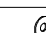
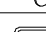

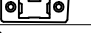
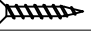
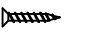
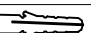
Step 5:



Finish :



Hardware List

No.:	Description	Drawing	Size	Q' ty
A	Bolt		Ø5/16"X2"	10
B	Lock Washer		Ø5/16"	10
C	Flat Washer		Ø5/16"X19mm	10
D	Allen Wrench		5mm	1
E	Fasten unit		44mmX20mm	4
F	Long Screw		Ø7mmX38mm	4
G	Short Screw		Ø6mmX16mm	4
H	Shrink bolt		Ø5/16"X1-1/2"	4
I	Safety bolt		8mmX250mm	2