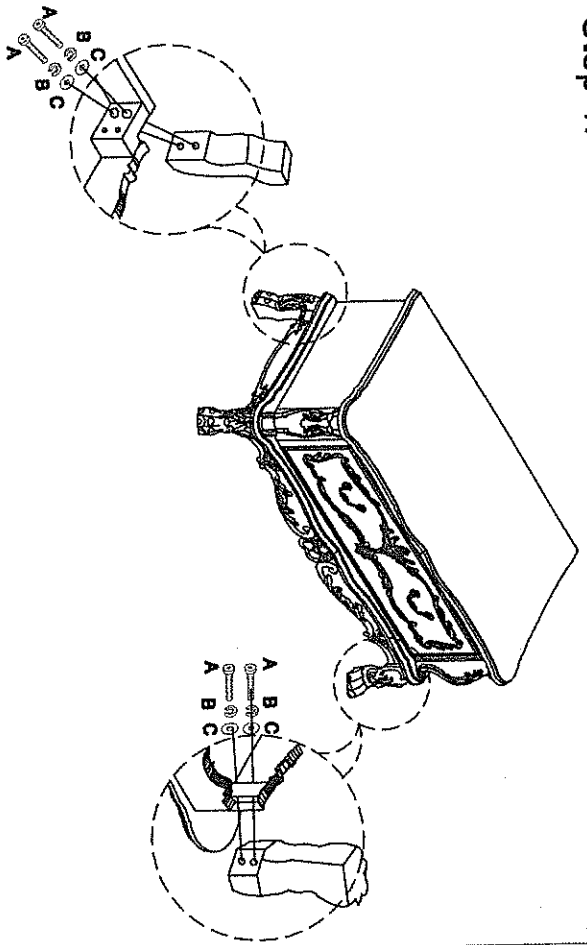


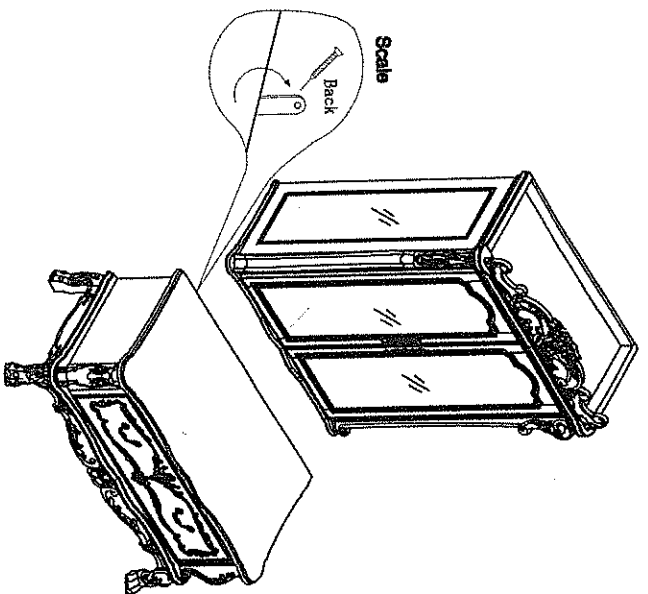
ASSEMBLY INSTRUCTION

Ichlanopp 12

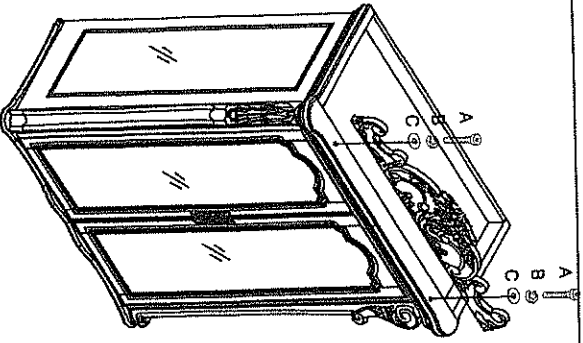
Step 1:



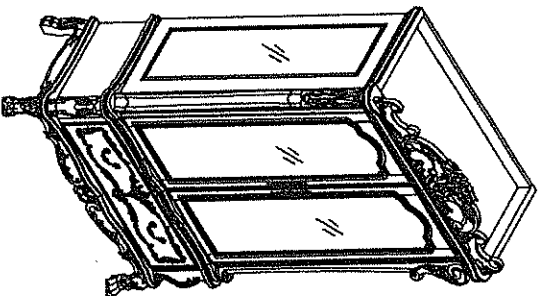
Step 3:



Step 2:



Finish :



Hardware List

No.	Description	Drawing	Size	Qty
A	Bot		5x16/2"	10
B	Lock Washer		Ø1/8" X 12mm	10
C	Flat Washer		Ø7/8" X 19mm	10
D	Allen Wrench		5mm	1