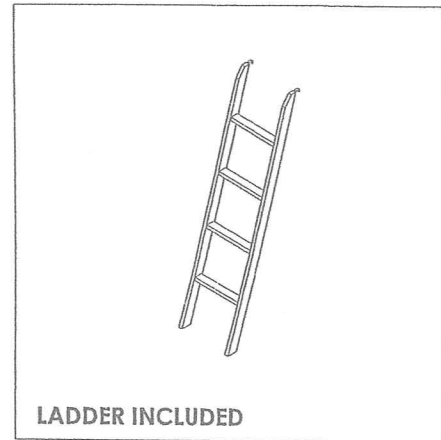
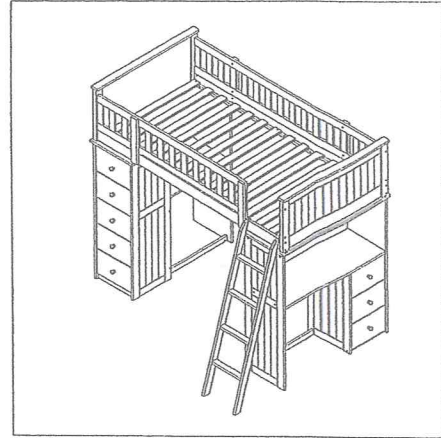
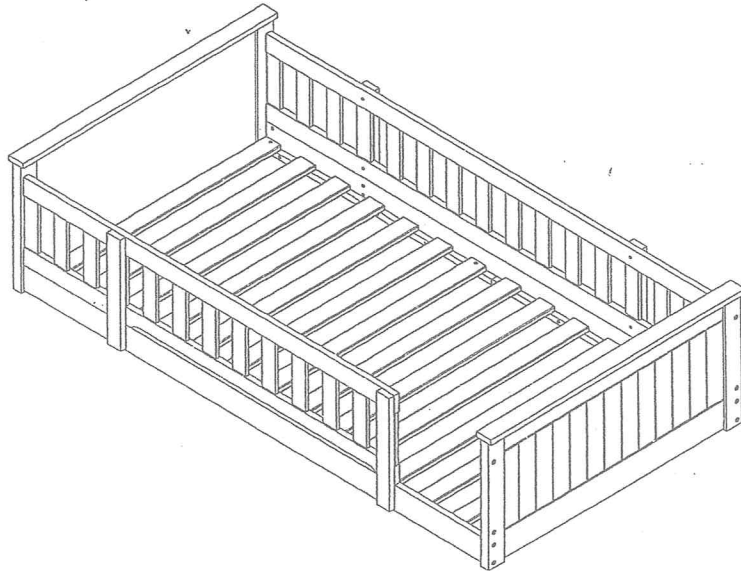


ASSEMBLY INSTRUCTION

Page 1

ACME FURNITURE

MODEL : 10970 - TWIN LOFT BUNK SET (990 X 1905)MM







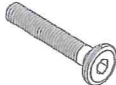

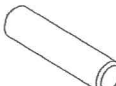

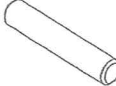

LADDER INCLUDED

**READ THESE INSTRUCTIONS CAREFULLY
BEFORE ATTEMPTING TO ASSEMBLE THIS BED.**

SAFETY WARNINGS AND GENERAL NOTES:

- Follow the information on the warnings on the bunk bed end structure and on the carton. Do not remove the warning label from the bed.
- Always use the recommended size mattress on mattress support, or both, to help prevent the likelihood of entrapment or falls. (See Page 7)
- The top surface of the mattress must be at least 5" (127mm) below the upper edge of the guardrails. (See Page 7)
- Do not allow children under 6 years of age to use the upper bunk.
- Periodically check and ensure the guardrail, ladder and other components are in their proper position, free from damage, and all connectors are tight.
- Prohibit horseplay on or under the bed. Always prohibit jumping on the bed.
- Prohibit more than one person on upper bunk.
- Always use the ladder for entering and leaving the upper bunk.
- Do not use substitute parts. Contact the manufacturer or dealer for replacement parts.
- Use of a night-light may provide added safety precaution for a child using the upper bunk.
- Always use guardrails on both long sides of the upper bunk.
- If the bunk bed will be placed next to a wall, the full guardrail of the bed should be placed against the wall to prevent entrapment between the bed and the wall.
- The use of water or sleep flotation mattresses is prohibited.
- Keep these instructions for future reference.
- We recommend assembling your bunk bed on the shipping carton to protect your floor or carpet. Be certain all staples are out of the box before beginning assembly on the shipping carton.
- **STRANGULATION HAZARD** - Never attach or hang items to any part of the bunk bed that are not designed for use with the bed; for example, but not limited to, hooks, belts, and jumping ropes.

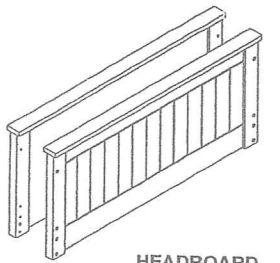
HARDWARE LIST :

ITEM	QTY	DESCRIPTION	ITEM	QTY	DESCRIPTION
A	14	 JCBC BOLT (M6 X 60MM)	F	10	 C/B SCREW (M3.5 X 16MM)
B	8	 JRN NUT (M6 X 13MM)	G	6	 C/B SCREW (M4 X 32MM)
C	16	 JCBC BOLT (M6 X 35MM)	H	4	 L BRACKET
D	4	 WOOD DOWEL (10 X 40MM)	I	4	 PLASTIC CAP
E	4	 METAL PIN (M9.5 X 48MM)	J	1	 ALLEN KEY

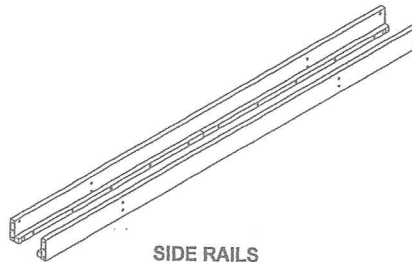
- The assembly will require at least two people to complete.
- Make sure all the fasteners are tight.
- Due to the size of this bed, It must be assembled within the space it will occupy.
- Above all, take your time and read the instruction carefully.

TOOLS REQUIRED :
 Crosshead Screwdriver
 Rubber Hammer

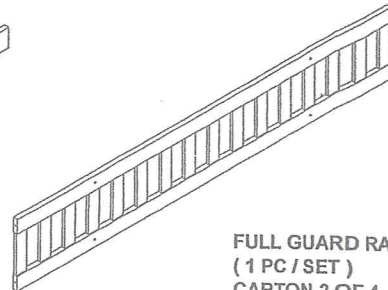
PART LIST :



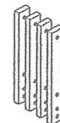
HEADBOARD
(2 PCS / SET)
CARTON 1 OF 4



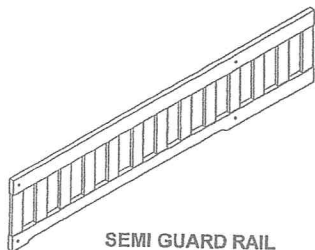
SIDE RAILS
(2 PCS / SET)
CARTON 2 OF 4



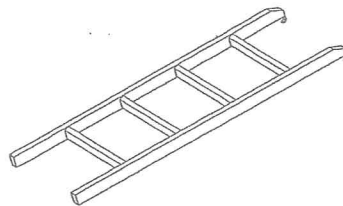
FULL GUARD RAIL
(1 PC / SET)
CARTON 2 OF 4



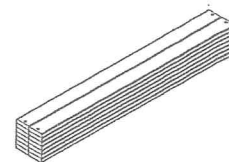
RAIL SUPPORTERS
(4 PCS / SET)
CARTON 2 OF 4



SEMI GUARD RAIL
(1 PC / SET)
CARTON 2 OF 4



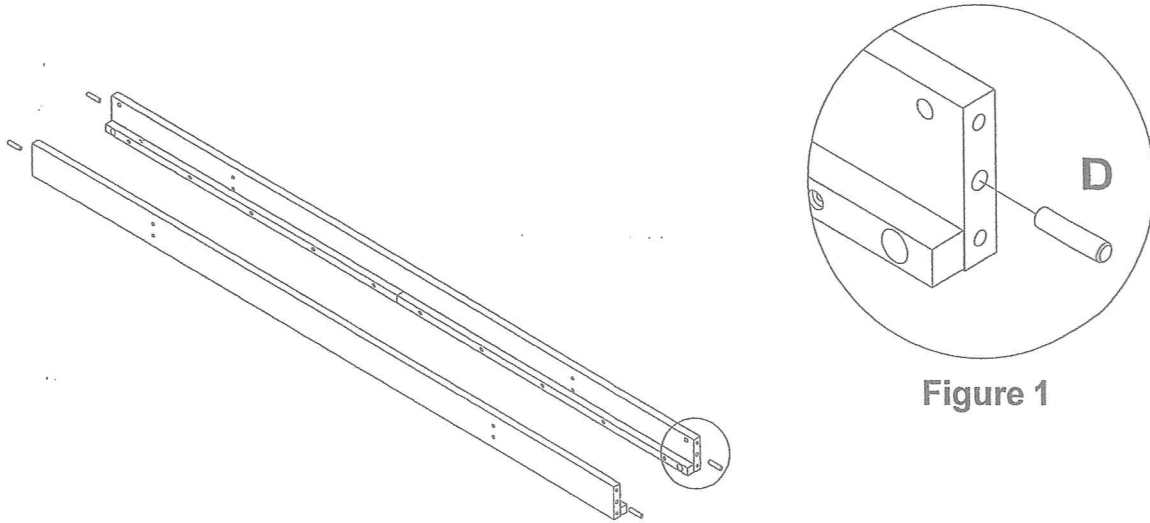
LADDER
(1 PC / SET)
CARTON 2 OF 4



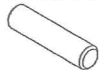
WOODEN SLATS
(14 PCS / SET)
CARTON 1 OF 4

STEP 1

1. Insert **WOOD DOWELS (D)** into the Ø10mm holes in each **SIDERAILS** as shown in **Figure 1**.

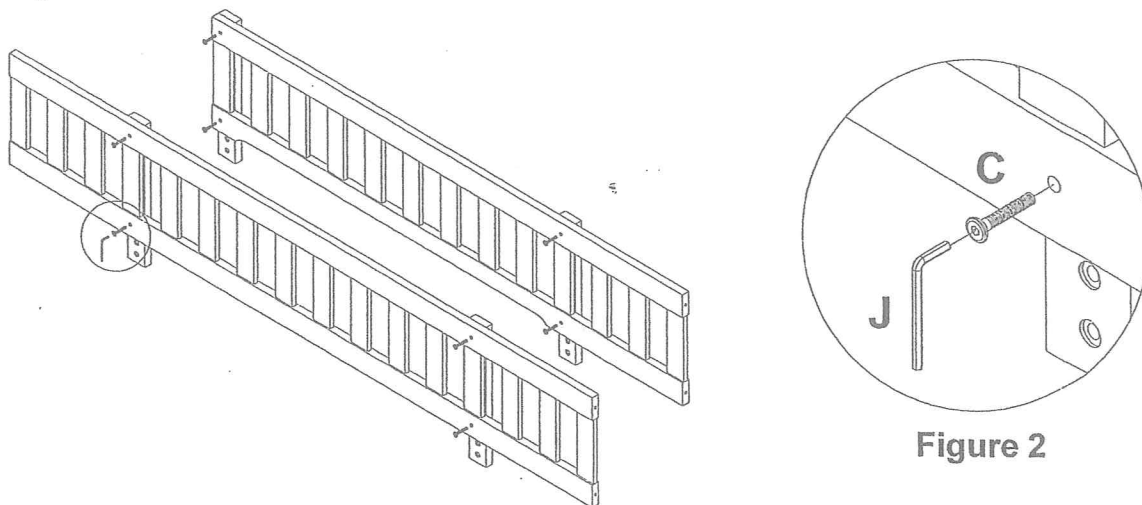


HARDWARE USED IN THIS STEP



D	4		WOOD DOWEL (10 X 40MM)
---	---	--	-----------------------------------

STEP 2

1. Attach **RAIL SUPPORTS** to **SEMI GUARDRAIL & FULL GUARDRAIL** by using **JCBC Bolts (C)**.
 2. Tighten it up by using an **ALLEN KEY (J)**.



HARDWARE USED IN THIS STEP

C	8		JCBC BOLT (M6 X 35MM)
J	1		ALLEN KEY

STEP 3

1. Insert JRN NUTS (B) into the holes in each SIDERAILS as shown in Figure 3.
2. Attach the HEADBOARDS to the SIDERAILS as shown using JCBC BOLTS (A) and tighten it up by using an ALLEN KEY (J).

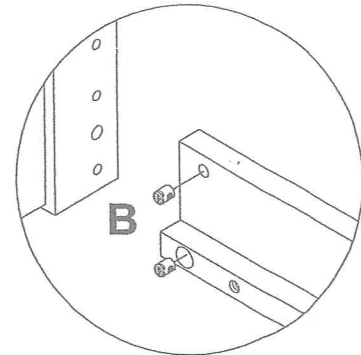
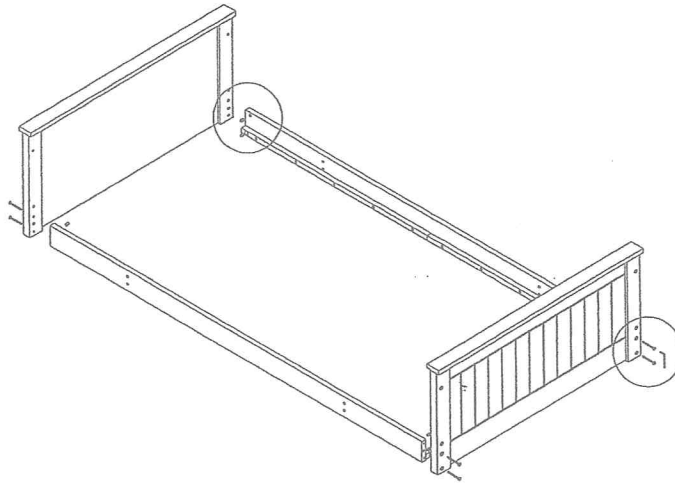


Figure 3

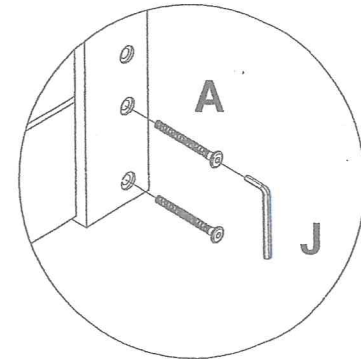


Figure 4

HARDWARE USED IN THIS STEP

A	8		JCBC BOLT (M6 X 60MM)
B	8		JRN NUT (M6 X 13MM)
J	1		ALLEN KEY

STEP 4

1. Attach SEMI GUARDRAIL & FULL GUARDRAIL to bed frame.
2. Insert JCBC BOLTS (C) into both SIDERAILS, tighten it up by using an ALLEN KEY (J).
3. Insert JCBC BOLTS (A) into holes on HEADBOARDS as seen on Figure 6, tighten it up by using an ALLEN KEY (J).

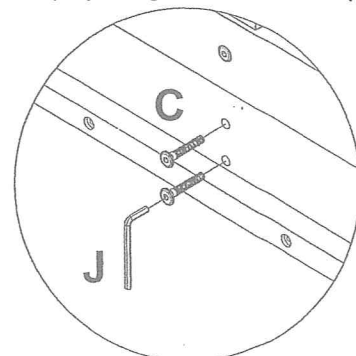
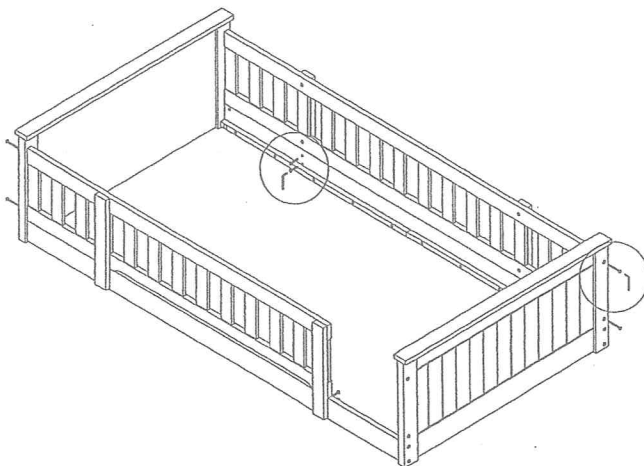


Figure 5

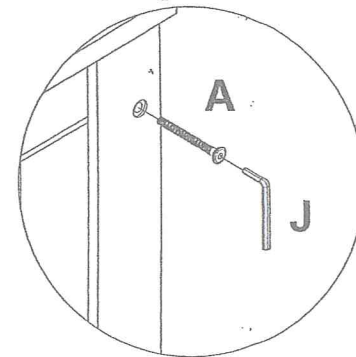


Figure 6

HARDWARE USED IN THIS STEP

A	6		JCBC BOLT (M6 X 60MM)
C	8		JCBC BOLT (M6 X 35MM)
J	1		ALLEN KEY

STEP 5

1. Attach Loft Bunk on the Chest & Desk using METAL PIN (E) as shown in Figure 7 to connect .
2. Attach L BRACKET (H) to Slat Supporter and screw C/B SCREW (F) down by using a Crosshead Screw Driver.

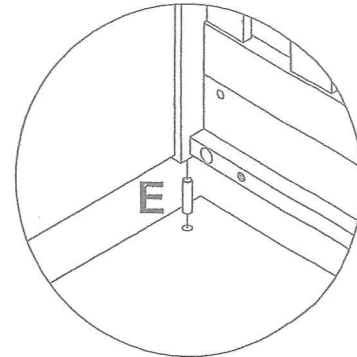
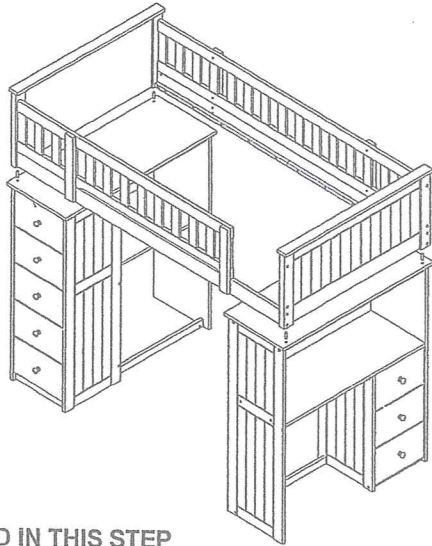


Figure 7

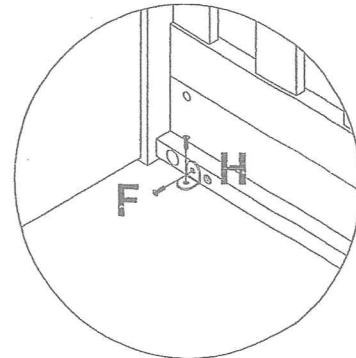
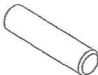




Figure 8

HARDWARE USED IN THIS STEP

E	4		METAL PIN (M9.5 X 48MM)
H	4		L BRACKET
F	8		C/B SCREW (M3.5 X 16MM)

STEP 6

1. Attach WOODEN SLATS onto the bed frame by using C/B SCREW (G).
2. Tighten it up by using a Crosshead Screw Driver.

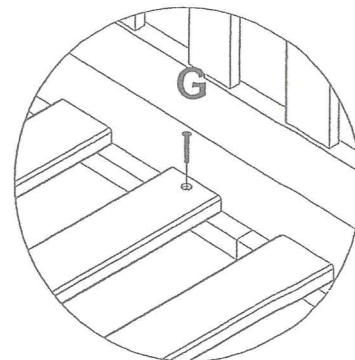
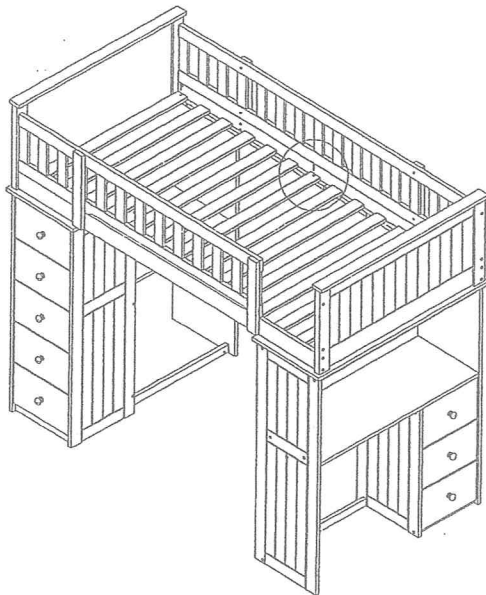



Figure 9

HARDWARE USED IN THIS STEP

G	6		C/B SCREW (M4 X 32MM)
---	---	---	--------------------------

STEP 7

1. Insert **PLASTIC CAP (I)** to cover both sides of holes on **HEADBOARD** post.
2. Hook **LADDER** on the **SIDE RAIL**. Screw **C/B SCREW (F)** in.
3. Tighten it up by using a Crosshead Screw Driver.

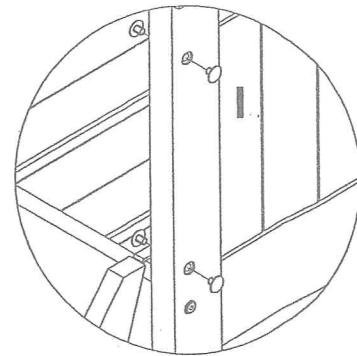
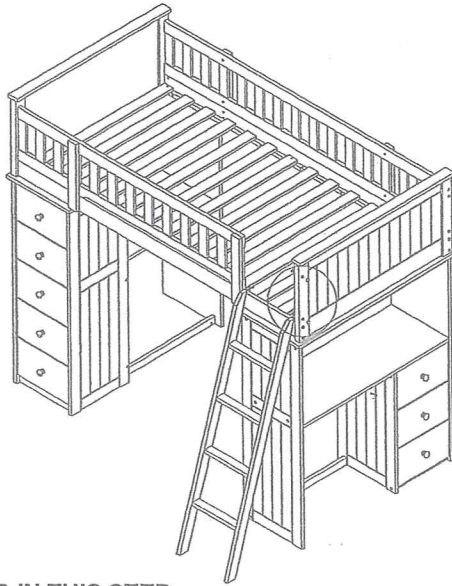


Figure 10

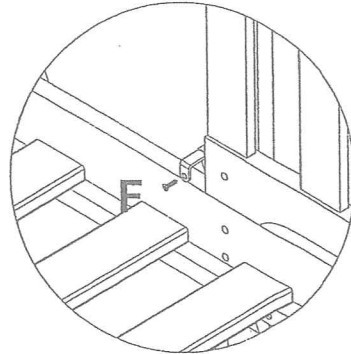


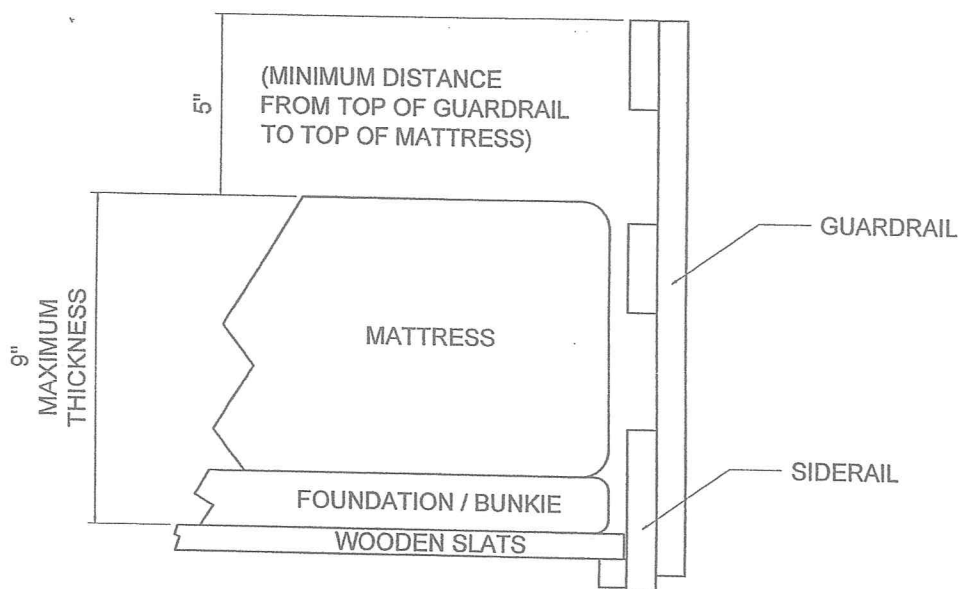


Figure 11

HARDWARE USED IN THIS STEP

I	4		PLASTIC CAP
F	2		C/B SCREW (M3.5 X 16MM)

BEDDING SPECIFICATION



MATTRESS SIZE

Upper Bed Mattress Specification :

* Only use a mattress that is 74" - 75" long and 37 1/2" - 38 1/2" wide on upper bunk of the 3/3 Twin size bed.

* Ensure thickness of mattress and foundation combined does not exceed 9".

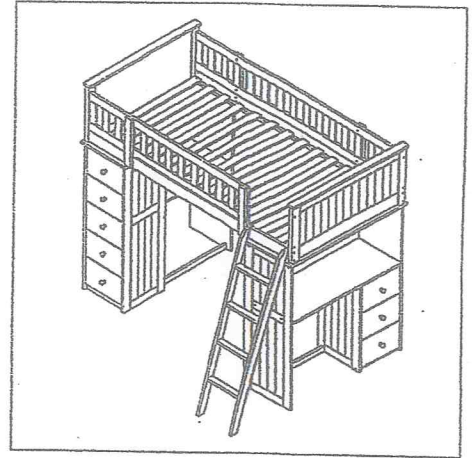
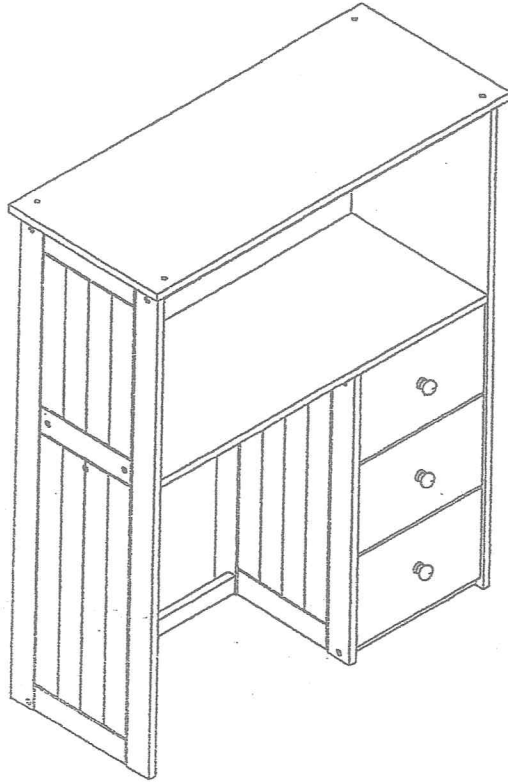
Replacement parts :

Replacement parts, including additional guard rails, can be obtained from any ACME Furniture distributor or retailer.

ASSEMBLY INSTRUCTION

MODEL : 10970 - TWIN LOFT BUNK SET - 3 DRAWERS DESK




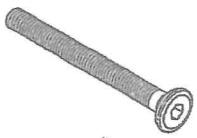






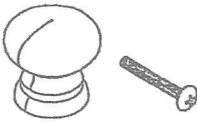
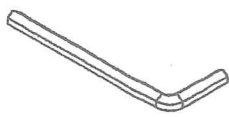
ACME FURNITURE



PAGE 1 OF 7

WS 1005-3DW CB1 - ACME-129473-02

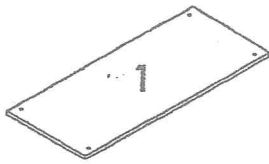
HARDWARE LIST

<p>A 24 PCS</p>  <p>PLASTIC DOWEL (M6 x 30MM)</p>	<p>B 24 PCS</p>  <p>PLASTIC DOWEL (M8 x 30MM)</p>	<p>C 10 PCS</p>  <p>JCBC BOLT (M6 x 35MM)</p>
<p>D 20 PCS</p>  <p>JCBC BOLT (M6 x 60MM)</p>	<p>E 20 PCS</p>  <p>JRN NUT (M6 x 13MM)</p>	<p>F 10 PCS</p>  <p>CONNECTING BOLT</p>
<p>G 4 PCS</p>  <p>MINI FIT (BIG)</p>	<p>H 6 PCS</p>  <p>MINI FIT (SMALL)</p>	<p>I 4 PCS</p>  <p>CSK C/B SCREW (M3.5 x 16MM)</p>
<p>J 8 PCS</p>  <p>CSK C/B SCREW (M4 x 32MM)</p>	<p>K 3 PCS</p>  <p>WOOD KNOB WITH P/H SCREW</p>	<p>L 1 PC</p>  <p>ALLEN KEY (M4 x 60MM)</p>

Tools Required : Crosshead Screw Driver,
Rubber Hammer

PAGE 1 OF 7

WS 1005-3DW CB1 - ACME-129473-02



TOP PANEL
1 PC / SET
(CARTON 3 OF 4)



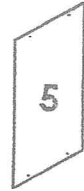
SIDE PANEL (L)
1 PC / SET
(CARTON 3 OF 4)



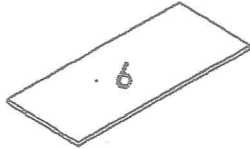
SIDE PANEL (R)
1 PC / SET
(CARTON 3 OF 4)



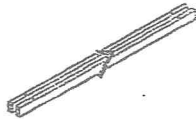
CENTER PANEL
1 PC / SET
(CARTON 3 OF 4)



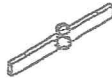
BACK PANEL
1 PC / SET
(CARTON 3 OF 4)



SHELF
1 PC / SET
(CARTON 3 OF 4)



TOP RAIL
2 PCS / SET
(CARTON 3 OF 4)



CENTER RAIL
1 PC / SET
(CARTON 3 OF 4)



BOTTOM RAIL
1 PC / SET
(CARTON 3 OF 4)



SHORT RAIL (TOP)
2 PCS / SET
(CARTON 3 OF 4)



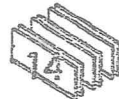
SHORT RAIL (CENTER)
2 PCS / SET
(CARTON 3 OF 4)



SHORT RAIL (BOTTOM)
2 PCS / SET
(CARTON 3 OF 4)



DRAWER FACE
3 PCS / SET
(CARTON 3 OF 4)



DRAWER SIDE (L) & (R)
6 PCS / SET
(CARTON 3 OF 4)

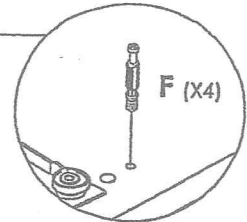
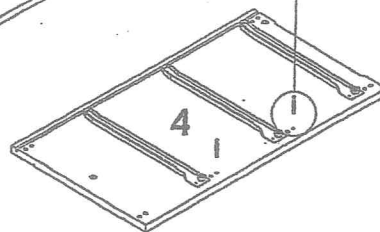
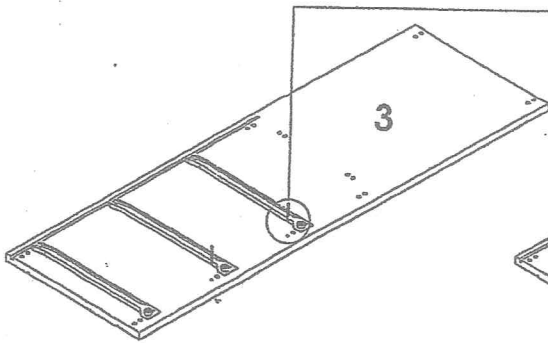


DRAWER REAR
3 PCS / SET
(CARTON 3 OF 4)



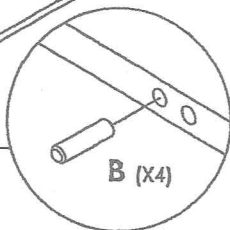
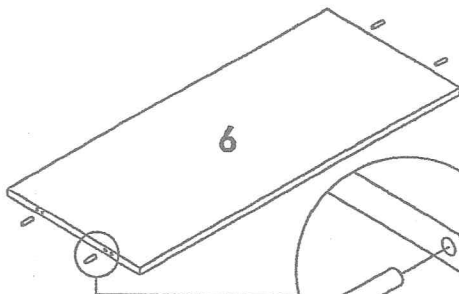
DRAWER BASE
3 PCS / SET
(CARTON 3 OF 4)

1. Attach (F) to 3 and 4.



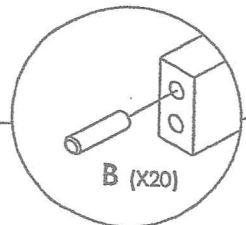
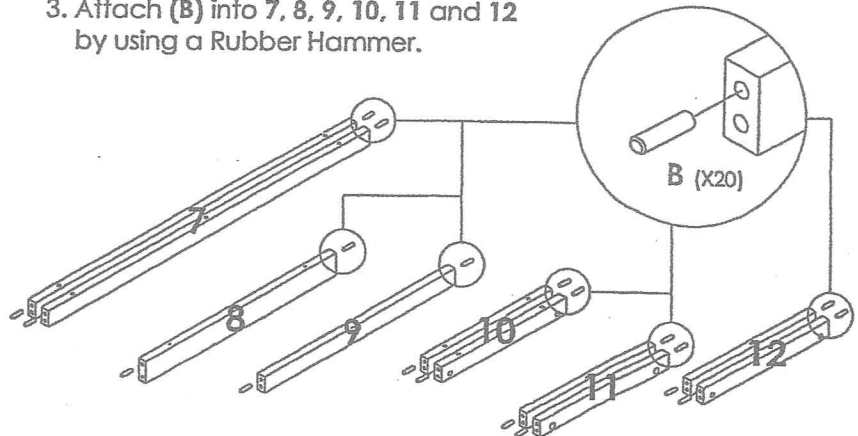
F (X4)

2. Attach (B) into 6 by using a Rubber Hammer.



B (X4)

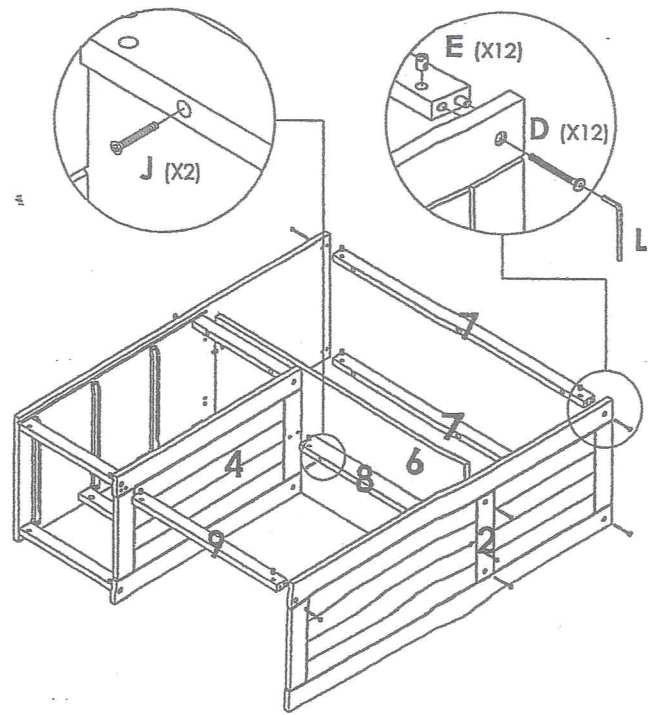
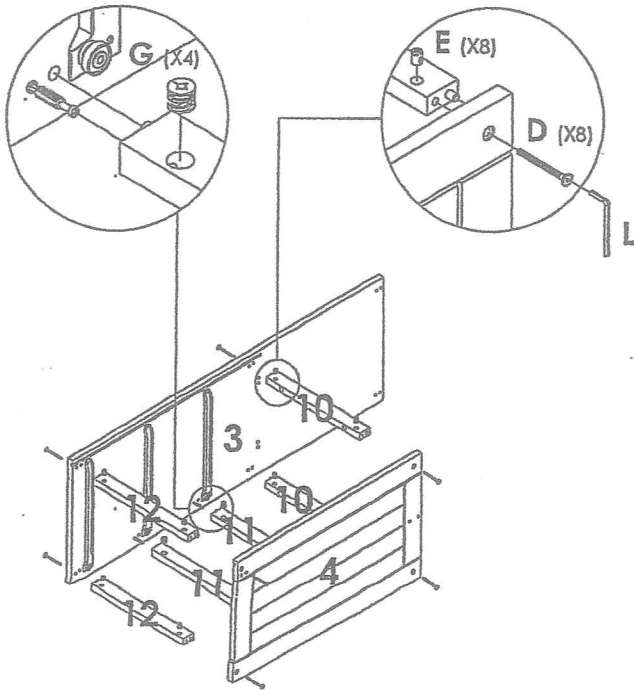
3. Attach (B) into 7, 8, 9, 10, 11 and 12 by using a Rubber Hammer.



B (X20)

4. Attach 11 to 3 & 4 by using (G), tighten it up by using (L). Attach 10 & 12 to 3 & 4 by using (D) & (E) to secure, tighten it up by using (L).

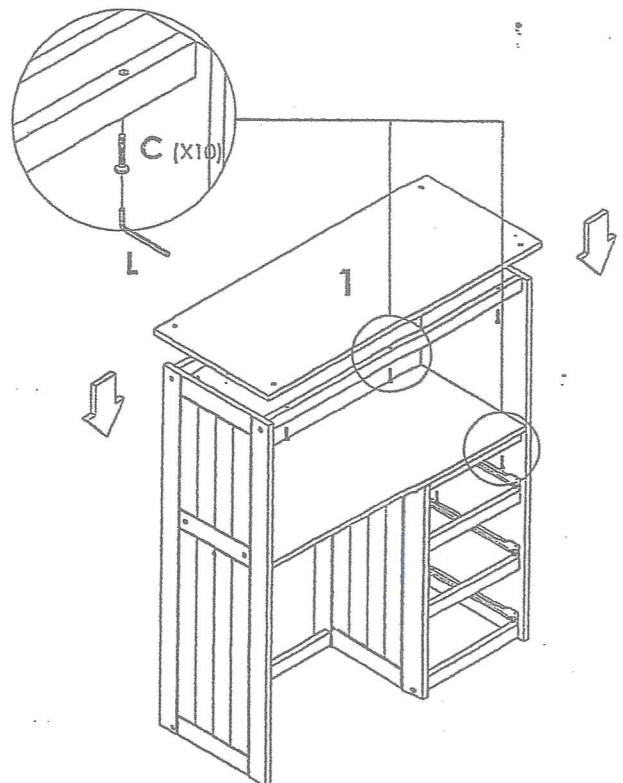
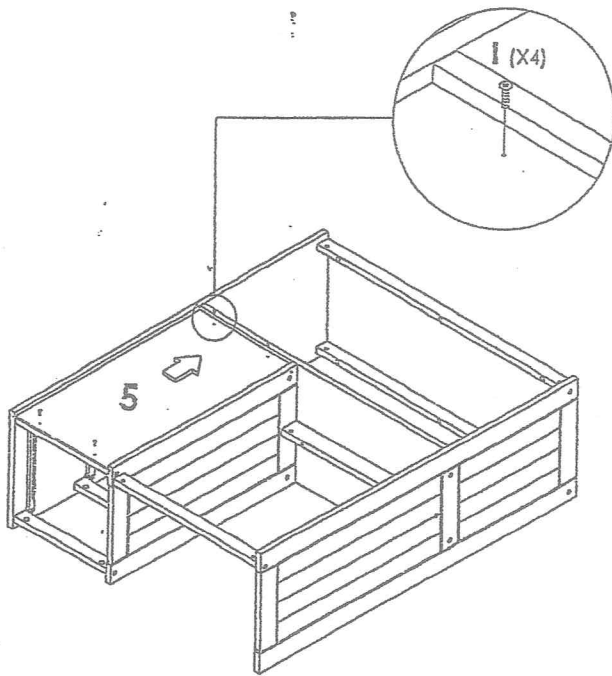
5. Attach 6,7,8 & 9 to 2 and previous assembly by using (D) & (E) to secure, tighten it up by using (L). Secure 8 to 6 by using (J), tighten it up by using a Crosshead Screw Driver.



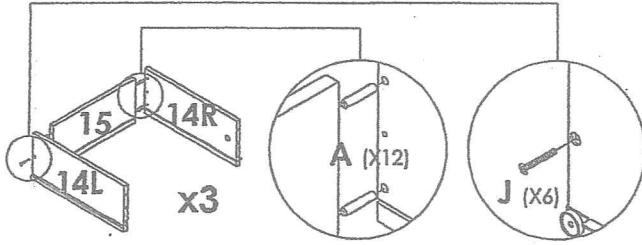
5 of 7

by using a Crosshead Screw Driver.

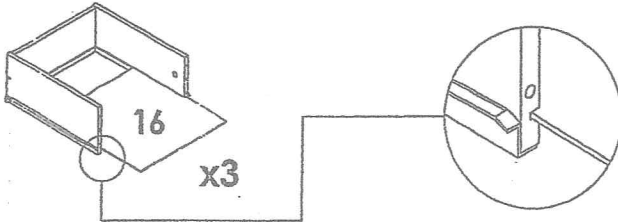
tighten it up by using (L).



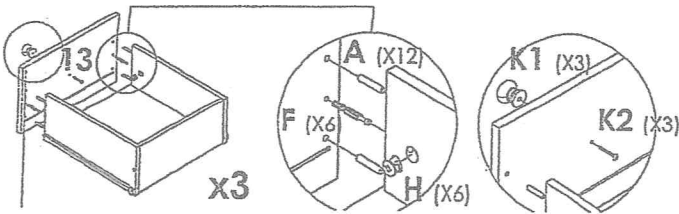
8. Attach and secure 14 to 15 by using (A) & (J).



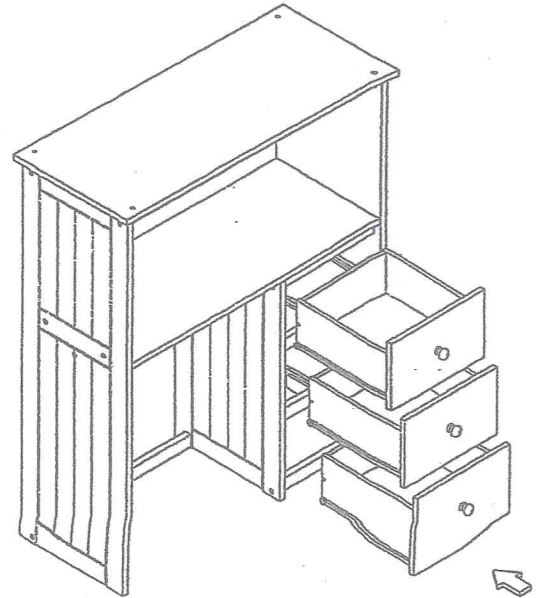
9. Slot 16 into 14 & 15.



10. Attach 13 to previous assembly by using (A),(F) & (H), follow it up by attaching (K) onto 13 by screwing in from behind.



11. Insert the drawers into assembly.

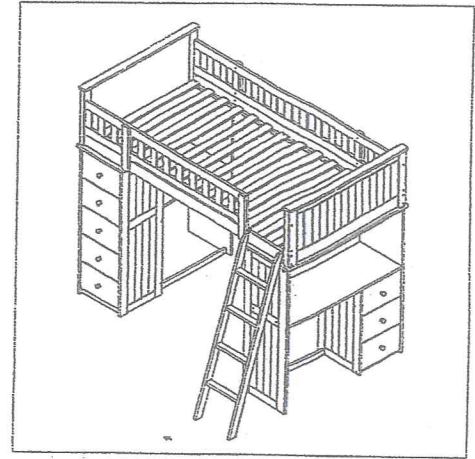
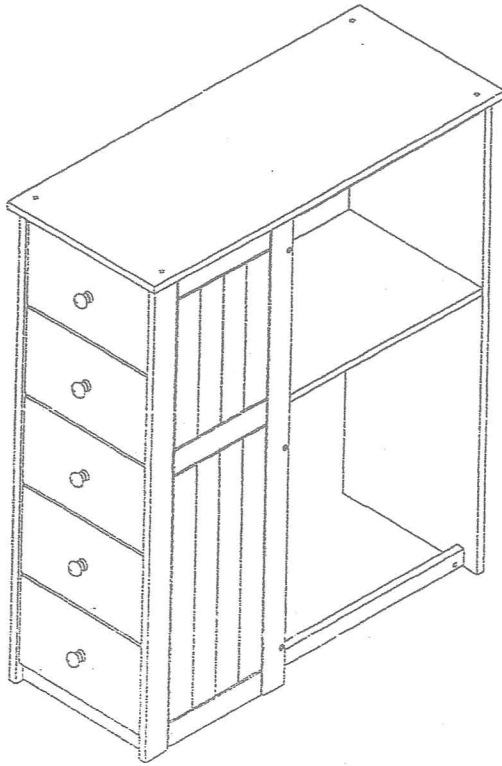


2 of 7

ASSEMBLY INSTRUCTION

MODEL : 10970 - TWIN LOFT BUNK SET - 5 DRAWERS CHEST




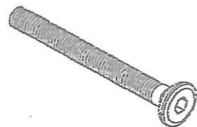





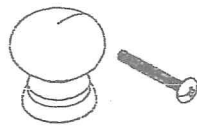

ACME FURNITURE



PAGE 1 OF 7

WS 1005 - SDW CHEST - ACME - 110624 - 01

HARDWARE LIST

<p>A 40 PCS</p>  <p>PLASTIC DOWEL (M6 x 30MM)</p>	<p>B 22 PCS</p>  <p>PLASTIC DOWEL (M8 x 30MM)</p>	<p>C 12 PCS</p>  <p>JCBC BOLT (M6 x 35MM)</p>
<p>D 10 PCS</p>  <p>JCBC BOLT (M6 x 60MM)</p>	<p>E 10 PCS</p>  <p>JRN NUT (M6 x 13MM)</p>	<p>F 22 PCS</p>  <p>CONNECTING BOLT</p>
<p>G 12 PCS</p>  <p>MINI FIT (BIG)</p>	<p>H 10 PCS</p>  <p>MINI FIT (SMALL)</p>	<p>I 10 PCS</p>  <p>CSK C/B SCREW (M4 x 32MM)</p>
<p>J 5 PCS</p>  <p>WOOD KNOB WITH THM SCREW</p>	<p>K 1 PC</p>  <p>ALLEN KEY (M4 x 60MM)</p>	

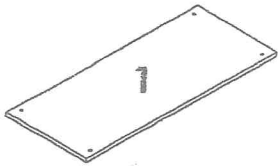
Tool Required : Crosshead Screw Driver
Rubber Hammer

PAGE 2 OF 7

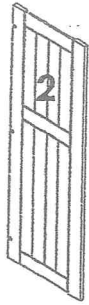
WS 1005 - SDW CHEST - ACME - 110624 - 01

PARTS LIST

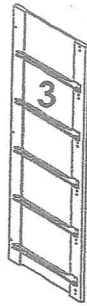
5DW



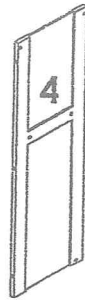
TOP PANEL
1 PC / SET
(CARTON 4 OF 4)



SIDE PANEL (L)
1 PC / SET
(CARTON 4 OF 4)



SIDE PANEL (R)
1 PC / SET
(CARTON 4 OF 4)



CENTER PANEL
1 PC / SET
(CARTON 4 OF 4)



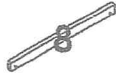
BACK PANEL
1 PC / SET
(CARTON 4 OF 4)



SHELF
1 PC / SET
(CARTON 4 OF 4)



TOP RAIL
2 PCS / SET
(CARTON 4 OF 4)



BOTTOM RAIL
1 PC / SET
(CARTON 4 OF 4)



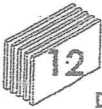
SHORT RAIL (TOP)
1 PC / SET
(CARTON 4 OF 4)



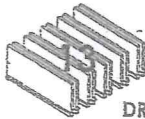
SHORT RAIL (CENTER)
4 PCS / SET
(CARTON 4 OF 4)



SHORT RAIL (BOTTOM)
1 PCS / SET
(CARTON 4 OF 4)



DRAWER FACE
5 PCS / SET
(CARTON 4 OF 4)



DRAWER SIDE L & R
10 PCS / SET
(CARTON 4 OF 4)

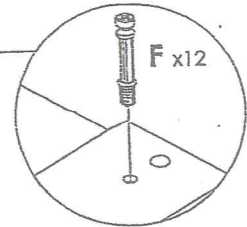
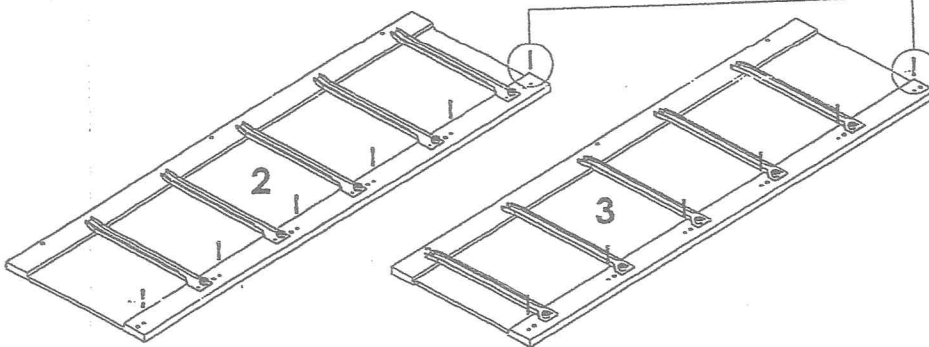


DRAWER REAR
5 PCS / SET
(CARTON 4 OF 4)

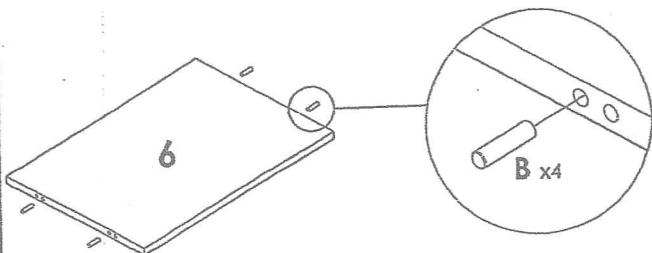


DRAWER BASE
5 PCS / SET
(CARTON 4 OF 4)

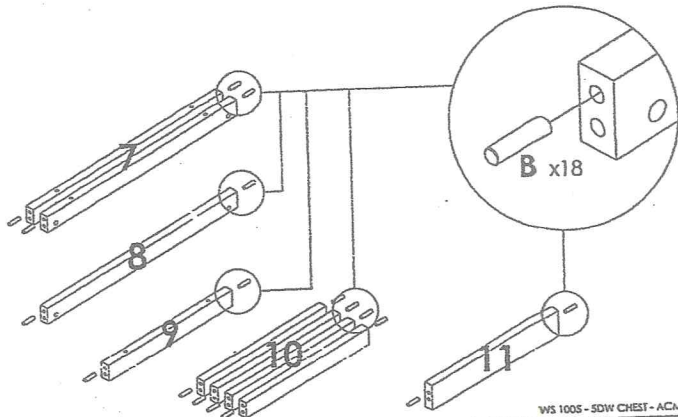
1. Attaching F to 2 & 3.



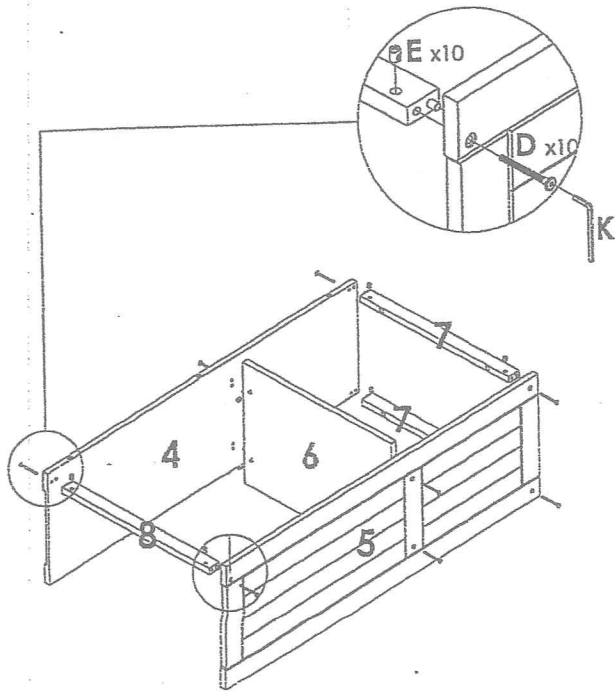
2. Attaching B to 6.



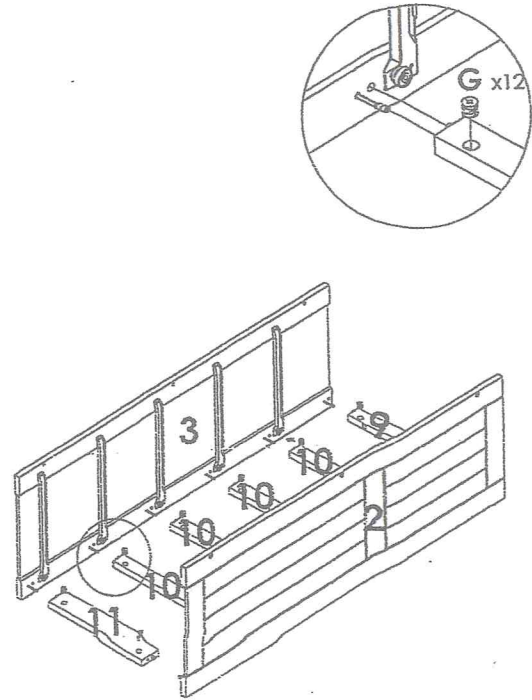
3. Attaching B to 7, 8, 9, 10 & 11.



4. Attaching 6, 7, 8 to 4, 5, use D & E to secure and tighten up by K.

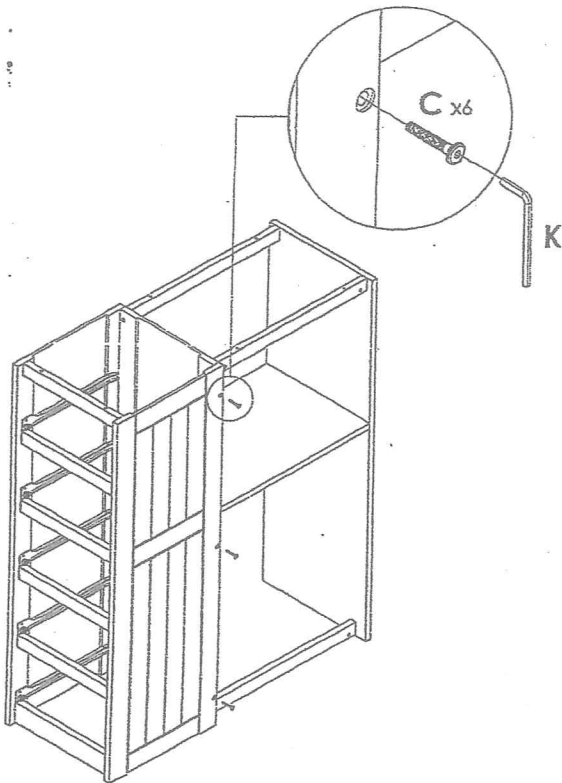


5. Attaching 9, 10, 11 to 2, 3, use G to secure and tighten up by Screw Driver.

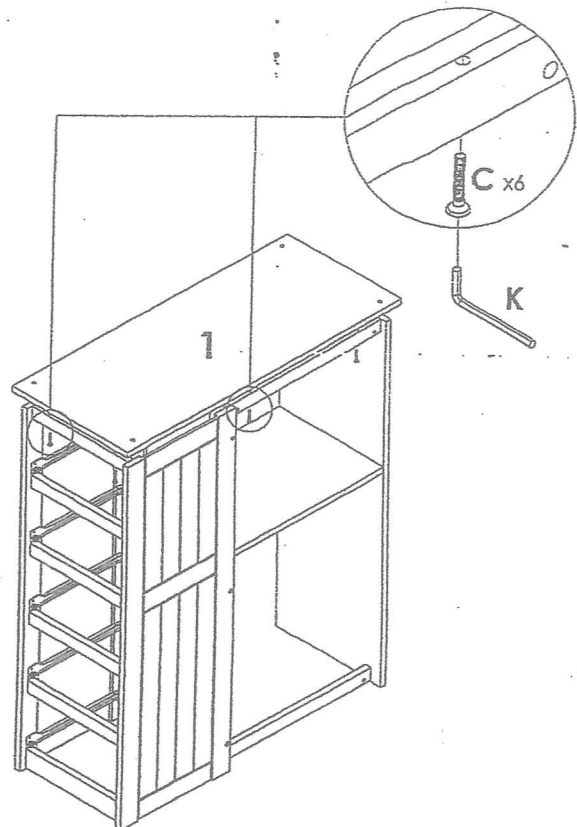


5 of 7

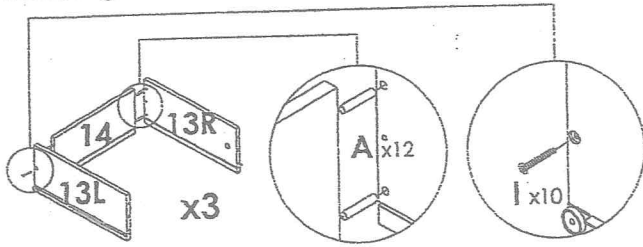
by K.



by K.

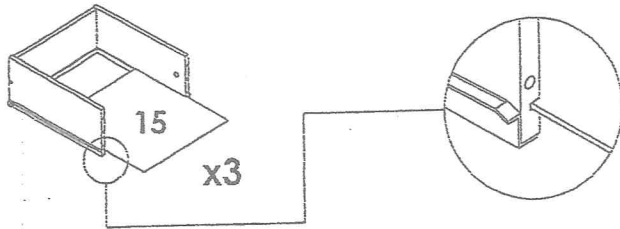


8. Attaching and securing 13 to 14 use A & I.



11. Insert the Drawers and complete assembly.

9. Slotting 15 into 13 & 14.



10. Attaching 12 to 13 use A, F & H, attaching J to drawers and tighten up Screw Driver.

