

# Assembly Instruction

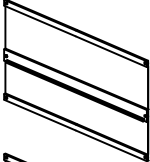

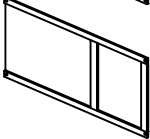

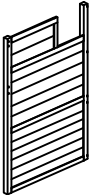

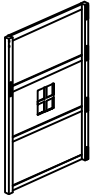


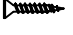
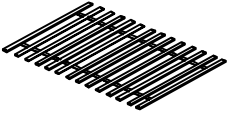
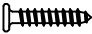
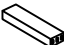


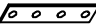


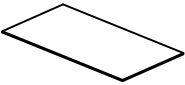

## Boys Tree-house Loft Bed #10160

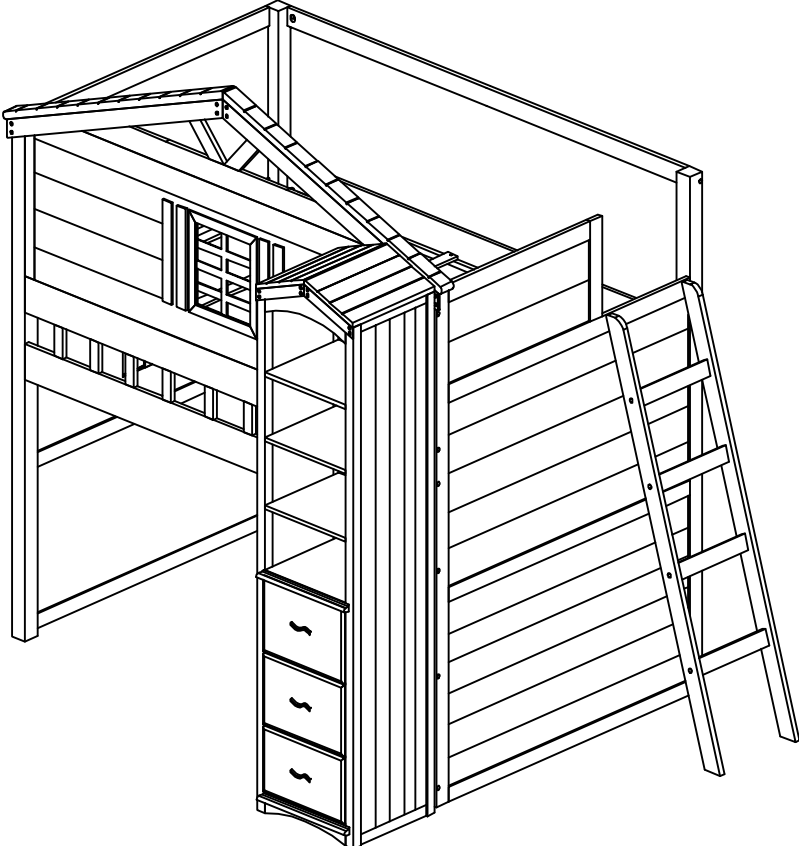
Thank you for purchasing this quality product. Be sure to check all packing material carefully for small parts which may have come loose inside the carton during shipment. Separate, identify and count all parts and metal hardware. Compare with parts list to be sure all parts are present. If any part(s) are missing or damaged, please contact your local furniture dealer. For efficient and speedy service, please indicate the model number and code letter of part(s) needed.

**\*\*\* Do not fully tighten screws until fully assembled \*\*\***

**Use only mattress which is 74"-75" long and 37 1/2"-38 1/2" wide on upper bunk**

### Parts list & Illustration:

	<p><b>(A)</b> BACK UPPER PANEL - 1PC</p>	<p><b>(1A)</b>  LONG BOLT 6.3X30 - 12 PCS</p>	
	<p><b>(B)</b> BACK LOWER PANEL - 1PC</p>	<p><b>(1B)</b>  LONG BOLT 6.3X40 - 7 PCS</p>	
	<p><b>(C)</b> SIDE ASS'Y - 1PC</p>	<p><b>(2)</b>  ALLEN KEY - 1 PC</p>	
	<p><b>(D)</b> SIDE ASS'Y - 1PC</p>	<p><b>(3)</b>  LONG SCREW 4X35mm - 28 PCS</p>	
	<p><b>(E)</b> FRONT ASS'Y - 1PC</p>	<p><b>(4)</b>  SHORT SCREW 4X20mm - 6 PCS</p>	
	<p><b>(F)</b> SLAT - 1SET X 6PCS</p>	<p><b>(5)</b>  LONG SCREW BOLT 7X35mm - 10 PCS</p>	
	<p><b>(G)</b> LADDER STEP - 5 PCS</p>	<p><b>(6)</b>  WOOD DOWEL 10X35mm - 4 PCS</p>	
	<p><b>(H)</b> LADDER SIDE - 2 PCS</p>	<p><b>(7)</b>  BRACKET 1 PC</p>	
	<p><b>(I)</b> SIDE PANEL - 1 PC</p>	<p><b>(8)</b>  L BRACKET SHELF SUPPORTER - 4 PC</p>	
	<p><b>(J)</b> TABLE PANEL - 1 PC</p>	<p><b>(9)</b>  SHORT SCREW 3.5X15mm - 4 PCS</p>	



**Attention:**

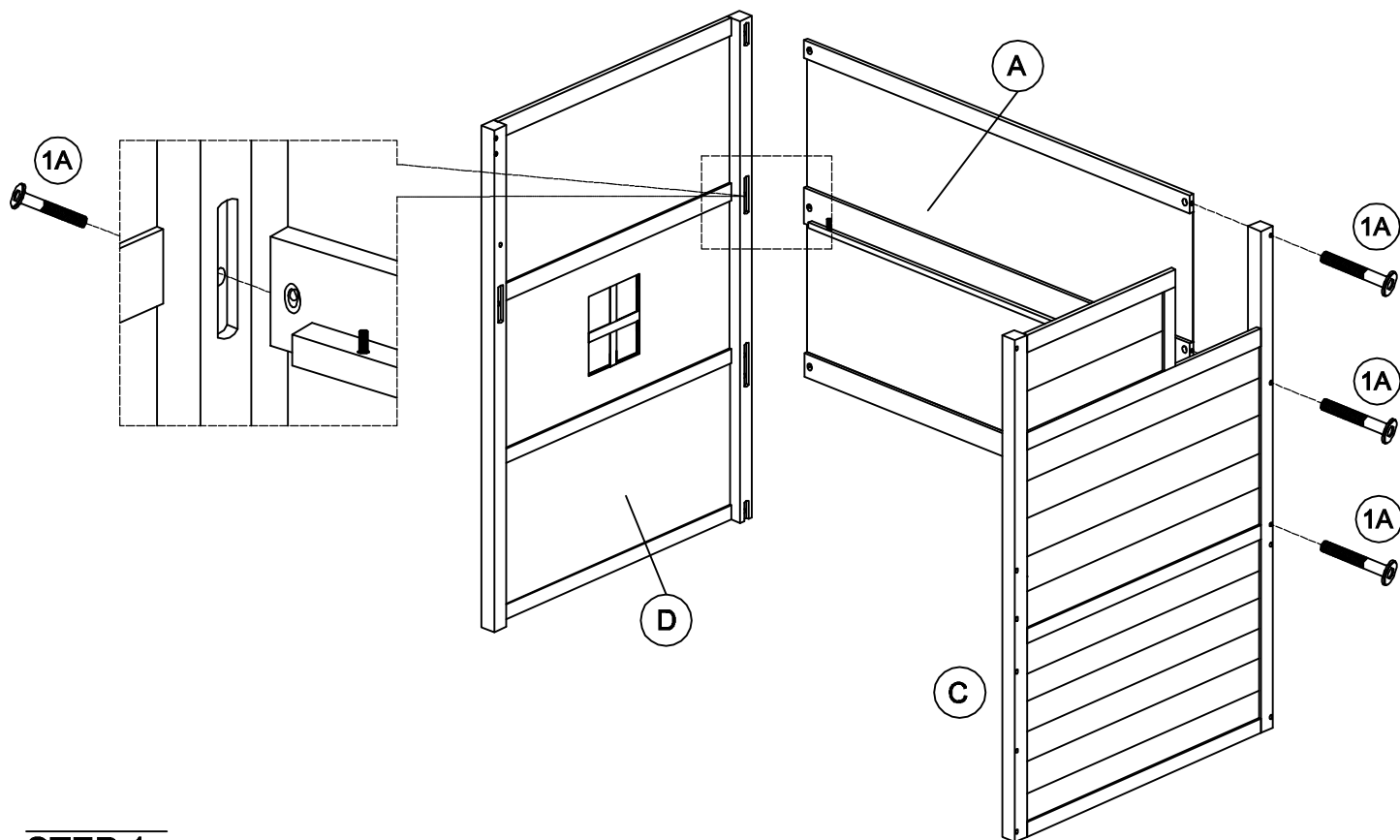
\*\*\* Mattresses not included.

\*\*\* Some number parts listed on the instruction sheet may not be in parts bag as they may already be assembled.

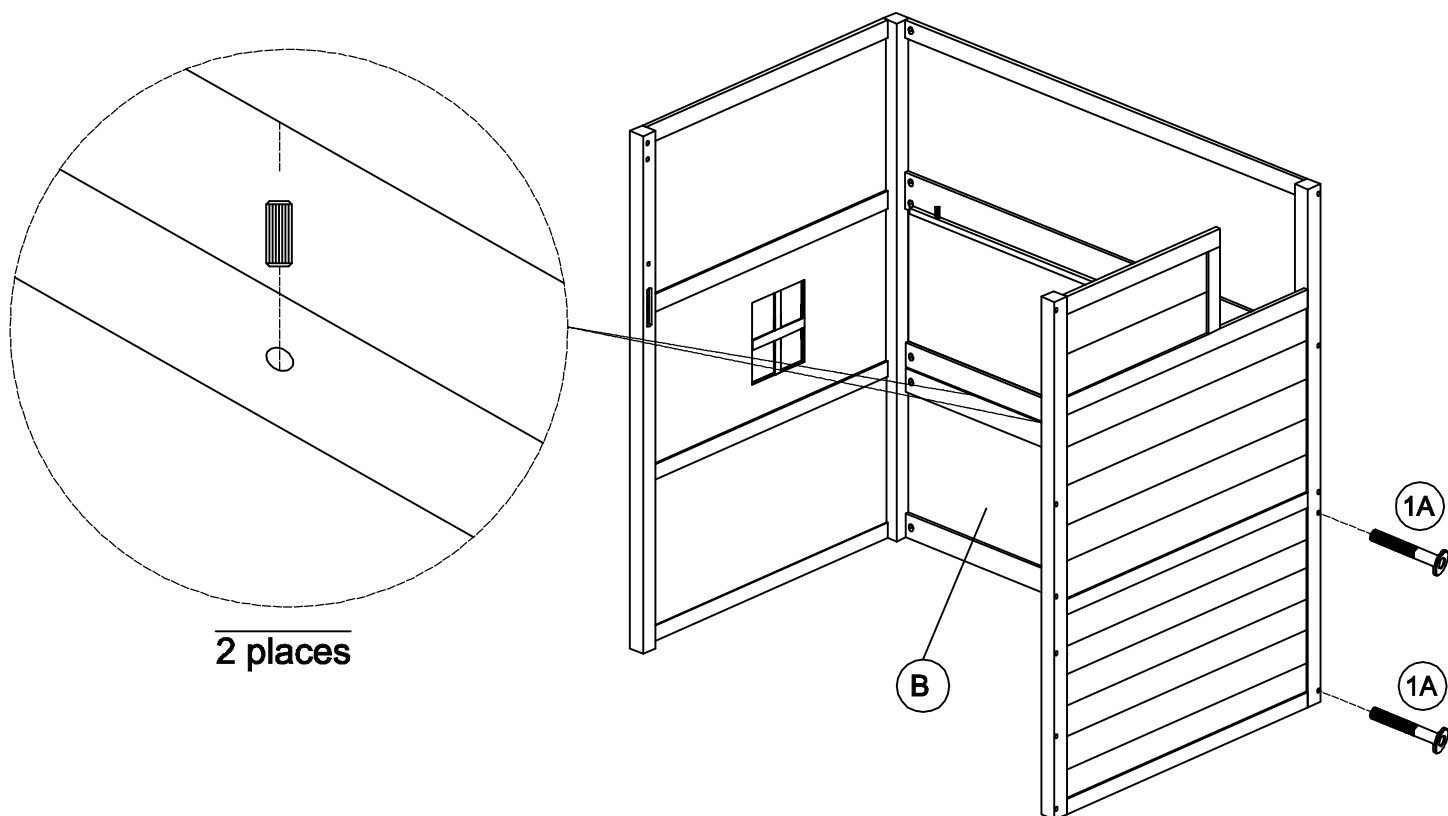
Carefully check parts and packing materials prior to ordering replacements.

# Assembly Instruction

## Boys Tree-house Loft Bed #10160

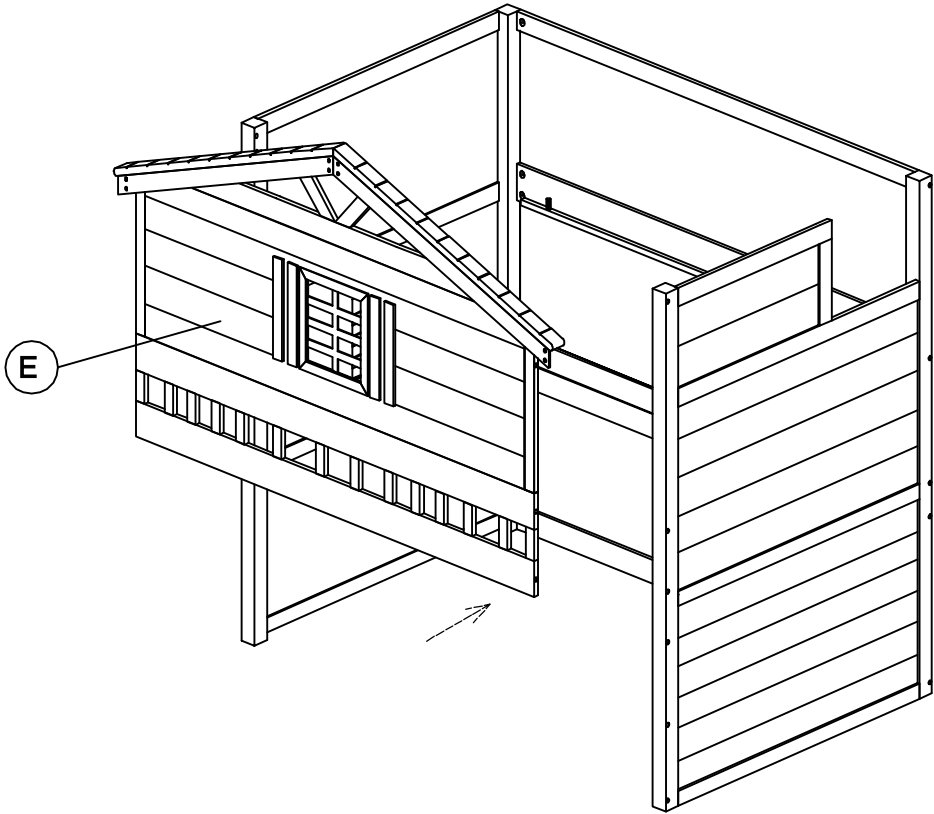


**STEP 1:**

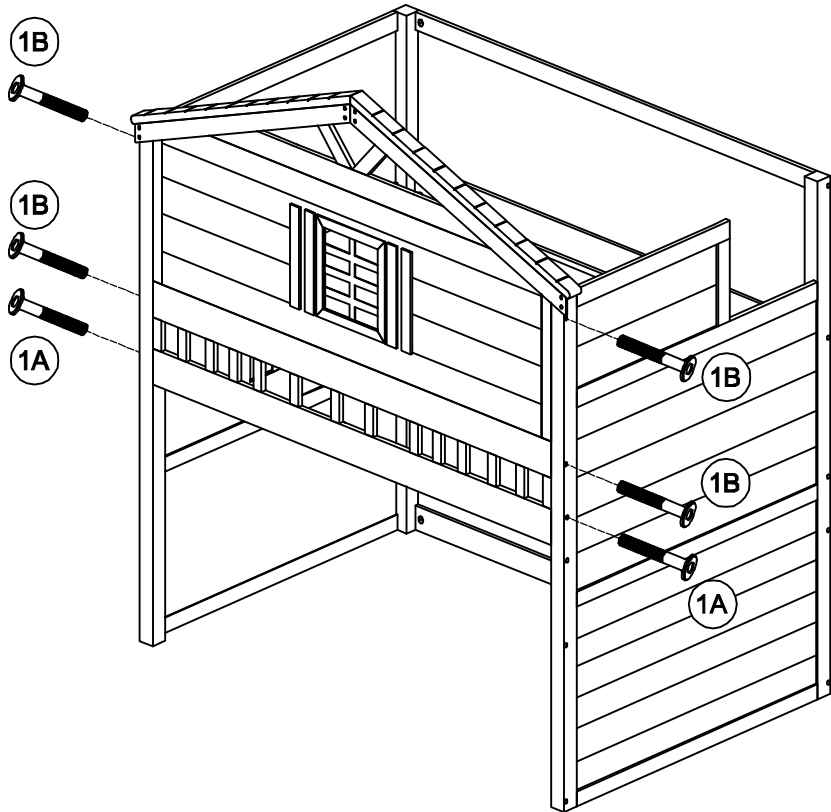


**STEP 2:**

Assembly Instruction  
Boys Tree-house Loft Bed #10160



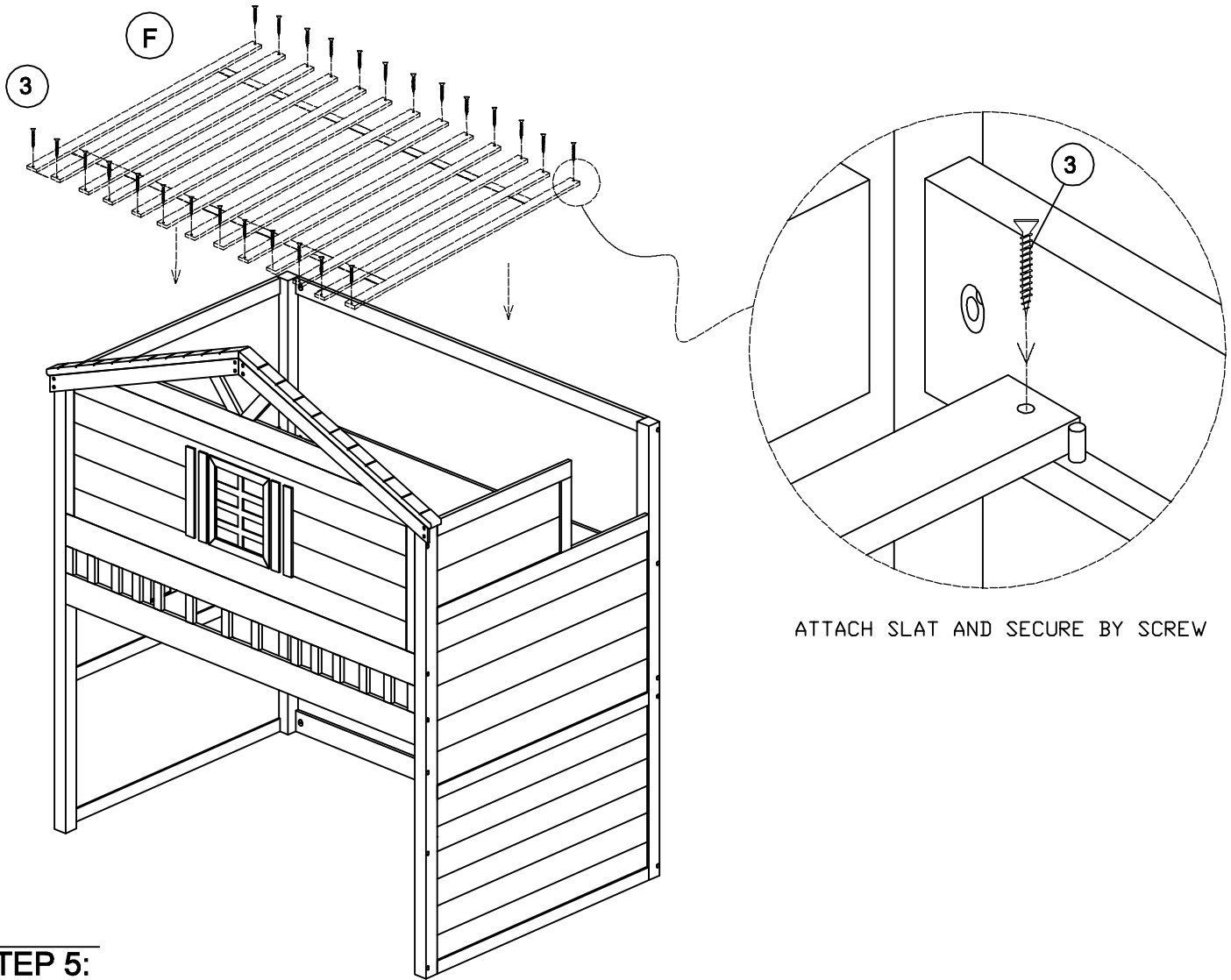
STEP 3:



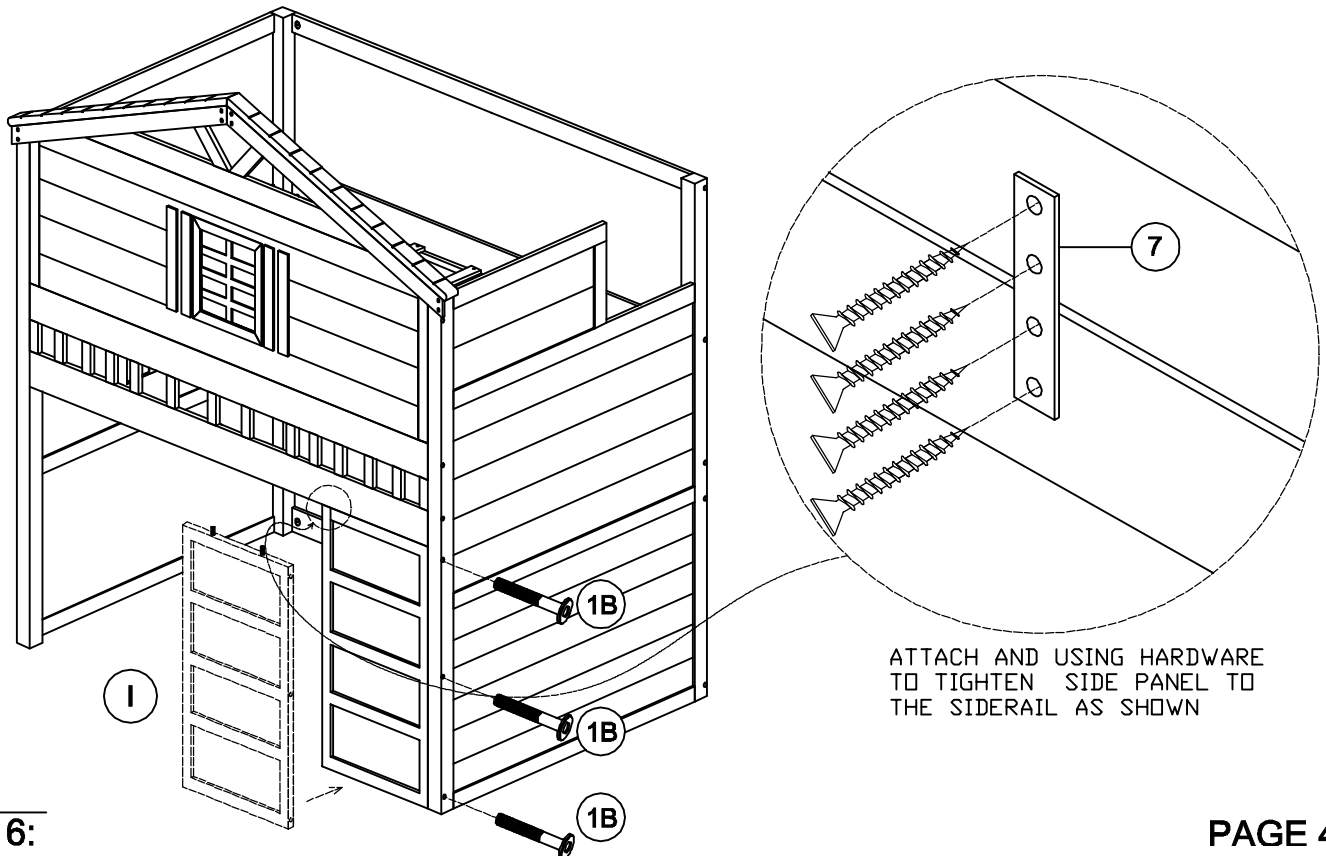
STEP 4:

# Assembly Instruction

## Boys Tree-house Loft Bed #10160



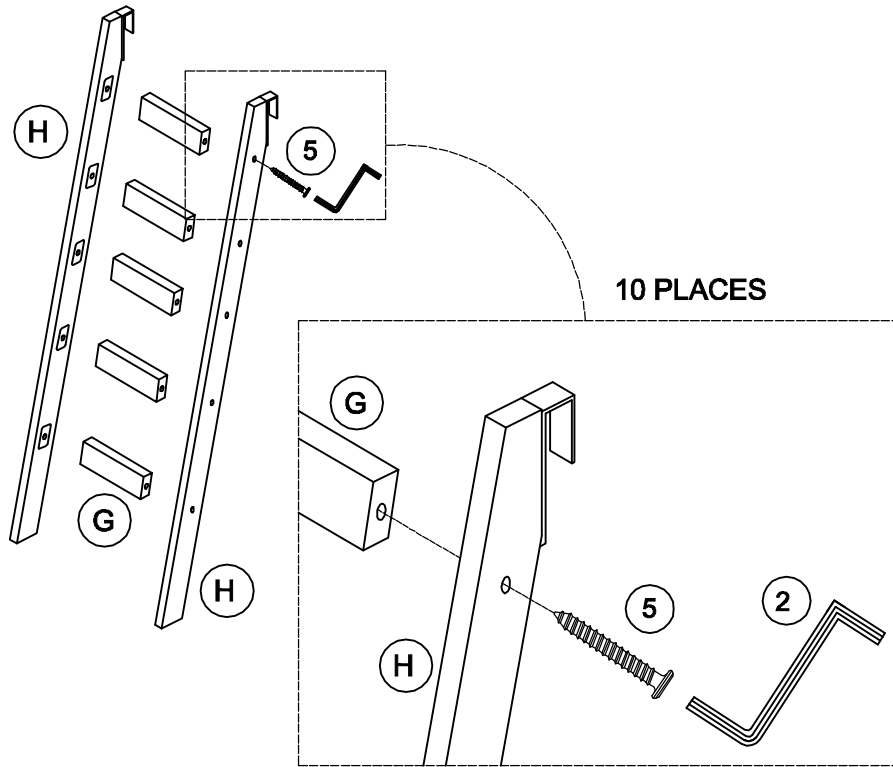
**STEP 5:**



**STEP 6:**

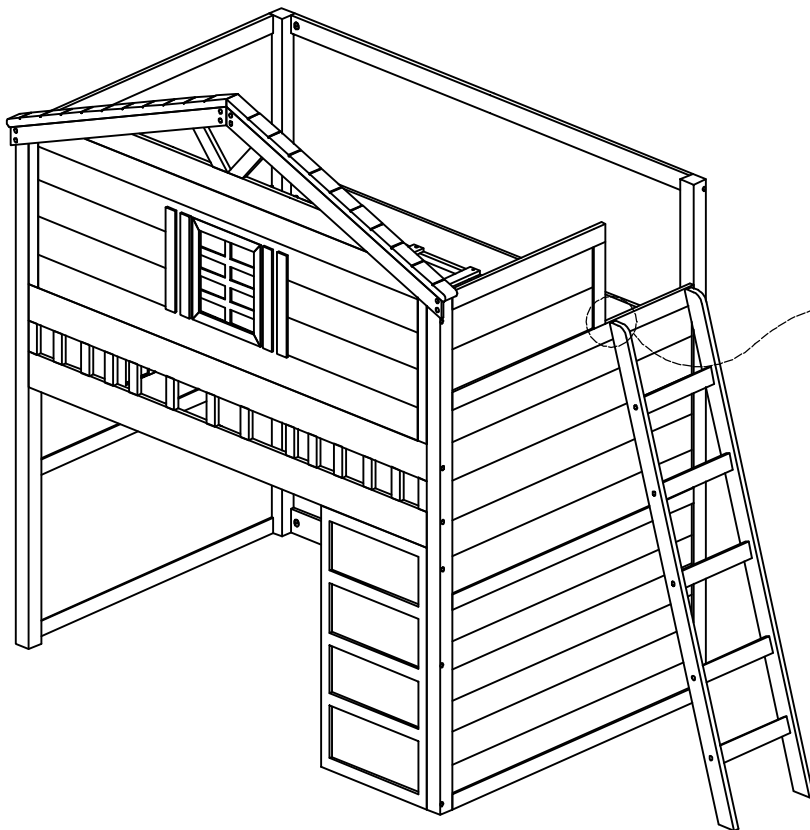
# Assembly Instruction

## Boys Tree-house Loft Bed #10160



**STEP 7:**

ASSEMBLY LADDER AS SHOWN

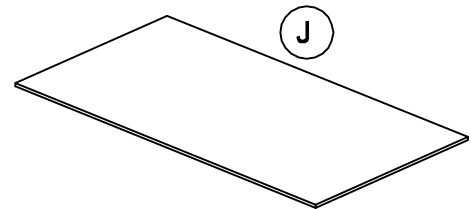
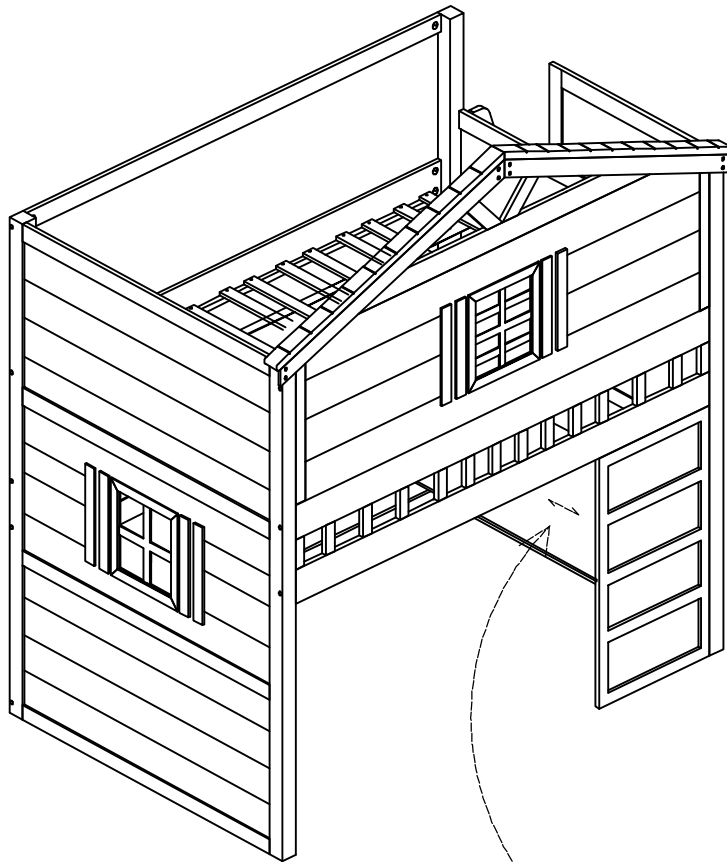


ATTACH AND TIGHTEN LADDER AS SHOWN

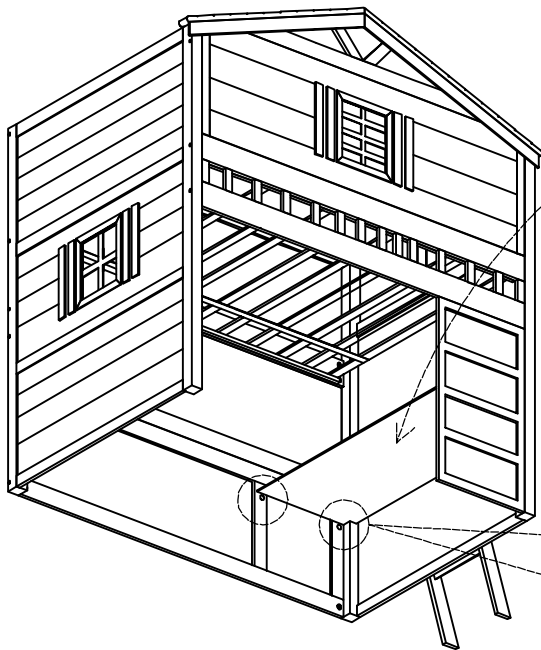
**STEP 8:**

# Assembly Instruction

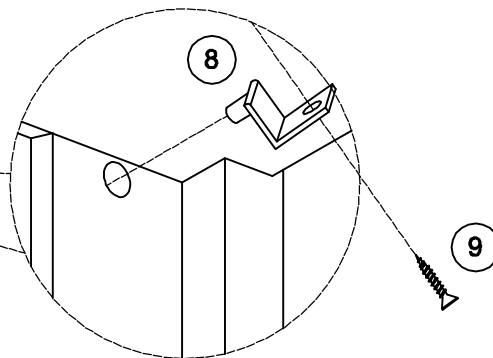
## Boys Tree-house Loft Bed #10160



ATTACH AND ASSEMBLY TABLE TOP PANEL AS SHOWN

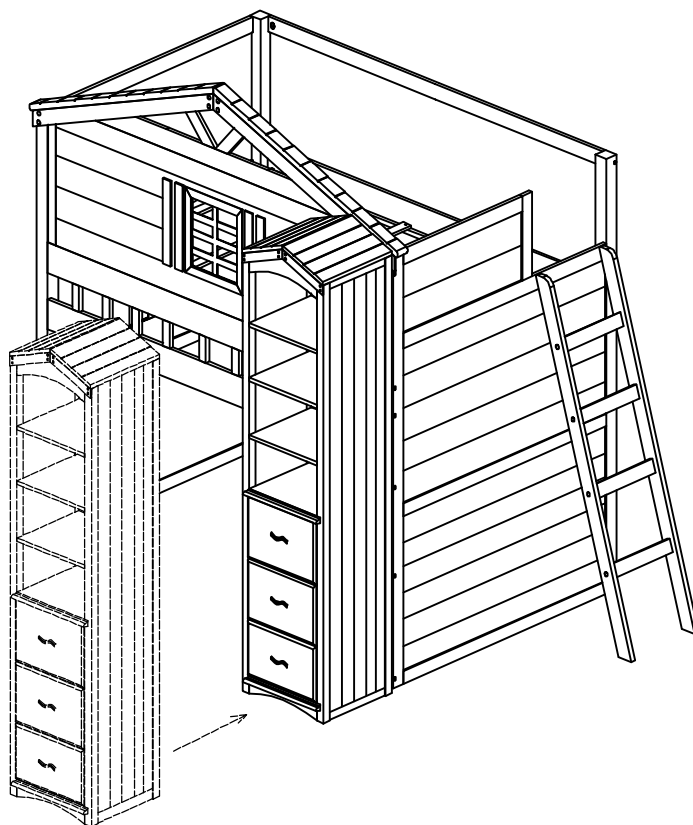


4 PLACES



# Assembly Instruction

## Boys Tree-house Loft Bed #10160



**STEP 10:**

### **WARNING**

To help prevent serious or fatal injuries from entrapment or falls:

1. Follow the information on the warning label appearing on the upper bunk end structure and on the carton. Do not remove warning label from bed.
2. Always use the recommended size mattress or mattress support, or both, to help prevent the like hood of entrapment or falls. Use only a mattress which is 74"-75" long and 37-1/2" - 38-1/2" wide on the upper bunk.
3. Ensure thickness of upper mattress does not exceed 6" and top surface of mattress is at least 5" below the upper edge of guardrails.
4. Do not allow children under 6 years to use the upper bunk.
5. Periodically check and ensure that the guardrail, ladder, and other components are in their proper position, free from damage, and that all connectors are tight.
6. Do not allow horseplay on or under the bed and prohibit jumping on the bed.
7. Always use ladder for entering and leaving upper bunk.
8. Do not use substitute parts. Contact the manufacturer or dealer for replacement parts.
9. Use of a night-light may provide added safety precaution for a child using the upper bunk.
10. Always use guardrails on both long sides of the upper bunk. If the bunk bed will be placed next to a-wall, the guardrail that runs the full length of the bed should be placed against the wall to prevent entrapment between the bed and the wall.
11. The use of water or sleep flotation mattresses is prohibited.
12. Never attach or hang items to any part of the bunk bed that are not designed for use with the bed, for example, but not limited to, hooks, belts and jump ropes.
13. Prohibit more than one person on upper bunk.
14. Maximum total weight not to exceed-150 lbs on the upper bunk, and maximum 200 lbs on lower bunk.
15. Keep these instructions for future reference.