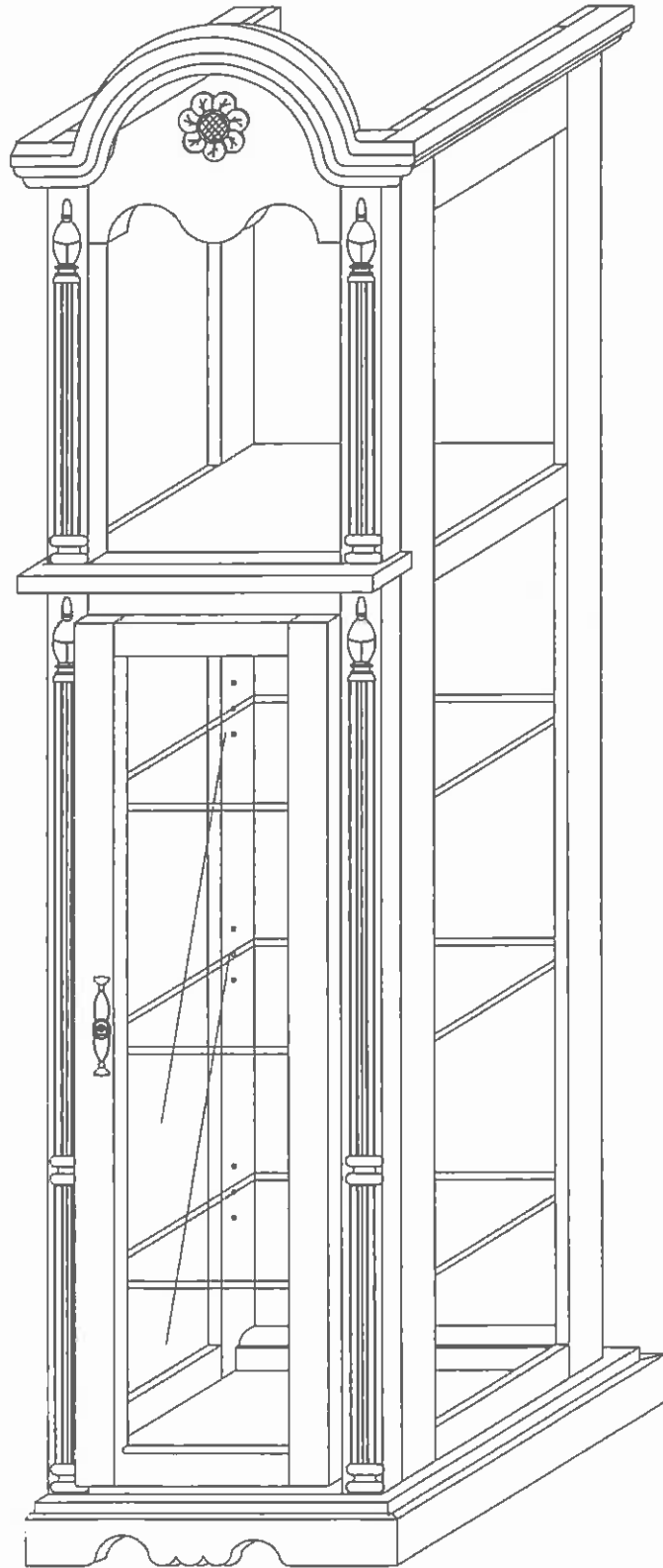


ITEM NO.2349

2349

CURIO CABINET ASSEMBLY INSTRUCTIONS



P.01

STOP!

**MISSING HARDWARE?
NO NEED TO GO BACK TO
THE STORE!**

THE STORE WHERE YOU MADE YOUR PURCHASE
DOES NOT STOCK HARDWARE FOR THIS ITEM.
IF YOU NEED HARDWARE ONLY (NUTS.BOLTS.
FNIAL.WOOD DOWEL.SCREWS.BRASS CAPS).
CALL US.AND WE WILL HAPPILY SHIP YOUR

PART.FREE OF CHARGE.

ASSEMBLY ENVIRONMENT : 50 SQ . FEET FLAT SPACE WITH
CARPET COVERED

ASSEMBLY MANPOWER : 2 MEN . PLEASE START ASSEMBLING
WITH SOMEONE'S HELP .

ASSEMBLY TIME NEEDED : 1 HOUR

** FOR EASY ASSEMBLING **

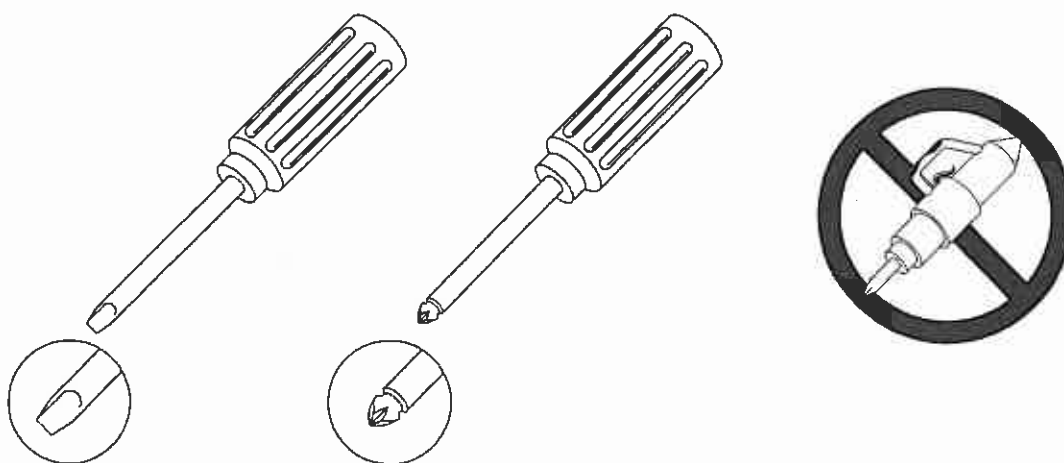
UNIT IN DIFFERENT AREA BEFORE ASSEMBLING .

PLEASE IDENTIFY/SEPERATE THE TOP UNIT AND BOTTOM

PLEASE IDENTIFY/SEPERATE THE HARDWARE IN DIFFERENT

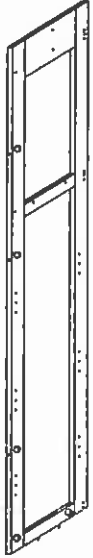
AREA BEFORE ASSEMBLING

ASSEMBLY TOOLS REQUIRED



PARTS IDENTIFICATION

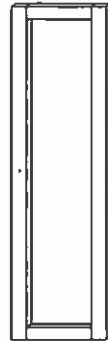
A1)SIDE FRAME(L)[1PC]



A2)SIDE FRAME(R)[1PC]



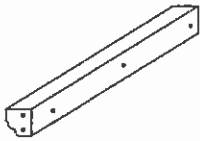
A3)DOOR FRAME[1PC]



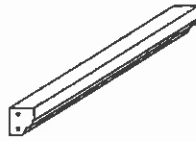
A4)CROWN MOLDING[1PC]



A5)CROWN SIDE(L)[1PC]



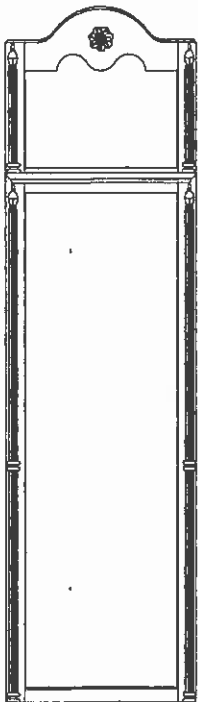
A6)CROWN SIDE(R)[1PC]



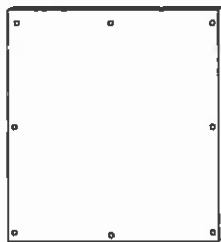
A10)TOP SHELF [1PC]



A7)FRONT FRAME[1PC]



A8)SMALL BACK PANEL [1PC]



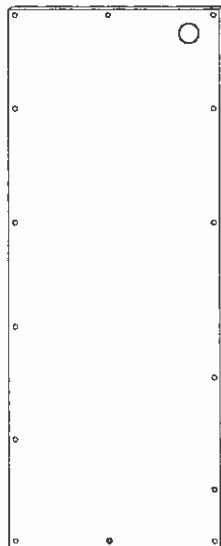
A11)SUPPORTING STRETCHER[2PCS]



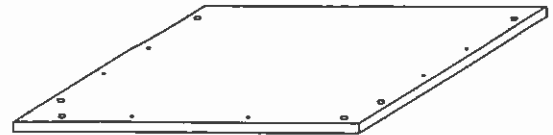
A12)STRETCHER FOR WIRE [1PC]



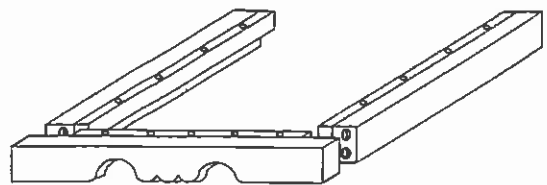
A9)BIG BACK PANEL [1PC]



A13)BOTTOM SHELF [1PC]



A14)BASE[1PC]



A15)CENTER SHELF [1PC]



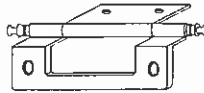
HARDWARE IDENTIFICATION

HARDWARE FOR THIS UNIT DOES NOT HAVE A LABEL ON IT . USE THIS HARDWARE IDENTIFICATION LIST TO HELP IDENTIFY HARDWARE .

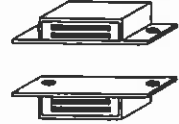
C1-1.) DOOR HANDLE[1PC]
C1-2.) WING BOLT[1PC]



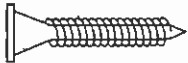
C2.) DOOR HINGE[3PCS]



C3.) MAGNET[2PCS]



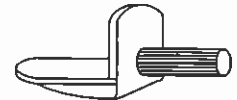
C4.) WOOD SCREW 3/4"L
[4PCS]



C5.) GLASS HOLDER[22PCS]



C6.) GLASS SHELF HOLDING PIN[12PCS]



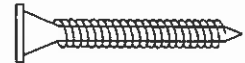
C7.) NAIL[2PCS]



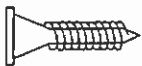
C8.) SOCKET W/POWER CORD [1PC]



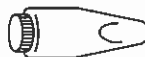
C9.) WOOD SCREW 1 "L
[6PCS]



C10.) WOOD SCREW 1/2"L[58PCS]



C11.) GLUE[1PC]



C12.) WOOD DOWEL 25M/M
[50PCS]



C13.) CAM BOLT[18PCS]



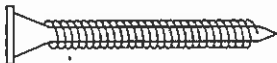
C14.) CAM LOCK[18PCS]




C15.) BOLT 3/4" [1PC]

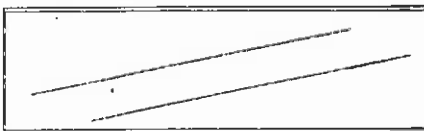


C16.) WOOD SCREW 1 1/4"L[4PCS]



P.S. EXTRA 2 PCS OF PLASTIC DOWEL FOR IN CASE. []

B1)BIG BACK MIRROR [1PC]



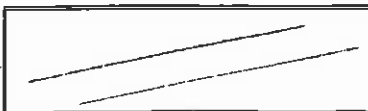
B2)SMALL BACK MIRROR [1PC]



B6)GLASS SHELF [3PCS]



B3)BIG GLASS [2PCS]



B4)DOOR GLASS [1PC]



B5)SMALL GLASS [2PCS]



IMPORTANT ASSEMBLY TECHNIQUES

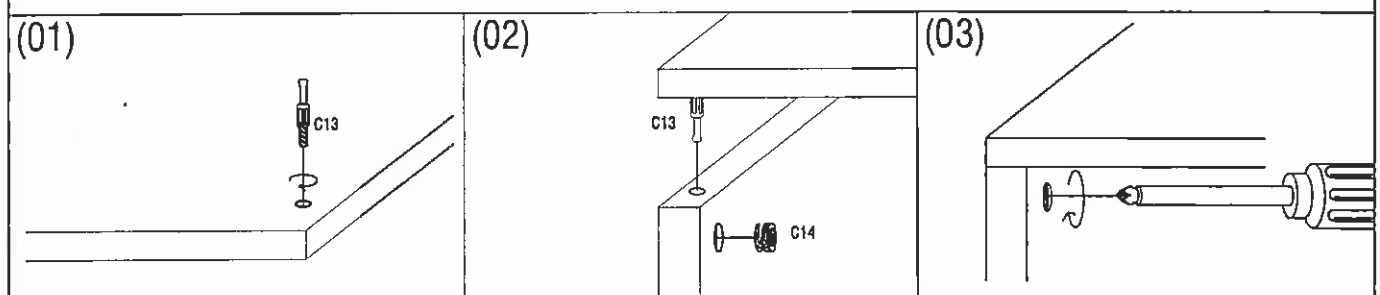
HIDDEN CONNECTOR ASSEMBLY TECHNIQUES FOR CAM LOCK & CAM BOLT

1 SET INCLUDES:

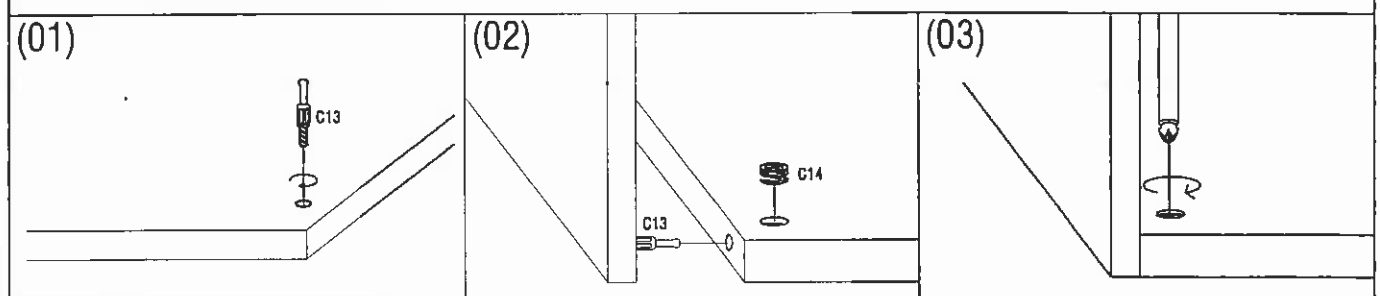
CAM LOCK 1 PC.(C14) CAM BOLT 1 PC (C13)

- STEP 1.** SCREW CAM BOLT (C13) ONTO PRE-SET PLASTIC NUT ON PANEL. USE A FLAT HEAD SCREWDRIVER FOR TIGHTENING. ATTENTION: DO NOT OVERTIGHTEN THE CAM BOLT (C13).
- STEP 2.** ATTACH BOTH PANELS, MAKE SURE YOU HAVE INSERT THE CAM BOLT TO THE VERY DEPTH OF THE HOLE WITH RUBBER Mallet GENTLY. CAUTION: DO NOT USE HAMMER. THEN INSERT CAM LOCK (C14) INTO PRE-DRILLED HOLE ON PANEL, MAKE SURE THE ARROW SIGN " ➡ " ON CAM BOLT (C13) SET IN PANEL POINT TOWARD THE HOLE INTO WHICH THE CAM BOLT (C13) HAS BEEN INSERTED AND INSERTED THE CAM LOCK (C14) TO THE VERY DEPTH OF THE HOLE.
- STEP 3.** TIGHTEN BY TURNING THE CAM LOCK (C14) CLOCKWISE.

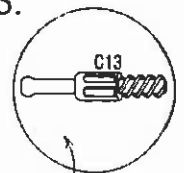
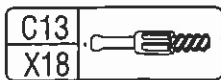
VERTICAL CONNECTION



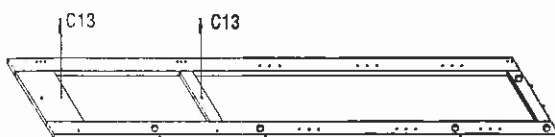
HORIZONTAL CONNECTION



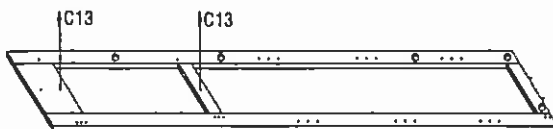
INSERT CAM BOLTS INTO FOLLOWING WOODEN PARTS AS ILLUSTRATIONS.



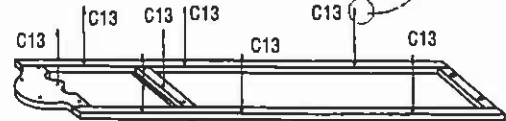
A1)SIDE FRAME(L)[1PC]



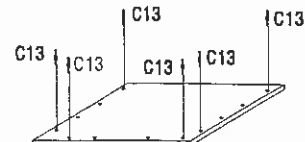
A2)SIDE FRAME(R)[1PC]



A7)FRONT FRAME[1PC]



A13)BOTTOM SHELF [1PC]

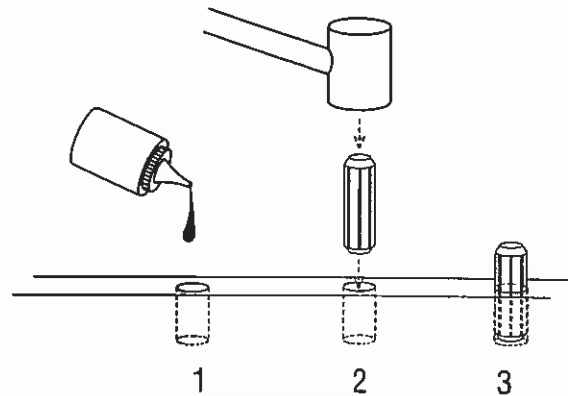


IMPORTANT ASSEMBLY TECHNIQUES

ASSEMBLE ON A FLAT, SOFT SURFACE SUCH AS A CARPET OR CLOTH TO PREVENT SCRATCHING FINISH

WOODEN DOWEL INSTALLATION PROCEDURE :

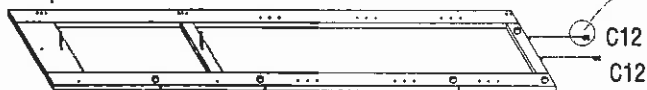
- 1.) FILL HOLE 1/4 FULL OF GLUE.
- 2.) GENTLY TAP DOWEL INTO HOLE
DO NOT USE HAMMER.
- 3.) WIPE AWAY EXCESS GLUE.



INSERT WOOD DOWEL INTO FOLLOWING PARTS BEFORE ASSEMBLING.



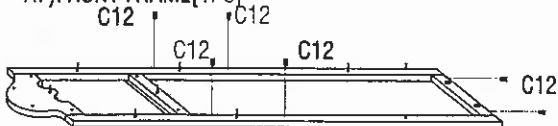
A1)SIDE FRAME(L)[1PC]



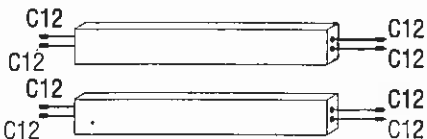
A2)SIDE FRAME(R)[1PC]



A7)FRONT FRAME[1PC]



A11)SUPPORTING STRETCHER[2PCS]



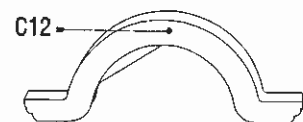
A12)STRETCHER BOR WIRE [1PC]



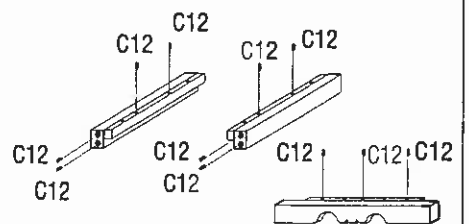
A10)TOP SHELF [1PC]



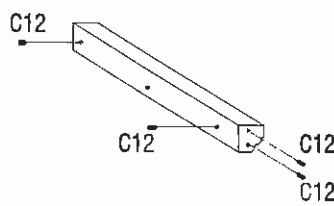
A4)CROWN MOLDING[1PC]



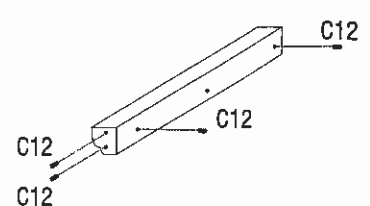
A14)BASE[1PC]



A6)CROWN SIDE(R)[1PC]



A5)CROWN SIDE(L)[1PC]

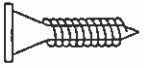



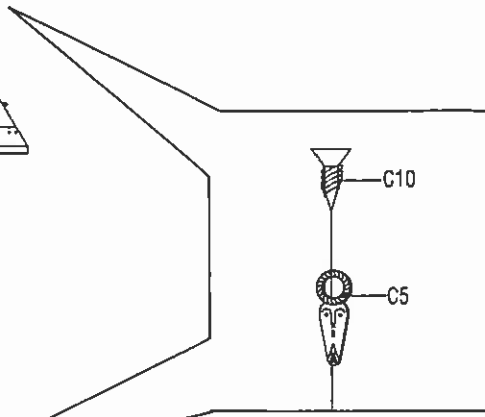
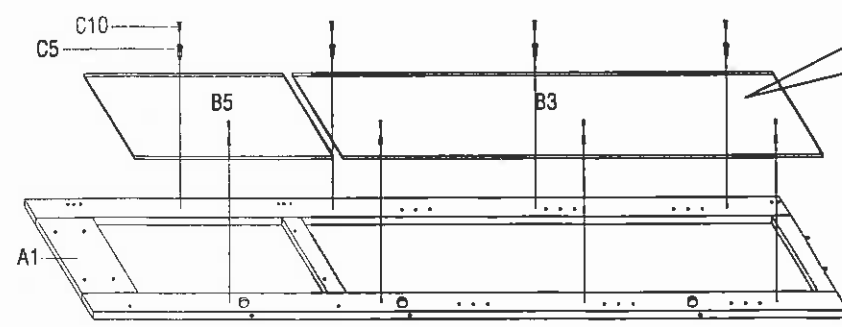
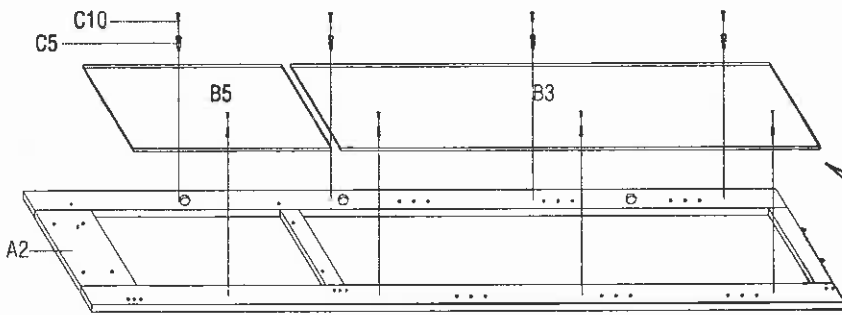
A15)CENTER SHELF [1PC]



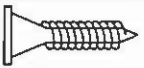






1

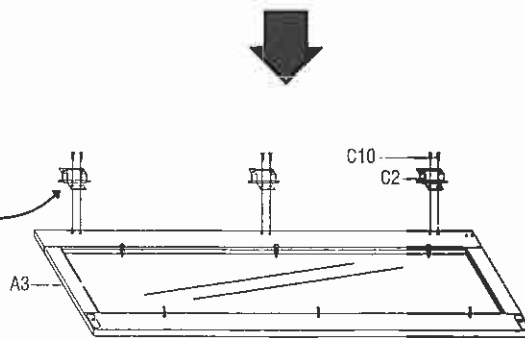
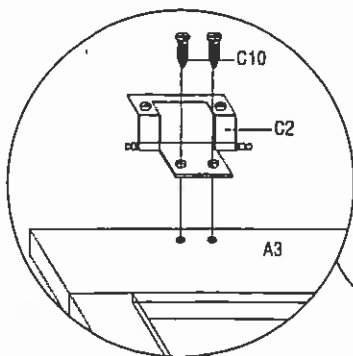
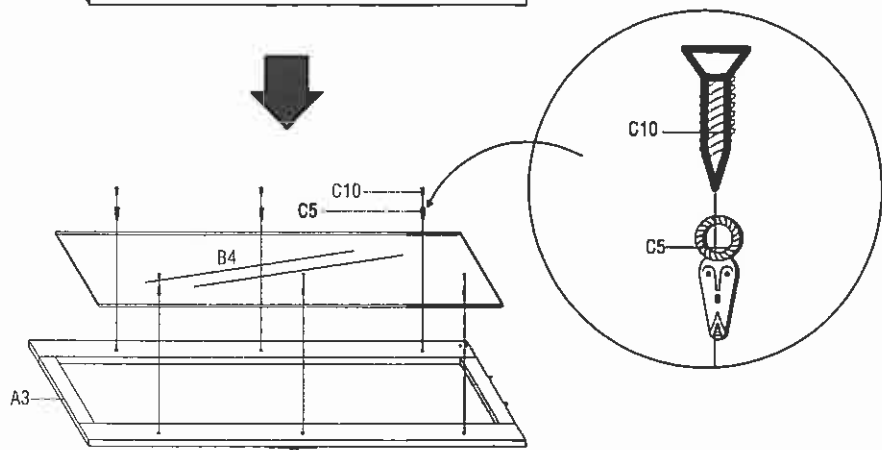
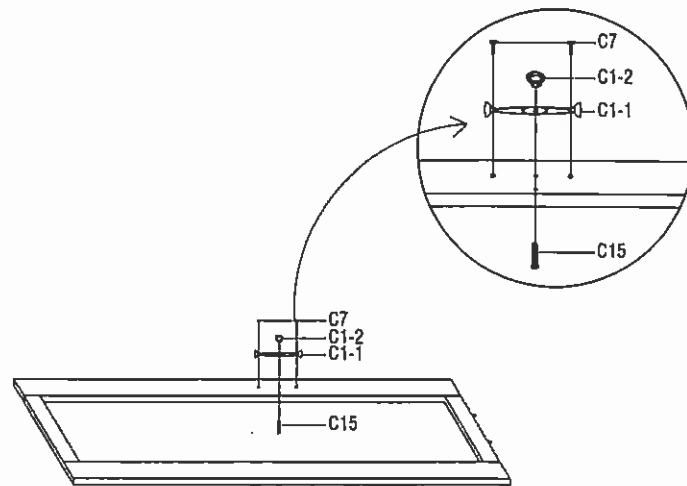
ATTACH BIG AND SMALL GLASSES (B3, B5) TO SIDE FRAMES (L & R)(A1 & A2), BY USING WOOD SCREWS (C10) AND GLASS HOLDERS (C5) .

C10	
X16	1/2"
C5	
X16	





2 ATTACH DOOR HANDLE AND WING BOLT (C1-1 AND C1-2) ON DOOR FRAME (A3) BY USING BOLT (C15) AND NAILS (C7) AS ILLUSTRATION. APPLY HAMMER TO GENTLY FIX NAILS ONTO DOOR HANDLE (C1).
 ATTACH DOOR GLASS (B4) TO DOOR FRAME (A3) BY USING WOOD SCREWS (C10) AND GLASS HOLDERS (C5).
 ATTACH HINGES (C2) TO DOOR FRAME (A3) BY USING WOOD SCREWS (C10) AS SHOWN.

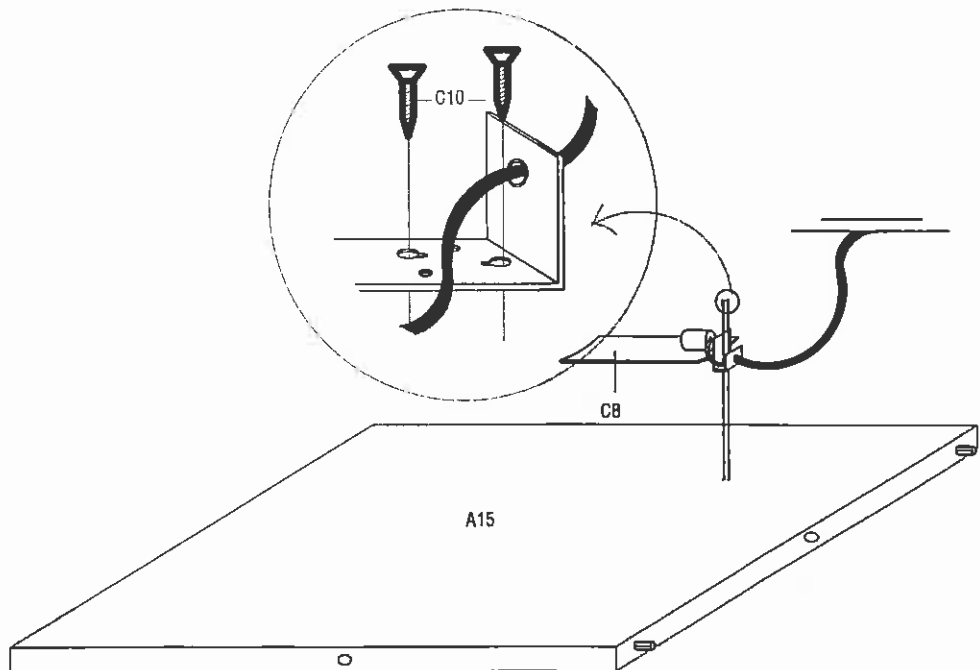
C10	
X12	1/2"
C5	
X6	
C2	
X3	
C15	
X1	3/4"
C7	
X2	
C1-1	
X1	
C1-2	
X1	



3

ATTACH SOCKET W/POWER CORD (C8) ONTO CENTER SHELF (A15) BY USING WOOD SCREWS (C10).

C10	
X 2	1/2"
C 8	
X 1	

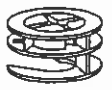


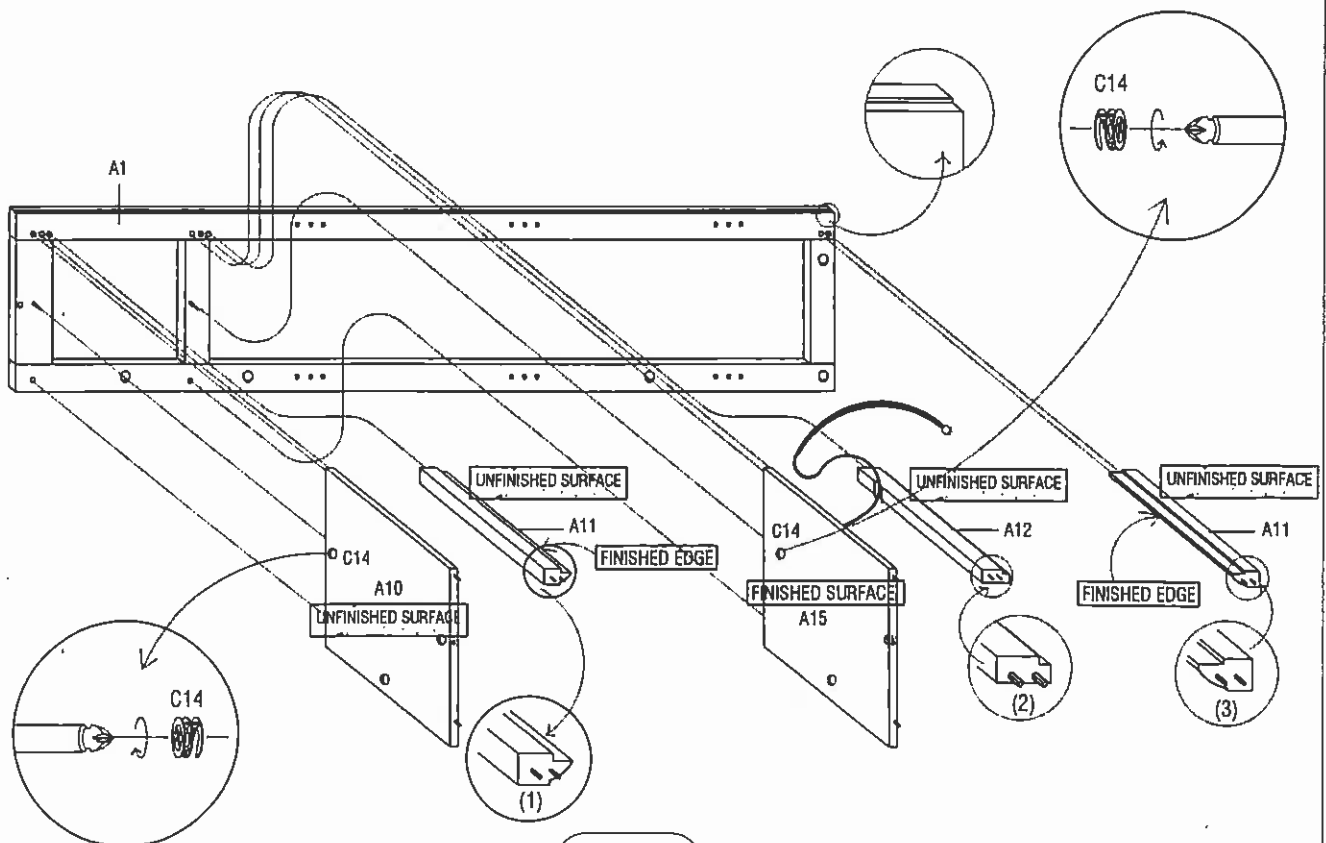
4

ATTACH TOP SHELF (A10) , STRETCHER FOR WIRE (A12) , CENTER SHELF (A15),SUPPORTING STRETCHER (A11) TO SIDE FRAME (L) (A1).

INSERT CAM LOCKS (C14) INTO PRE-DRILLED HOLES ON SHELVES AND TIGHTEN BY TURNING THE CAM LOCKS (C14) CLOCKWISE.

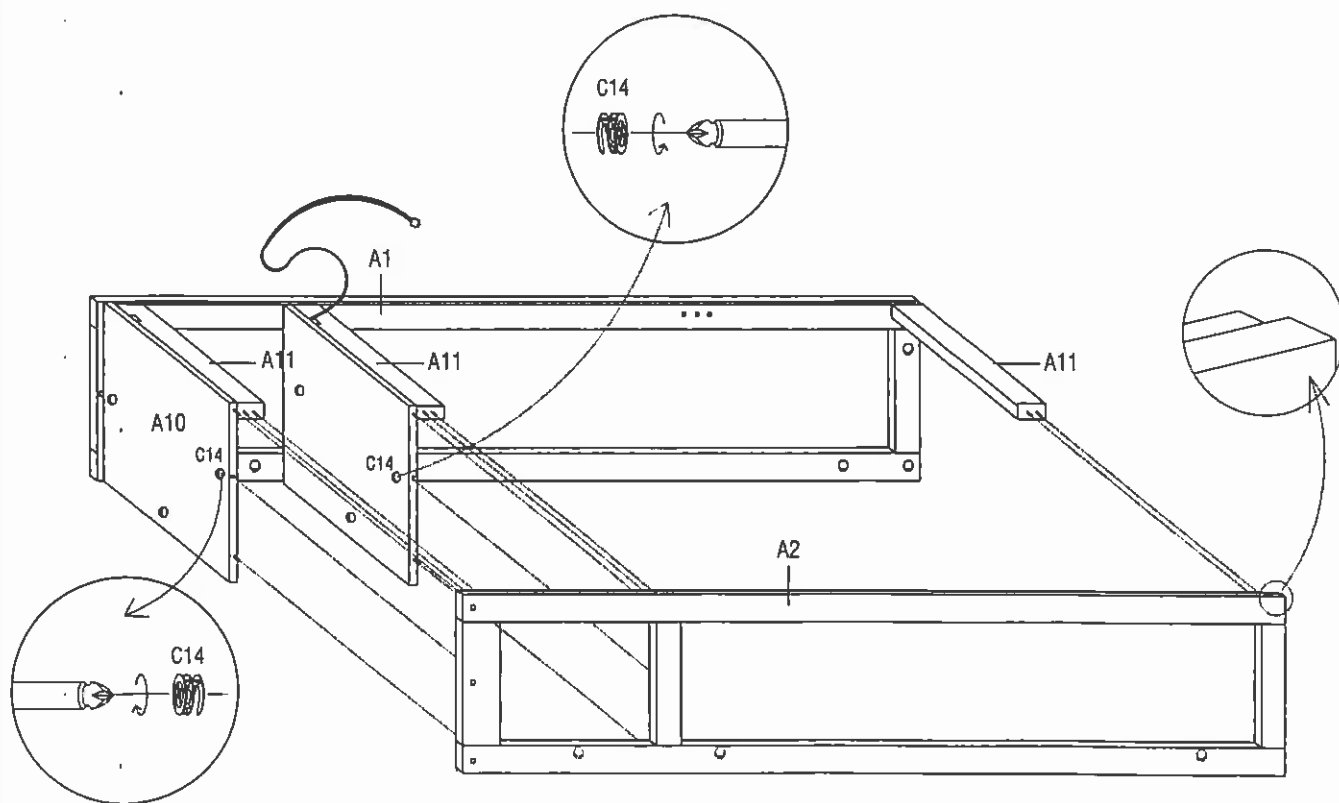
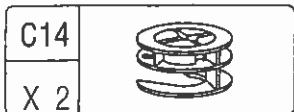
NOTE : WHEN ATTACHING STRETCHERS (A11 , A12) TO SIDE FRAME (A1) PLEASE MAKE SURE THE EDGES' DIRECTIONS AS SKETCHES (1)(2)(3) SHOWN .

C14	
X 2	



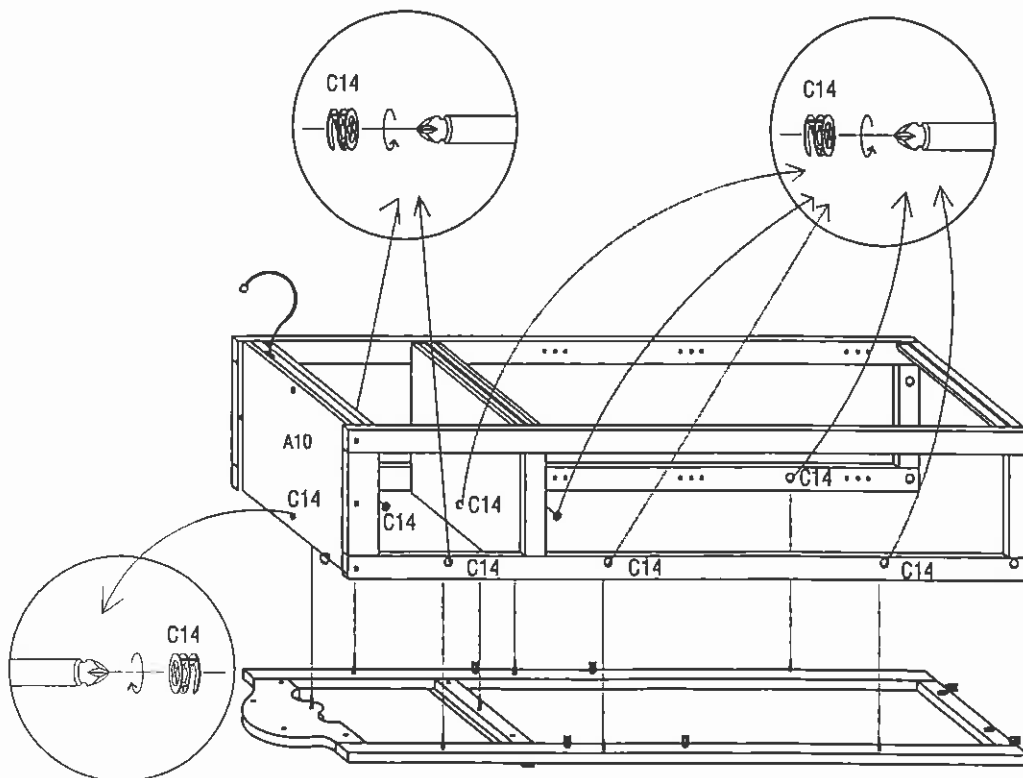
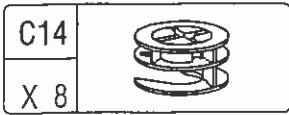
5

ATTACH SIDE FRAME (R) (A2) WITH THE UNIT BY INSERT CAM LOCKS (C14) INTO PRE-DRILLED HOLES ON SHELVES AND TIGHTEN BY TURNING THE CAM LOCKS (C14) CLOCKWISE.



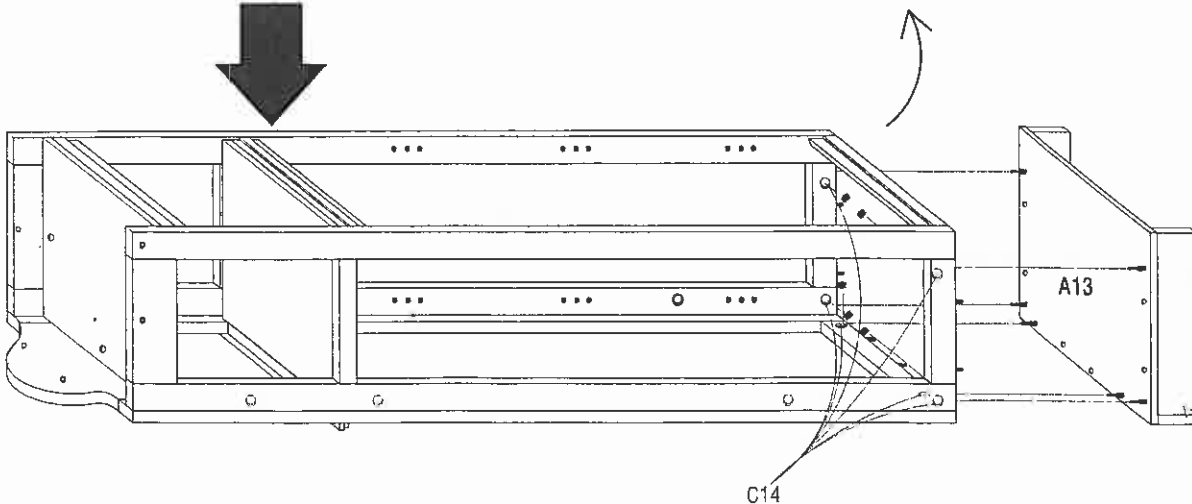
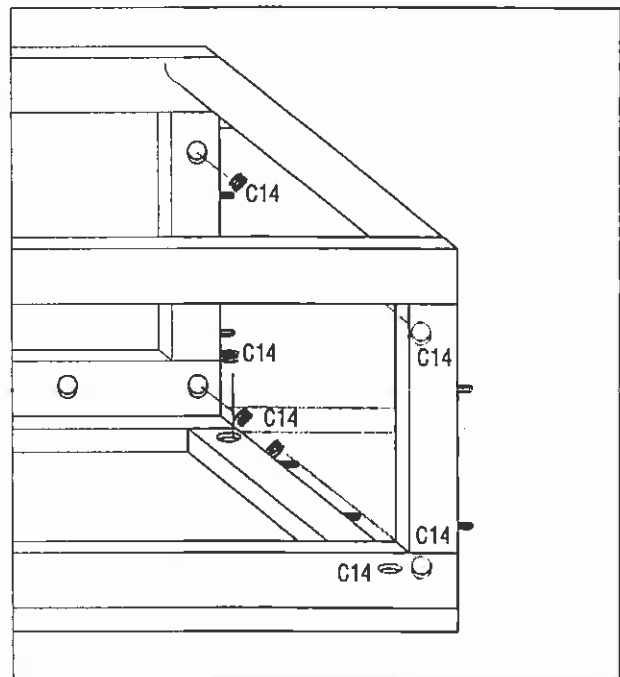
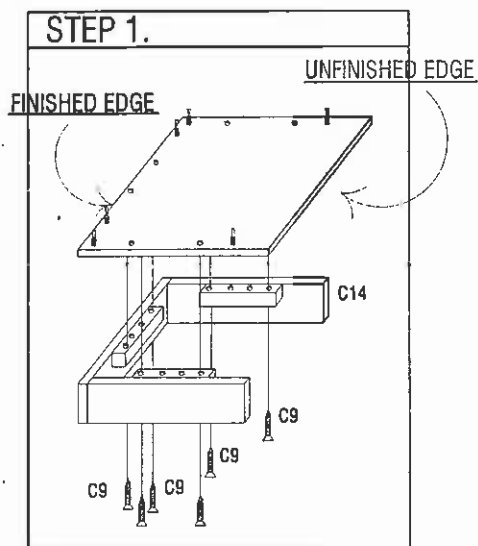
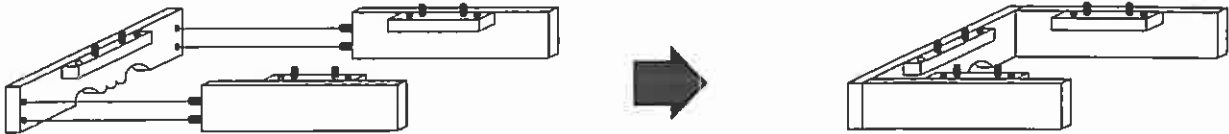
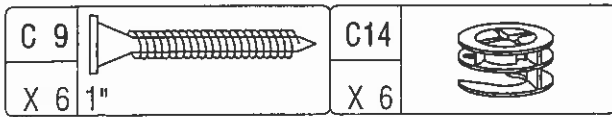
6

PLACE FRONT FRAME (A7) FACE DOWN.
PLACE THE UNIT ON FRONT FRAME (A7)
INSERT CAM LOCKS (C14) INTO PRE-DRILLED HOLE ON
SHELVES AND FRAME AND TIGHTEN BY TURNING THE CAM
LOCKS (C14) CLOCKWISE.

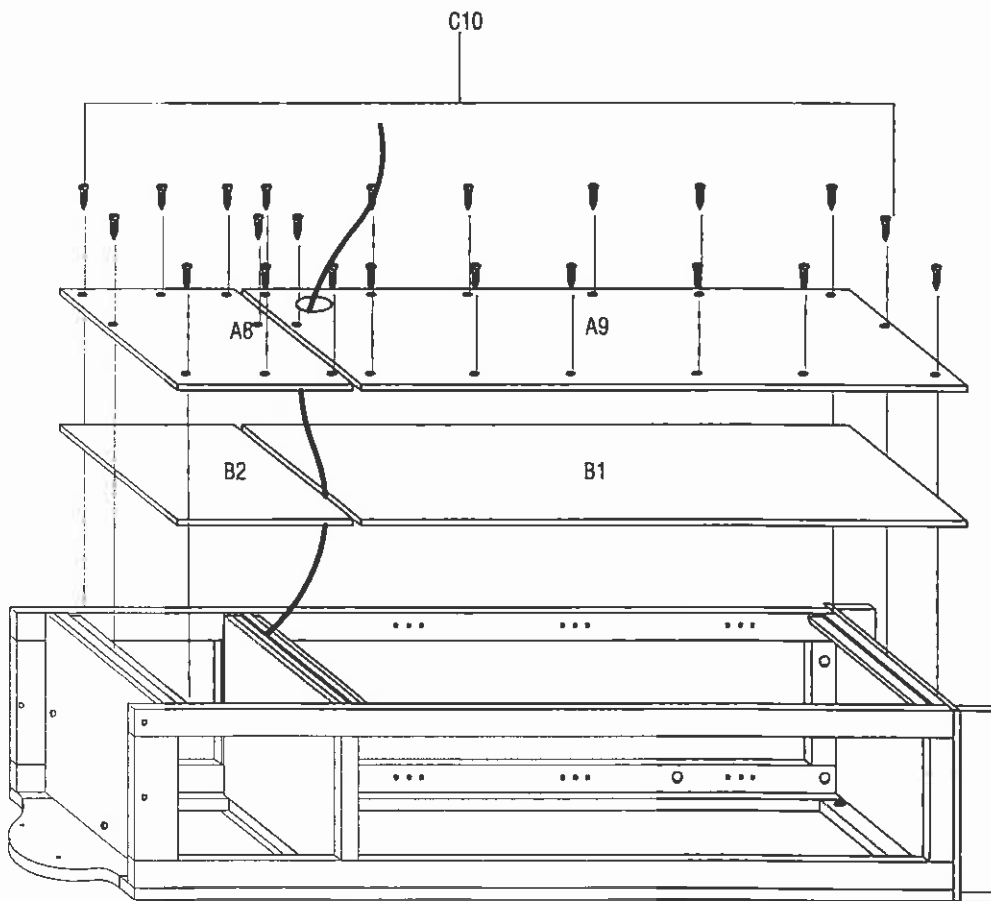
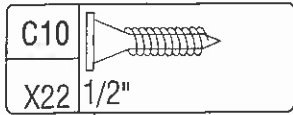


7

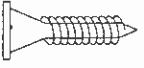
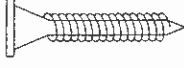


ASSEMBLE BASE (A14) AS ILLUSTRATION SHOWS.
ATTACH ASSEMBLED BASE (A14) ON BOTTOM SHELF (A13)
BY USING WOOD SCREWS (C9).
INSERT CAM LOCKS (C14) INTO PRE-DRILLED HOLES ON
FRAMES (A1, A2, A7) THEN, TIGHTEN.

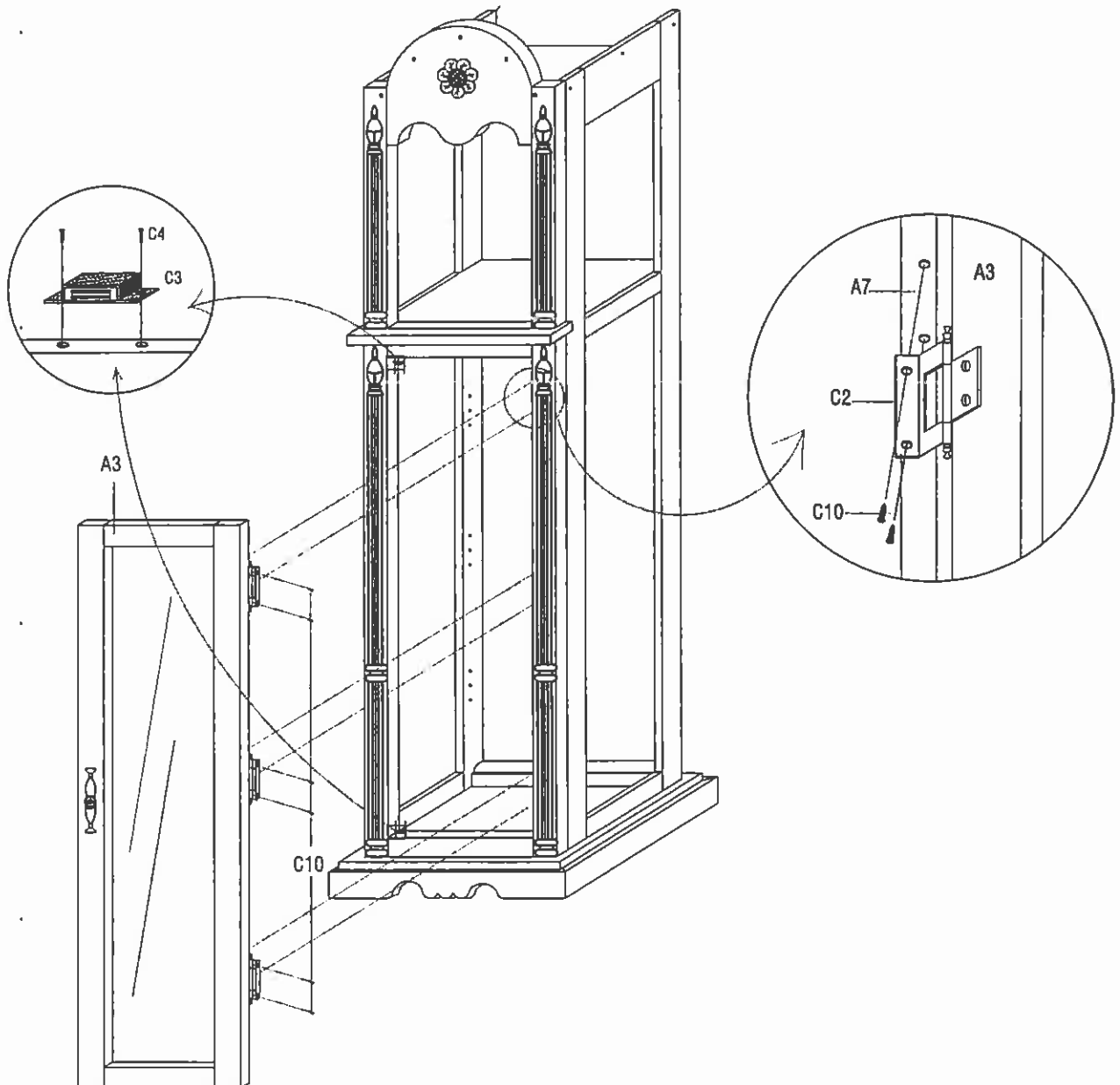


8 ATTACH BIG AND SMALL MIRRORS (B2, B1) ON THE UNIT, THEN ATTACH BACK PANELS (A8, A9) BY USING WOOD SCREWS (C10).



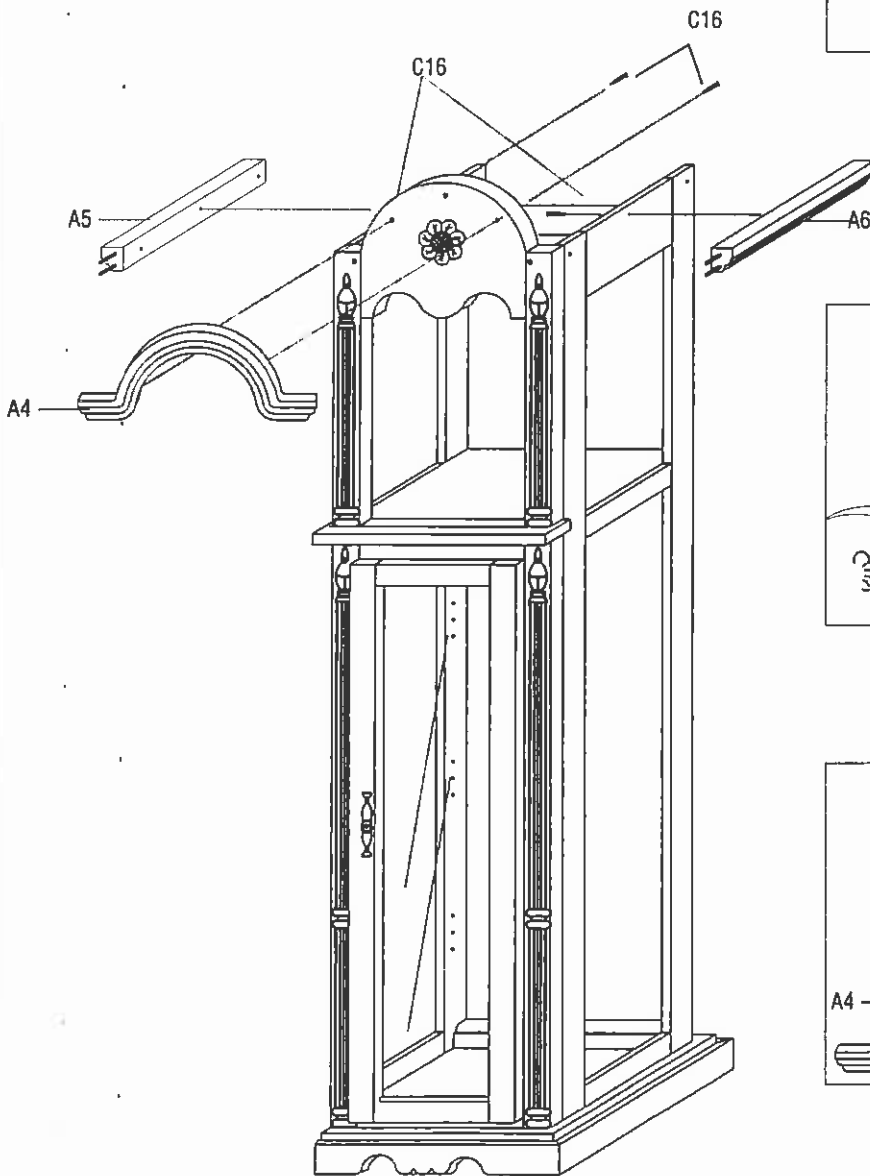
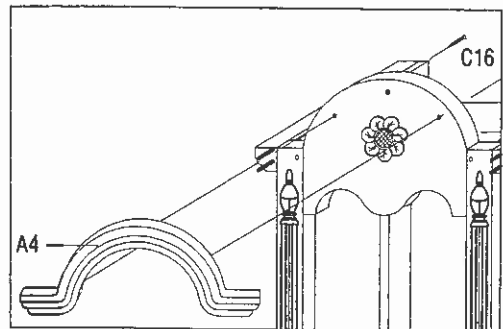
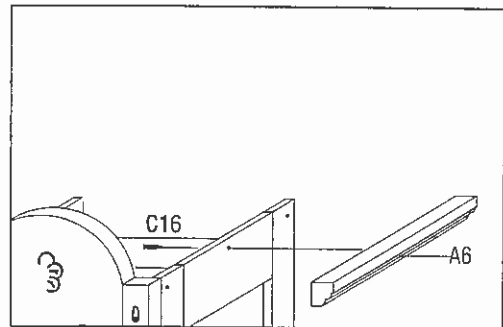
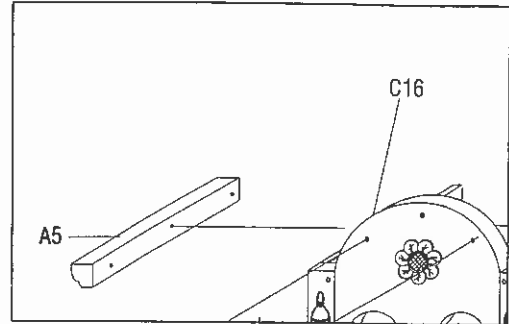
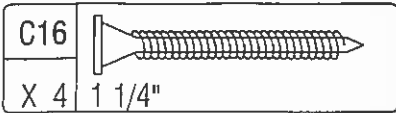
9 MOVE THE UNIT TO STAND UPRIGHT IN NORMAL POSITION.
 ATTACH DOOR HINGES (C2) ON FRONT FRAME (A7) BY USING
 WOOD SCREWS (C10).
 ATTACH MAGNETS (C3) ON FRONT FRAME (A7) BY USING WOOD SCREWS (C4) AS
 ILLUSTRATION.

C10		C 4		C 3		
X 6	1/2"	X 4	3/4"	X 2		



10

FIRST ATTACH CROWN SIDE (L) (A5) ON SIDE FRAME (L) (A1) BY USING WOOD SCREW (C16) .
ATTACH CROWN SIDE (R) (A6) ON SIDE FRAME (R) (A2) BY USING WOOD SCREW (C16) .
ATTACH CROWN MOLDING (A4) ON FRONT FRAME (A7) BY USING WOOD SCREWS (C16) .



11

INSERT GLASS SHELF HOLDING PINS (C6) TO THE SIDE FRAMES (A1, A2) AT THE DESIRED HEIGHT. INSTALL 3 GLASS SHELVES (B6) ONTO GLASS SHELF HOLDING PINS (C6). NOW THE CURIO CABINET IS READY TO USE.

